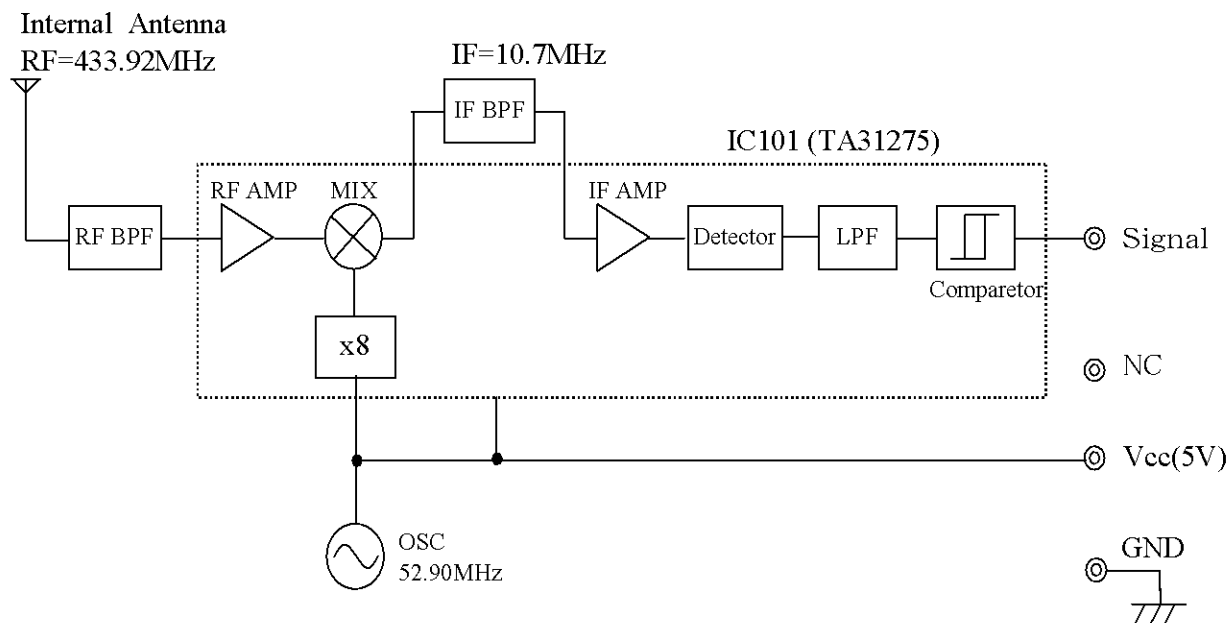


DOCUMENT No. TWC1G124	TITLE Block Diagram	PAGE
BACKGROUND		

Block Diagram



Function Description

- Internal Antenna: To receive RF signal from Transmitter (433.92MHz signal)
- RF BPF: Band-pass Filter for RF signal (433.92MHz signal)
- RF AMP: Amplifier for RF signal (433.92MHz signal)
- OSC/x8: To make local oscillation ($52.90\text{MHz} \times 8 = 423.22\text{MHz}$)
- MIX: To make IF signal (10.7MHz signal)
- IF BPF: Band-pass Filter for IF signal (10.7MHz signal)
- IF AMP: Amplifier for IF signal (10.7MHz signal)
- Detector/LPF/Comparator: To demodulate IF signal and output demodulated signal to BCM