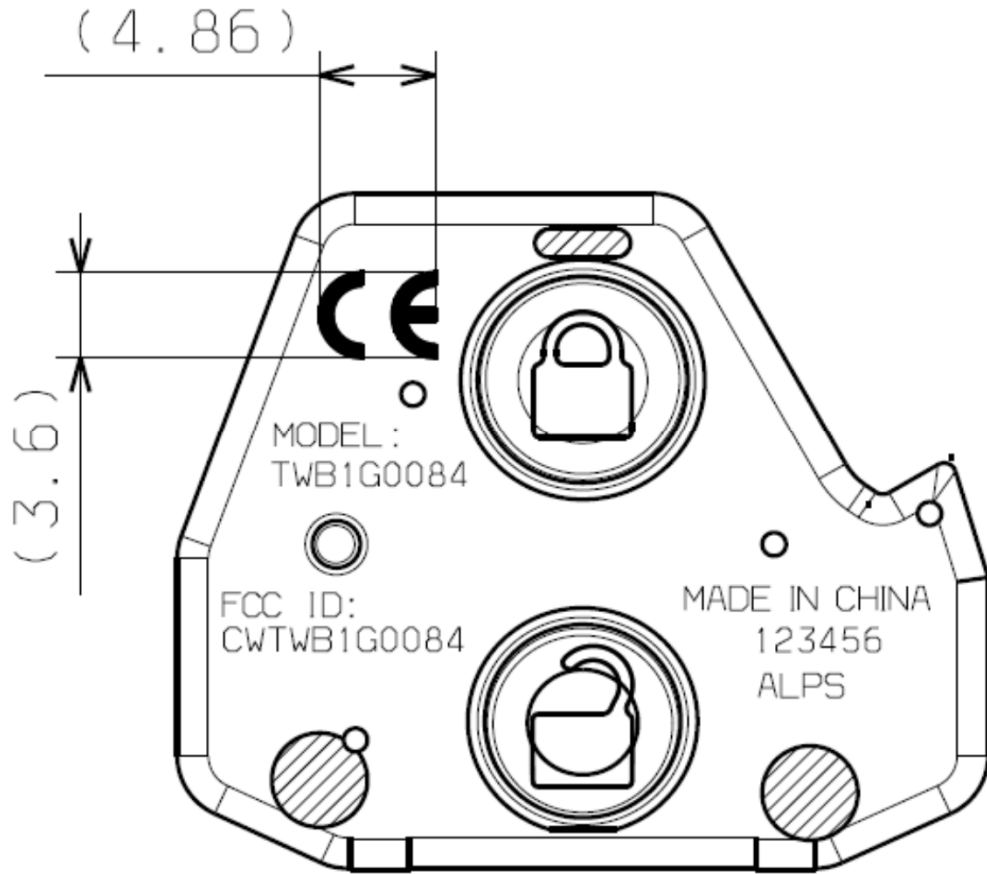


It will be indicate the mark by laser etching on outer case.



FCC ID including "FCC ID:" cannot be indicated in one line as the product is small and there is only a limited space.