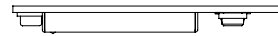


ANT CONNECTOR

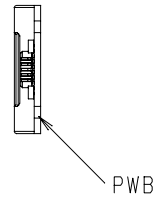
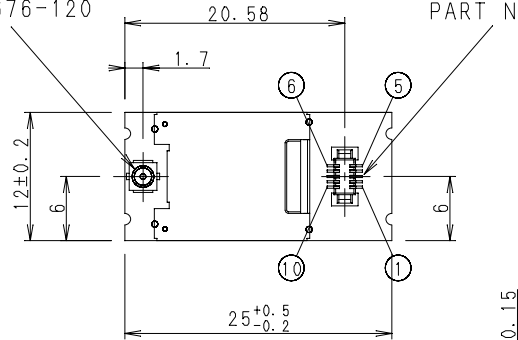
HIROSE Electric CO., LTD
PART NO. : U.FL-R-SMT

or
J. S. T. Mfg. Co., Ltd.
PART NO. : AYU1-1P-02676-120



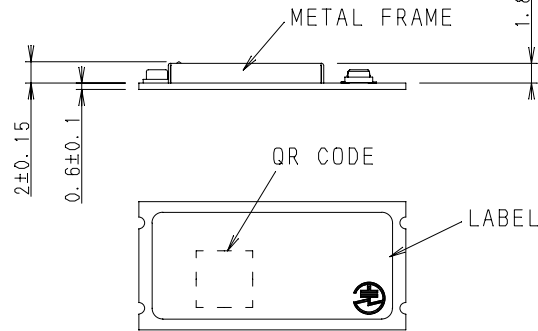
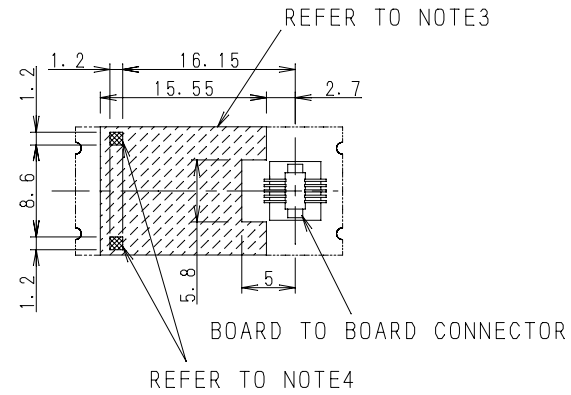
BOARD TO BOARD CONNECTOR

Matsushita Electric Works, Ltd.
PART NO. : AXK6F10347Y



PWB

RECOMMENDED PAD DIMENSIONS FOR MOUNTING MODULE
(GENERAL TOLERANCE: ±0.2)



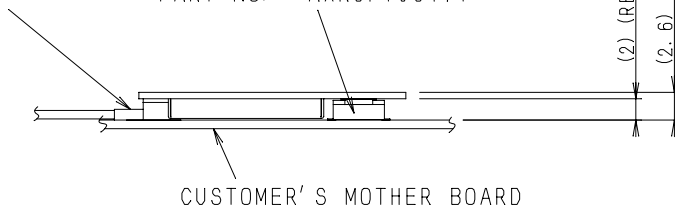
- NOTE 1. ALL TOLERANCES ARE ±0.5 UNLESS OTHERWISE SPECIFIED.
 2. LOT NO. MUST COMPLY WITH ALPS NUMBERING RULES.
 3. PCB PATTERN ON TOP LAYER IN THIS AREA MUST BE COVERED WITH SOLDER STOP RESIST.
 4. PCB ARTWORK (WIRING, THROUGH HOLES ETC.) MUST NOT BE PLACED IN THIS AREA ON TOP LAYER.
 5. THESE DIMENSIONS ARE REFERENCE ONLY.

ANT PLUG

HIROSE ELECTRIC CO., LTD
PART NO. U.FL-LP(V)-040

BOARD TO BOARD CONNECTOR

Matsushita Electric Works, Ltd.
PART NO. : AXK5F10547Y



PIN NO.	CONTENTS
1	GND
2	CO-EX CH_CLK
3	PI03#(Input for AutoPairing)
4	NC
5	GND
6	PI07 (LED for AutoPairing)
7	D+
8	D-
9	CO-EX CH_DATA
10	Vcc_3.3V

PRELIMINARY

ALPS PROPRIETARY INFORMATION
CONFIDENTIAL REQUESTED

	UGPZ6-***
CUSTOMER'S MODEL NO.	ALPS MODEL NO.

PART NO.	NAME	MATERIAL	SPEC.	FINISH		
ALPS ELECTRIC CO., LTD.						
	DSGD.	Nov. 24, '06 Y. Watanabe	SCALE	2 : 1		
	CHKD.		TITLE	UGPZ6 ASSEMBLY DRAWING		
	APPD.	Nov. 24, '06 Y. Watanabe			UNIT	m m
ZONE	SYMB.	DATE	OR NO.	APPD.	CHKD.	DSGD.