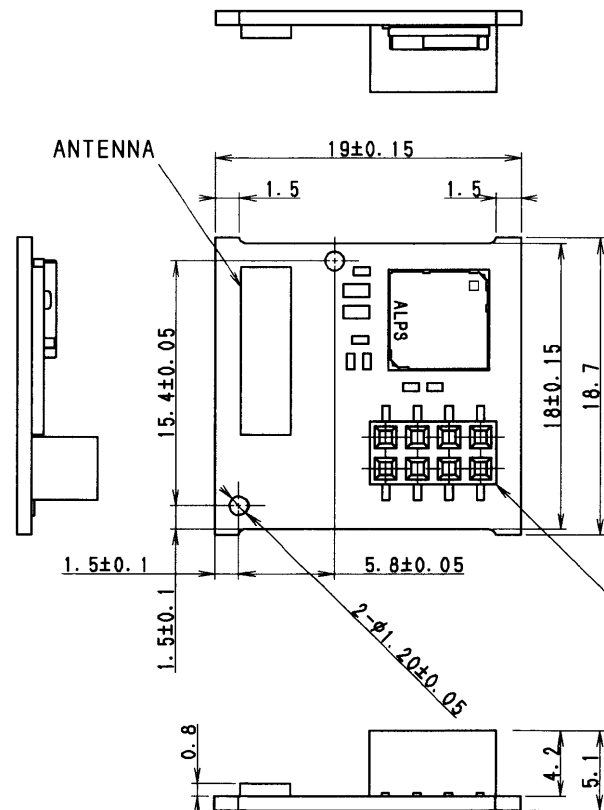
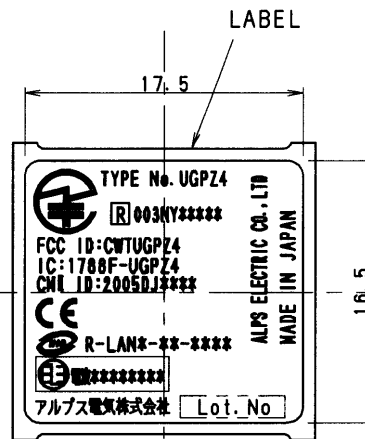


ENG1

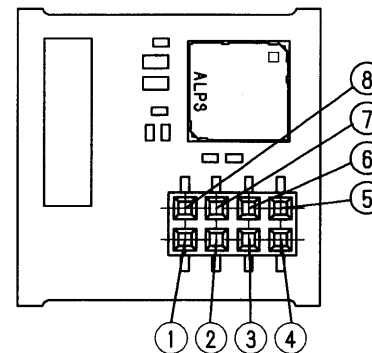
PRELIMINARY



CONNECTOR/RECEPTACLE (8pin)
IRISO ELECTRONICS CO., LTD.
PARTS NO. : 9706S-08B-T



PIN No.
(ORIENTATION FROM TOP MODULE)

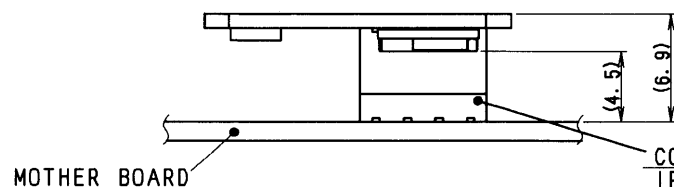


PIN No.	CONTENTS
1	GND
2	NC
3	UART_RTS
4	UART_RXD
5	UART_TXD
6	UART_CTS
7	VCC
8	GND

NOTE

1. Tolerances are ±0.4, unless otherwise specified.
2. Label's color are white.
3. As for handling the product, wear gloves, earth band.

[REFERENCE]



CONNECTOR/RECEPTACLE (8pin)
IRISO ELECTRONICS., LTD.
PARTS NO. :

	UGPZ4X***A
CUST. MODEL NO.	ALPS MODEL NO.

PART NO.	NAME	MATERIAL	SPEC.	FINISH
ALPS ELECTRIC CO., LTD.				
DSGD.	Apr. 25, '05 Y. Saito	SCALE	3 : 1	
CHKD.		UNIT	mm	
APPD.	Apr. 25, '05 H. Watanabe	TITLE	UGPZ4 ASSEMBLY DRAWING	
ZONE	SYMB.	DATE	OR NO.	APPD. CHKD. DSGD.

KEY NO.