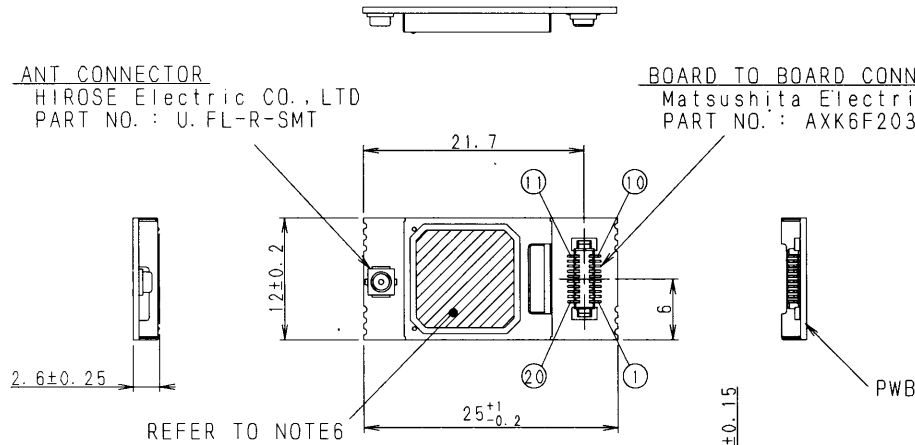


CONFIDENTIAL

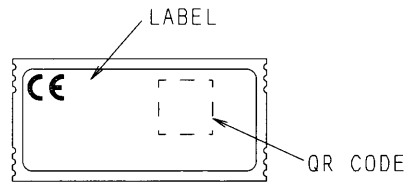
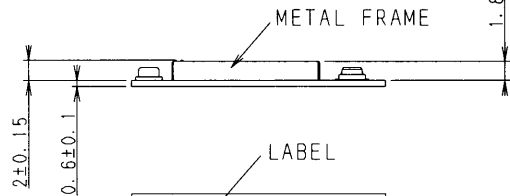
ANT CONNECTOR
HIROSE Electric CO., LTD
PART NO. : U. FL-R-SMT

BOARD TO BOARD CONNECTOR
Matsushita Electric Works, Ltd.
PART NO. : AXK6F20345



REFER TO NOTE6

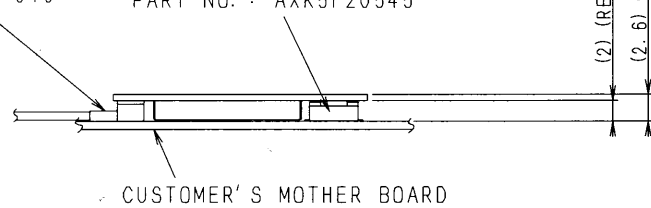
- NOTE 1. ALL TOLERANCES ARE ±0.5 UNLESS OTHERWISE SPECIFIED.
NOTE 2. LOT NO. MUST COMPLY WITH ALPS NUMBERING RULES.



(2) (REFER TO NOTES)
(2.6) (REFER TO NOTES)

ANT PLUG
HIROSE ELECTRIC CO., LTD
PART NO. U. FL-LP (V) -040

BOARD TO BOARD CONNECTOR
Matsushita Electric Works, Ltd.
PART NO. : AXK5F20545



UGPZ3
ALPS MODEL NO.

PART NO.	NAME	MATERIAL	SPEC.	FINISH
ALPS ALPS ELECTRIC CO., LTD.				
DSGD. Dec. 10, '02 H. Watanabe			SCALE 2 : 1	TITLE ASSEMBLY DRAWING
CHKD.			UNIT mm	
APPD. Dec. 10, '02 H. Watanabe				
ZONE SYMB.	DATE OR NO.	APPD.	CHKD.	DSGD.