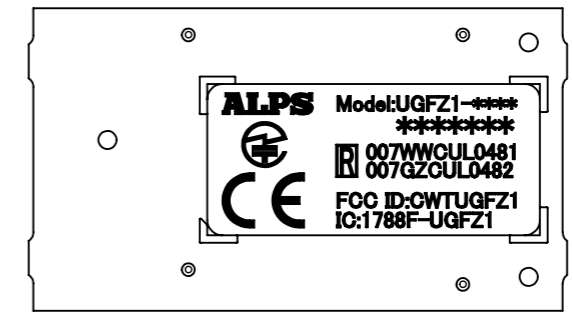
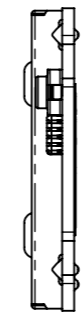
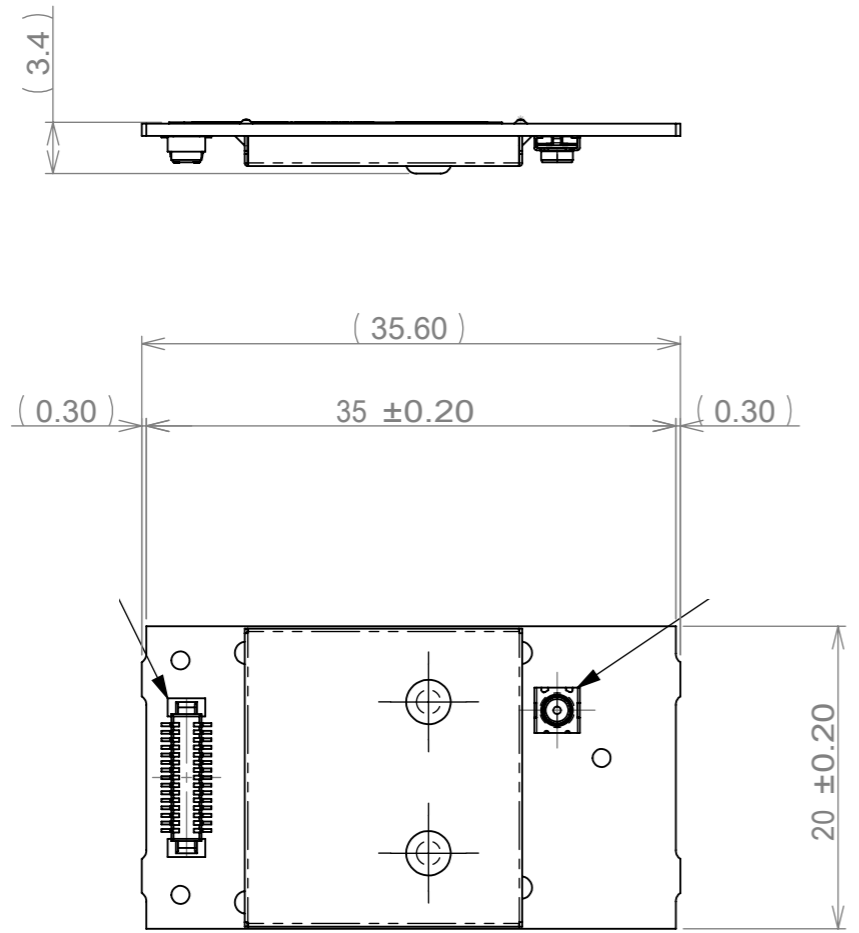


A

B

C

D



Mass 2.65g TYP.

NOTE 1.TOLERANCES ARE ± 0.3 UNLESS OTHERWISE SPECIFIED.

PART NO.	NAME	MATERIAL	SPEC.	FINISH
ALPS ELECTRIC CO., LTD.				
		DSGD.	SCALE	
		<i>Mar. 8, '11 K. Sasaki</i>	2:1	
		CHKD.		TITLE
		APPD.		UGFZ1 ASSEMBLY DRAWING
ZONE	SYMB.	DATE OR NO.	UNIT	(1/2)
		APPD. CHKD. DSGD.	mm	