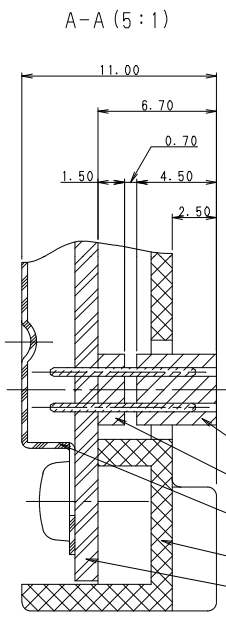
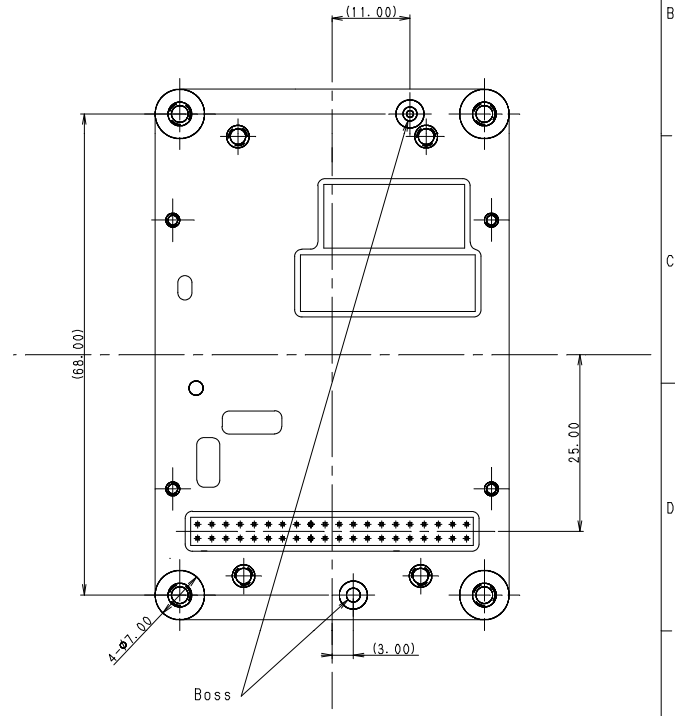
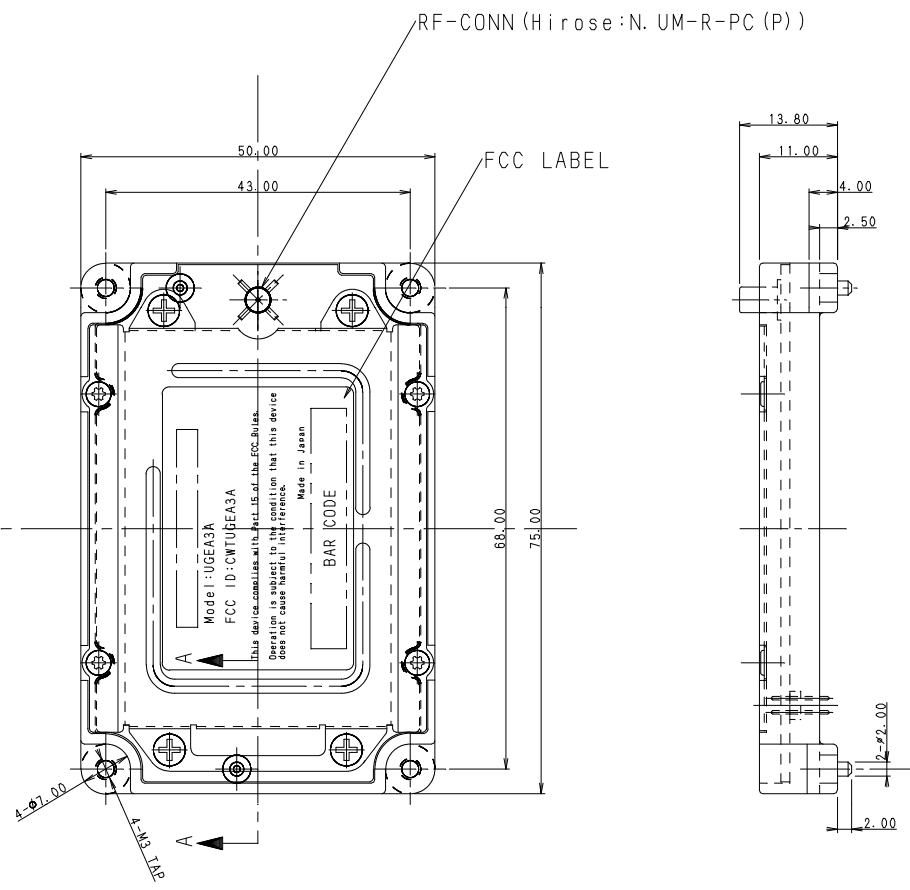


ALPS CONFIDENTIAL
PRELIMINARY



- 40Pin Receptacle: Molex No. 87381-4062
- 40Pin Header: Molex No. 87089-4016
- Cover
- Frame
- PWB

UGEA3X005A
CUSTOMER'S MODEL NO./ALPS MODEL NO.

PART NO.	NAME	MATERIAL	SPEC.	FINISH
		ALPS ELECTRIC CO., LTD.		
		DSGD.	Oct. 17' 03 Y. Usami	SCALE 2:1
		CHKD.		TITLE UGEA3 ASSEMBLY DRAWING
		APPD.	Oct 17' 03 Y. Saito	UNIT mm
ZONE	SYMB.	DATE OR NO.	APPD.	CHKD.
6				