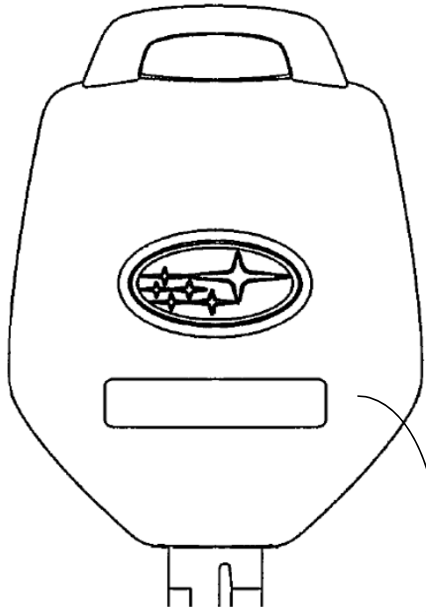
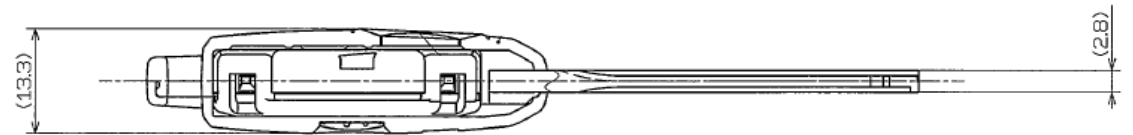
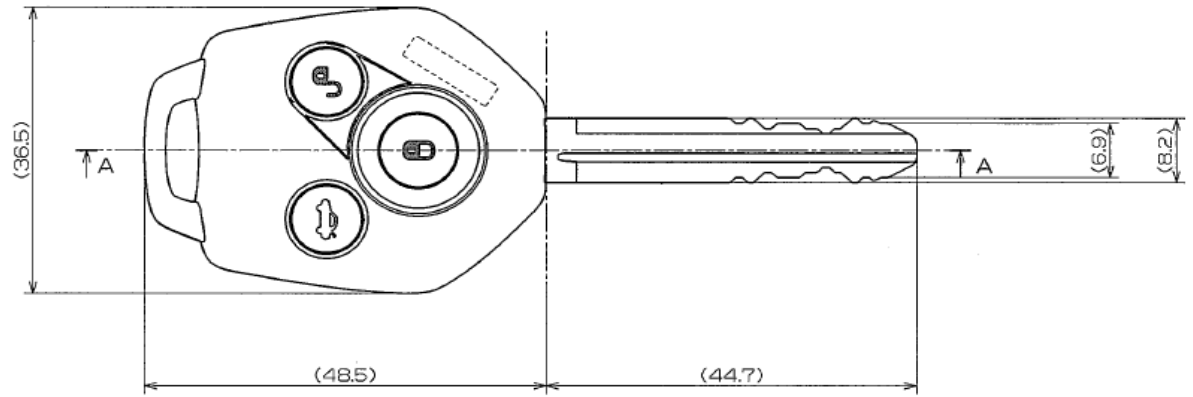


It will be indicate the mark by laser etching on outer case.



FCC ID : CWTB1G077  
IC : 1788F-FB1G077  
MODEL : TB1G077



A-A