

EXHIBIT 4
USER INSTRUCTIONS

OPERATING INSTRUCTIONS FOLLOW THIS PAGE

USER INSTRUCTIONS
FCC ID: CWT72147KA3

EXHIBIT 4

4. Explain of Keyless Entry System.

1) General

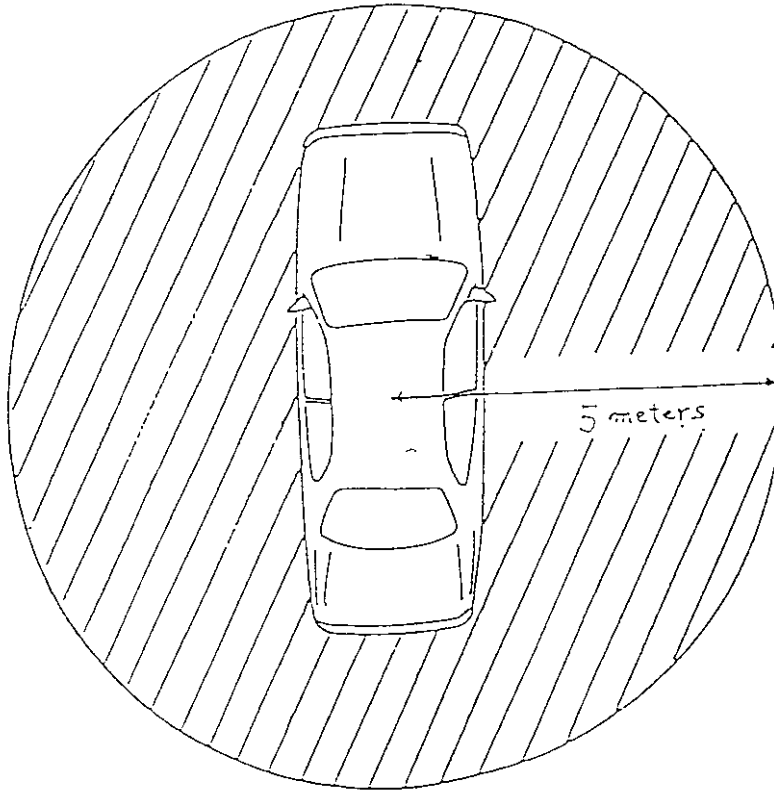
The system allows the user to lock or unlock a vehicle's doors only pressing the switch with a hand-held radio frequency Transmitter without using the Key.

Omnidirection was realized by radio frequency, you can control to easy without aiming a Transmitter to the Car.

2) How to use Keyless Entry System?

a) Press the Switch on the Transmitter that you want to control.

<Work Scope>



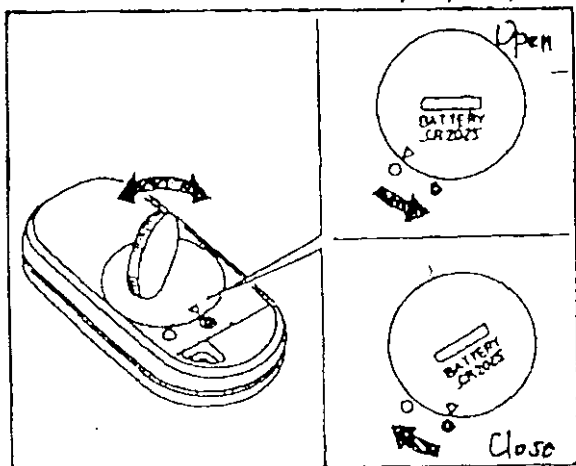
The Work Scope change a little by surrounding situation.

b) Lock and Unlock of the Door lock

LOCK : All Doors lock every time by pressing "LOCK" on the Transmitter.

UNLOCK : All Doors unlock by pressing "UNLOCK" on the Transmitter.

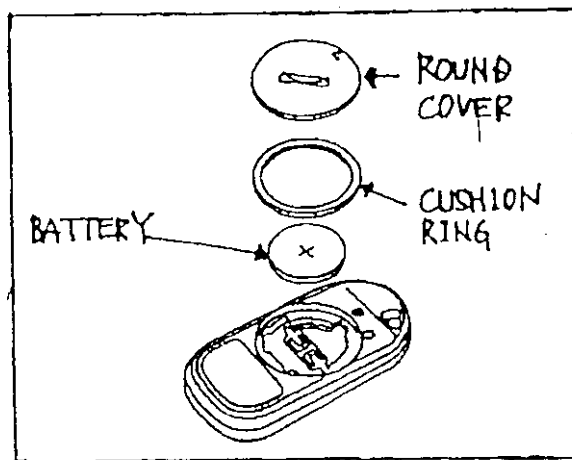
c) About exchange of the battery



When the Remote Keyless Entry Transmitter's Battery begins to get weak, it may take several pushes on the button to lock or unlock the doors, and the LED will get dim.
Replace the Battery as soon as possible.

Battery type : CR2025

To replace the Battery, remove the round cover on the back of the Transmitter by turning it counter clock wise with a coin.



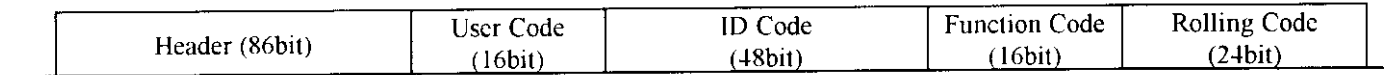
Remove the old Battery and note the polarity. Make sure the polarity of the new Battery is the same (+ side facing up), then insert it in the Transmitter.

Reinstall the cushion ring.

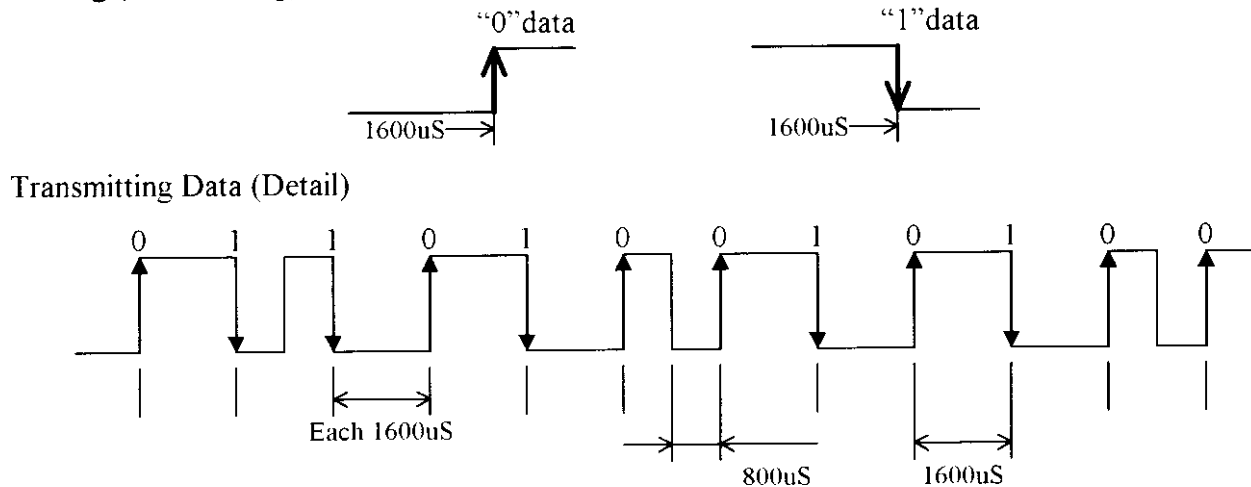
Align the ▼ mark on the cover with the ◎ mark on the Transmitter, then set the cover in place and turn it clock wise.

5. Data format.

- 1) Coding : Manchester
- 2) Data Speed : 625bps
- 3) Data packet : 1 Frame (190bit)
- 4) Transmitting time = 304mS +/- 5%
- 5) Data format (After coding)



6) Bit timing (After coding)



Pulse width : 800uS +/- 5%, & 1600uS +/- 5%

6. System description.

About the Transmitter of Keyless Entry System, that action principle is written as below.

The Transmitter can transmit a signal by switch operation.

All circuits inclusive of a micro processor are halt condition, (The condition that waits for same input of switches.)

When you press the one of two buttons, the micro starts the operation.

The micro reads ID code & Rolling code from the EEPROM of Transmitter.

After reads the codes, the micro make the other codes and data format.

Then the micro sends the data to Oscillator.

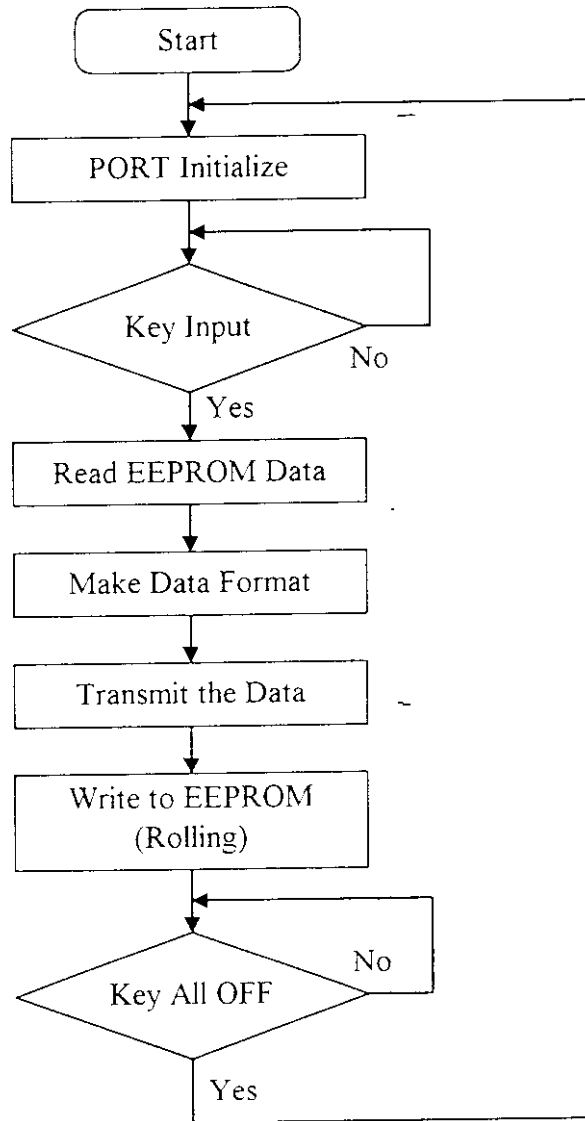
The Signal is generated by Oscillator.

The oscillator only acts when the data from the micro is “HIGH”.

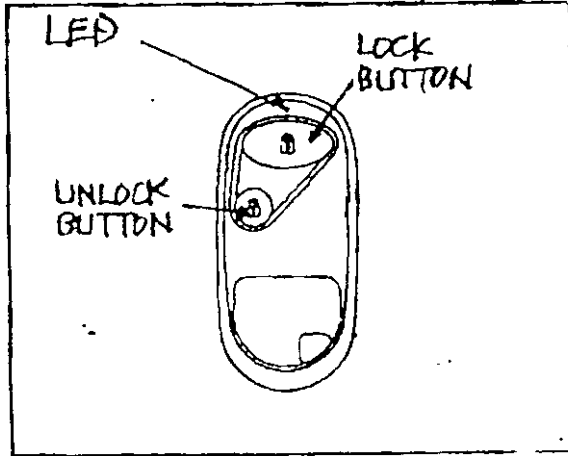
When the transmission data finished, the micro become halt mode, and it waits input from the Button.

7. Transmitter Flow Chart

Circulate this routine usually.



16. Users Manual Remote Transmitter



You can lock and unlock your vehicle with the remote transmitter. When you push the Lock button, all the doors will lock.

When you push the Unlock button once, only the driver's door unlocks. The remaining doors unlock when you push the button a second time.

The ceiling light (if the ceiling light switch is in the center position) and the door courtesy lights come on when you unlock the doors. If you do not open any doors, the lights stay on for about 10 seconds, then fade out. If you re-lock the doors with the remote transmitter, the light go off immediately.

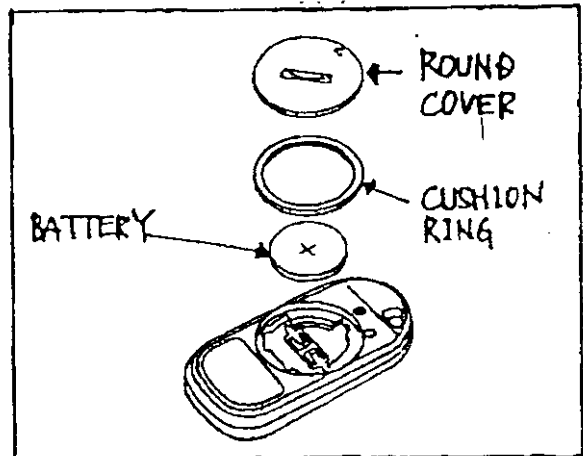
If you unlock the doors with the remote transmitter, but do not open any of the doors within 30 seconds, the doors automatically re-lock and the security system sets.

You can not lock any of the doors with the remote transmitter if any doors is open or key is in the ignition switch. You can not also unlock any of the doors with the key in the ignition switch.

This device complies with Part 15 of the FCC rules. Operation is subject to the following two conditions : (1) This device may not cause harmful interference, and (2) this device must accept any interference received, including interference that may cause undesired operation,
This device complies with DOC rules in Canada.

Changes or modifications not expressly approved by the party responsible for compliance should void the user's authority to operate the equipment.

Replacing the Battery

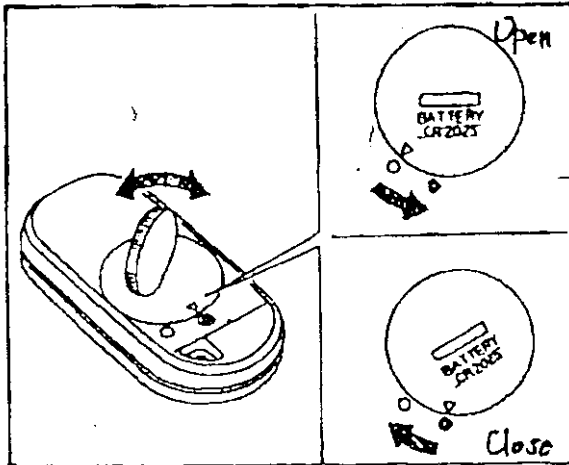


When the Remote Keyless Entry Transmitter's Battery begins to get weak, it may take several pushes on the button to lock or unlock the doors, and the LED will get dim.

Replace the Battery as soon as possible.

Battery type : CR2025

To replace the Battery, remove the round cover on the back of the Transmitter by turning it counter clock wise with a coin.



Remove the old Battery and note the polarity. Make sure the polarity of the new Battery is the same (+ side facing up), then insert it in the Transmitter.

Reinstall the cushion ring.

Align the ▼ mark on the cover with the ◎ mark on the Transmitter, then set the cover in place and turn it clock wise.

Transmitter Care

Avoid severe shock to the transmitter, such as dropping or throwing it. Also, protect it from extreme hot or cold temperatures.

Clean the transmitter case with a soft cloth. Do not use strong cleaners or solvents that could harm the case. Immersing the transmitter in any liquid will harm the transmitter and cause it to not function properly.

If you lose a transmitter, you will need to have the replacement programmed to your vehicle's system by your Honda Dealer. Any other transmitters you have will also need to be reprogrammed.

8. Outline (Transmitter)

1) P/N : 72147-KA3

