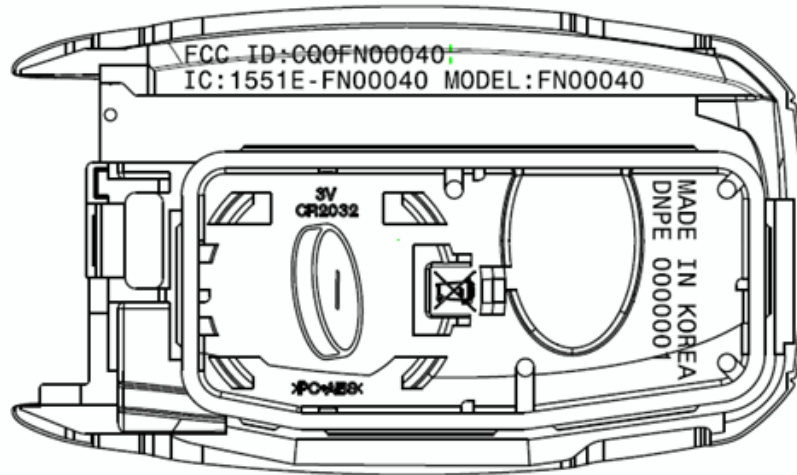


# FCC/IC Label

## 1. FCC/IC Label Drawing

---



## 2. FCC/IC Label Location

### TOP of the EUT

