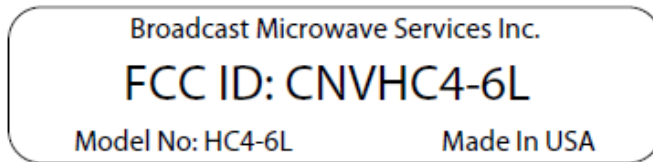


May 5, 2014

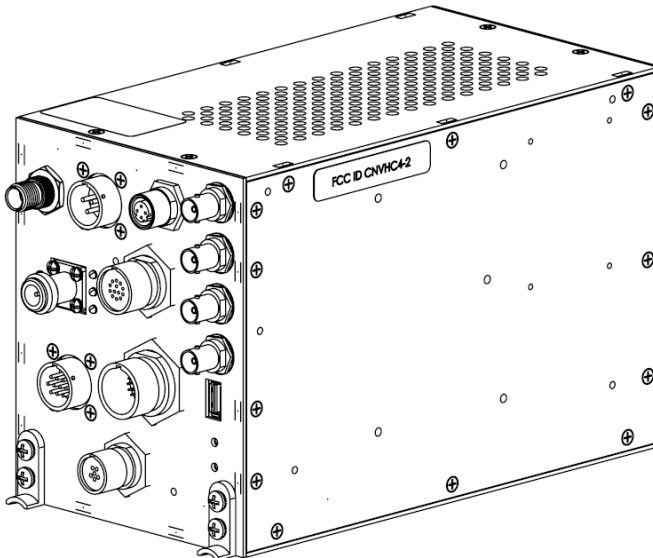
FCC ID Label format and Location

Re: FCC ID: CNVHC4-6L

Drawing of the label below:



Location of the label is seen in the drawing below:



Broadcast Microwave Services, Inc. | [www.bms-inc.com](http://www.bms-inc.com)

Corporate Headquarters  
12367 Crosthwaite Circle | Poway, CA 92064 USA  
Phone: +1 (858) 391-3050 | Toll-free: 800-669-9667  
Fax: +1 (858) 391-3049

BMS European Office  
Schwalbacherstr. 12 | 65321 Heidenrod-Kemel GERMANY  
Phone: +49-6124-7239-00 | Fax: +49-6124-7239-29