

Notebook Tour

Document Part Number: 396323-001

December 2005

This guide explains the computer hardware features.

Contents

1 Components

Top components	2
Lights	2
TouchPad	4
Buttons and switches	5
Keys	7
Hotkey quick reference	8
Front components	9
Rear components	10
Right-side components	11
Left-side components	12
Bottom components	13
WLAN antennae	16
WWAN antennae	17
Additional hardware components	18
Labels	19

2 Specifications

Operating Environment	21
Rated Input Power	22

Index

1

Components

This guide explains the hardware features of the computer.

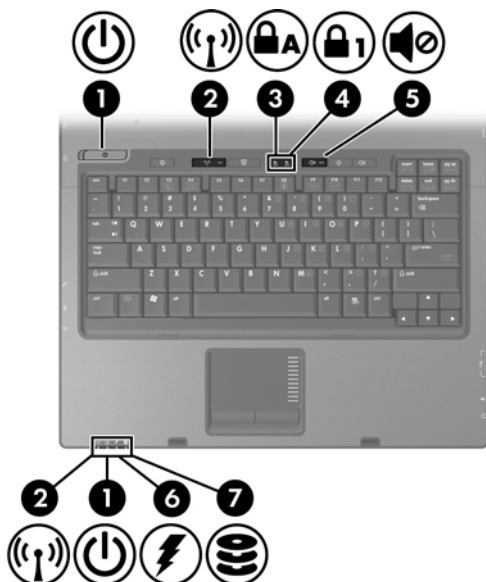
To see a list of installed hardware on the computer:

1. Select **Start > My Computer**.
2. In the System Tasks window in the left pane, select **View system information**.
3. Select **Hardware** tab > **Device Manager**.

You can also add hardware or modify your device configurations using Device Manager.

Top components

Lights



Component	Description
❶ Power lights* (2)	Green: The computer is on. Blinking green: The computer is in standby. Off: The computer is off or in hibernation.
❷ Wireless lights [†] (2)	On: An integrated wireless device, such as a wireless local area network (LAN) device and/or a Bluetooth® device is turned on.

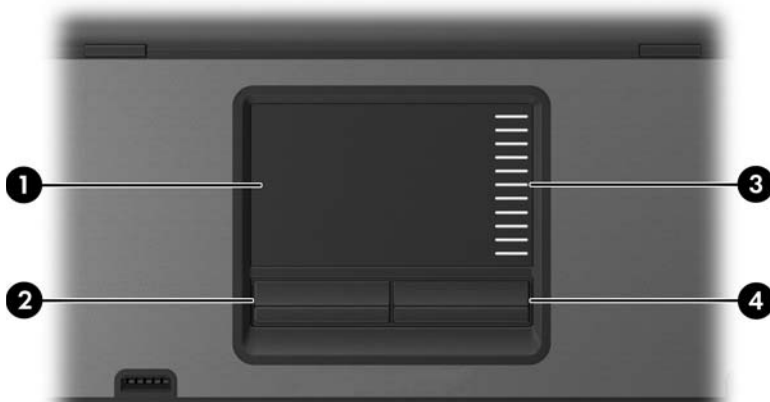
(Continued)

Component	Description
③ Caps lock light	On: Caps lock is on.
④ Num lock light	On: Num lock is on or the embedded numeric keypad is enabled.
⑤ Volume mute light	On: System sound is turned off.
⑥ Battery light	Amber: A battery pack is charging. Green: A battery pack is close to full charge capacity. Blinking amber: A battery pack that is the only available power source has reached a low-battery condition. When the battery reaches a <i>critical</i> low-battery condition, the battery light begins blinking more quickly. Off: If the computer is plugged into an external power source, the light is turned off when all batteries in the computer are fully charged. If the computer is not plugged into an external power source, the light is turned off until the battery reaches a low-battery condition.
⑦ IDE (Integrated Drive Electronics) drive light	Blinking: The hard drive or optical drive is being accessed.

*There are 2 power lights. Both display the same information. The light on the power button is visible only when the computer is open; the other power light is always visible on the front of the computer.

†There are 2 wireless lights. Both display the same information. The light on the wireless button is visible only when the computer is open; the other wireless light is always visible on the front of the computer.

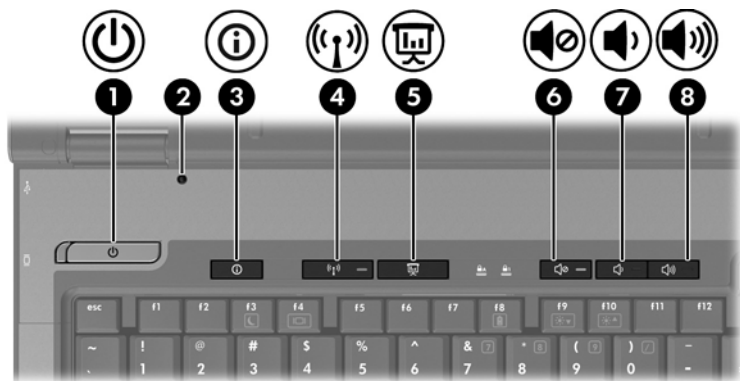
TouchPad



Component	Description
❶ TouchPad*	Moves the pointer and selects or activates items on the screen. Can be set to perform other mouse functions, such as scrolling, selecting, and double-clicking.
❷ Left TouchPad button*	Functions like the left button on an external mouse.
❸ Right TouchPad button*	Functions like the right button on an external mouse.
❹ TouchPad scroll zone*	Scrolls up or down.


*This table describes default settings.

Buttons and switches



Component	Description
❶ Power button*	<p>When the computer is</p> <ul style="list-style-type: none">■ Off, press to turn on the computer.■ In standby, briefly press to exit standby.■ In hibernation, briefly press to exit hibernation. <p>If the computer has stopped responding and Microsoft® Windows® shutdown procedures cannot be used, press and hold the power button for at least 5 seconds to turn off the computer.</p>
❷ Display switch	Initiates standby if the display is closed while the computer is on.

(Continued)

Component	Description
③ Info Center button	Launches Info Center, which enables you to open the following software solutions: Altiris Local Recovery, Contact HP, Help and Support, Accessories Product Tour (Options Demo), ProtectTools Security Manager, Software Setup, System Information, and Wireless Assistant.
④ Wireless button*	Turns the wireless feature on or off, but does not create a wireless connection.  To establish a wireless connection, a wireless network must already be set up.
⑤ Presentation mode button	Turns on Presentation mode.
⑥ Volume mute button	Mutes system sound.
⑦ Volume down button	Decreases system volume.
⑧ Volume up button	Increases system volume.

*This table describes default settings.

Keys



Component	Description
❶ esc key	Displays system information when pressed in combination with the fn key.
❷ fn key	Executes frequently used system functions when pressed in combination with a function key or the esc key.
❸ Windows logo key	Displays the Microsoft Windows Start menu.
❹ Windows applications key	Displays a shortcut menu for items beneath the pointer.

(Continued)

Component	Description
5 Embedded numeric keypad keys	Can be used like the keys on an external numeric keypad.
6 Function keys	Execute frequently used system functions when pressed in combination with the fn key.

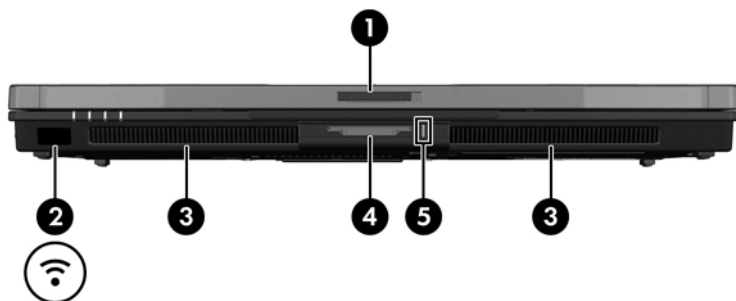


Refer to the table in "[Hotkey quick reference](#)" for a description of each hotkey.

Hotkey quick reference

To perform this function	Press
Initiate standby	fn+f3
Resume from standby	Power button
Alternate between computer display and external display	fn+f4
Display battery information	fn+f8
Clear battery information	fn+f8
Decrease screen brightness	fn+f9
Increase screen brightness	fn+f10
Display system information	fn+esc
Clear system information	fn+esc or press OK


Front components



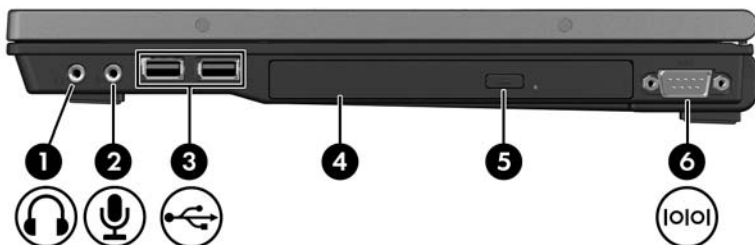
Component	Description
❶ Display release latch	Opens the computer.
❷ Infrared port	Provides wireless communication between the computer and an optional IrDA-compliant device.
❸ Speakers (2)	Produce system sound.
❹ 6-in-1 Digital Media Slot	Supports 6 optional digital card formats: SD (Secure Digital) Memory Card, MultiMediaCard, Memory Stick, Memory Stick Pro, SmartMedia card, and xD-Picture Card.
❺ 6-in-1 Digital Media Slot light	On: A digital card is being accessed.

Rear components



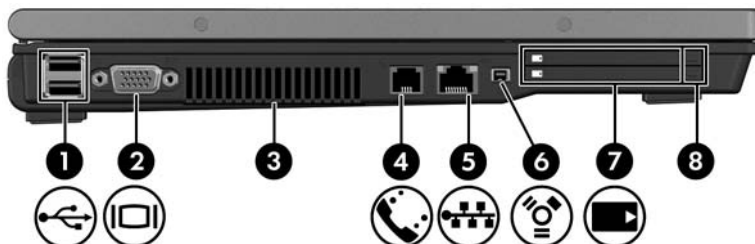
Component	Description
❶ Security cable slot	Attaches an optional security cable to the computer.
 The security cable is designed to act as a deterrent, but may not prevent the computer from being mishandled or stolen.	
❷ Power connector	Connects an AC adapter or an optional power adapter.
❸ Parallel port	Connects an optional printer.
❹ S-Video-out jack	Connects an optional S-Video device such as a television, VCR, camcorder, overhead projector, or video capture card.



Right-side components



Component	Description
❶ Audio-out (headphone) jack	Produces system stereo sound when connected to optional powered stereo speakers, headphones, ear buds, headset, or television audio.
❷ Audio-in (microphone) jack	Connects an optional headset microphone or a monaural microphone.
❸ USB ports (2)	Connect USB 1.1- and 2.0-compliant devices to the computer using a standard USB cable. Either port can also connect an optional External MultiBay II to the computer. The MultiBay II must be plugged into an external power source.
❹ Optical drive	Reads an optical disc.
❺ Optical drive button	Releases the media tray.
❻ Serial port	Connects an optional serial device.

Left-side components

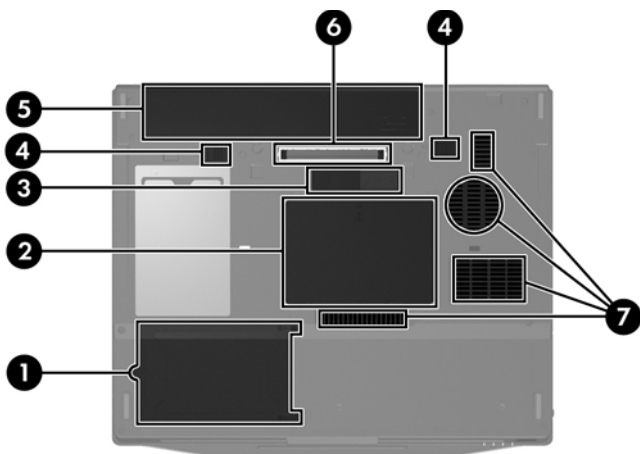



Component	Description
① USB ports (2)	Connect USB 1.1- and 2.0-compliant devices to the computer using a standard USB cable. Either port can also connect an optional External MultiBay II to the computer. The MultiBay II must be plugged into an external power source.
② External monitor port	Connects an external monitor.
③ Exhaust vent	Provides airflow to cool internal components.
	To prevent overheating, do not obstruct vents. Use the computer only on a hard, flat surface. Do not allow another hard surface, such as an adjoining optional printer, or a soft surface, such as pillows or thick rugs or clothing, to block airflow.
	The computer fan starts up automatically to cool internal components and prevent overheating. It is normal for the internal fan to cycle on and off during routine operation.
④ RJ-11 (modem) jack	Connects a modem cable.
⑤ RJ-45 (network) jack	Connects a network cable.
⑥ 1394 port	Connects an optional IEEE 1394 device, such as a camcorder.



(Continued)

Component	Description
7 PC Card slots (2)	Support optional Type I, Type II, or Type III 32-bit (CardBus) or 16-bit PC Cards. Some models may be shipped with a smart card reader in the bottom card slot.
8 PC Card slot eject buttons (2)	Eject the PC Cards from the PC Card slots.

Bottom components



Component	Description
① Hard drive bay	Holds the hard drive.
② Expansion memory module and Mini PCI compartment	<p>Contains the expansion memory module slot and a wireless LAN device.</p> <p> To prevent an unresponsive system and the display of a warning message, replace only a Mini PCI device authorized for use in the computer by the governmental agency that regulates wireless devices in your country. If you replace a device and then receive a warning message, remove the device to restore notebook functionality. Then contact Customer Care. To contact Customer Care, click Contact a Technician in the Help and Support Center.</p> <p><i>Editor's Note: On the Davos 2.0 I worked on, Contact a Technician is not showing up in Help and Support. Will it be there?</i></p>
③ Travel battery connector	Connects an optional travel battery.
④ Primary battery pack release latches (2)	Release the primary battery pack from the battery bay.
⑤ Primary battery bay	Holds the primary battery pack.
⑥ Docking connector	Connects the computer to an optional docking device.

Component	Description
⑦ Exhaust vents (2 or 3)*	Provides airflow to cool internal components.
	To prevent overheating, do not obstruct vents. Use the computer only on a hard, flat surface. Do not allow another hard surface, such as an adjoining optional printer, or a soft surface, such as pillows or thick rugs or clothing, to block airflow.
	The computer fan starts up automatically to cool internal components and prevent overheating. It is normal for the internal fan to cycle on and off during routine operation.

*Depending on your computer model, the vents on the computer may vary in number and location.

WLAN antennae

Two wireless antennae inside the display closure send and receive wireless device signals over wireless local area networks (WLANs). These antennae are not visible from the outside of the computer.



WWAN antennae

Two wireless antennae inside the display enclosure allow you to connect to a wireless wide-area network (WWAN), and then to the Internet, using the integrated HP Broadband Wireless module and service from a supported cellular network operator.

For more information on HP Broadband Wireless and how to sign up for service, refer to the *HP Broadband Wireless Getting Started* guide that shipped with your computer.



Additional hardware components



Component	Description
❶ AC adapter	Converts AC power to DC power.
❷ Power cord*	Connects an AC adapter to an AC outlet.
❸ Primary battery pack*	Powers the computer when the computer is not plugged into external power.
❹ Modem cable*	Connects an internal modem to an RJ-11 telephone jack or to a country-specific modem adapter.

*Modem cables, battery packs, and power cords vary in appearance by region and country.

Labels

The labels affixed to the computer provide information you may need when you troubleshoot system problems or travel internationally with the computer.

- **Service tag**—Provides the product name, product number (P/N), and serial number (S/N) of your computer. Have this information available when you contact Customer Care. The service tag label is affixed to the bottom of the computer.
- **Microsoft Certificate of Authenticity**—Contains the Microsoft Windows Product Key. You may need the Product Key to update or troubleshoot the operating system. This certificate is affixed to the bottom of the computer.
- **Regulatory label**—Provides regulatory information about the computer. The regulatory label is affixed to the bottom of the computer.
- **Modem approval label**—Provides regulatory information about the modem and lists the agency approval markings required by some of the countries in which the modem has been approved for use. You may need this information when traveling internationally. The modem approval label is affixed to the bottom of the computer.
- **Wireless certification labels**—Provides information about optional wireless devices and the approval markings on some of the countries in which the devices have been approved for use. An optional device may be a wireless local area network (WLAN) device or an optional Bluetooth® device. If your computer model includes one or more wireless devices, one certification label is included with your computer. You may need this information when traveling internationally. Wireless certification labels are affixed to the bottom of the computer.

EDITOR'S NOTE: Do I need to rework the above bullet to add the WWAN label location, which will be located on the inside of the battery compartment (per Dean Dutterer)?

Components

2

Specifications

The following sections provide information on the operating environment specifications and power specifications of the computer.

Operating Environment

The operating environment information in the following table may be helpful if you plan to use or transport the computer in extreme environments.

Factor	Metric	U.S.
Temperature		
Operating (not writing to optical disc)	0°C to 35°C	32°F to 95°F
Operating (writing to optical disc)	5°C to 35°C	41°F to 95°F
Nonoperating	-20°C to 60°C	-4°F to 140°F
Relative humidity (noncondensing)		
Operating	10% to 90%	10% to 90%
Nonoperating	5% to 95%	5% to 95%
Maximum altitude (unpressurized)		
Operating (14.7 to 10.1 psia*)	-15 m to 3,048 m	-50 ft to 10,000 ft
Nonoperating (14.7 to 4.4 psia*)	-15 m to 12,192 m	-50 ft to 40,000 ft

*Pounds per square inch absolute (psia) is another unit of measurement for altitude.

Rated Input Power

The power information in this section may be helpful if you plan to travel internationally with the computer.

The computer operates on DC power, which can be supplied by an AC or a DC power source. Although the computer can be powered from a stand-alone DC power source, it is strongly recommended that the computer be powered only with an AC adapter or a DC power cord supplied by or approved for an HP computer.

The computer is capable of accepting DC power within the following specifications.

Input Power	Rating
Operating voltage	18.5 V dc @ 3.5 A - 65 W
Operating current	3.5 A

This product is designed for IT power systems in Norway with phase-to-phase voltage not exceeding 240 V rms.

Index

1394 port 1–12
6-in-1 Digital Media Slot light
1–9
6-in-1 Digital Media Slot,
location 1–9

A

AC adapter, identifying 1–18
altitude specifications 2–21
antennae 1–16, 1–17
applications key, Windows
1–7
audio-in (microphone) jack
1–11
audio-out (headphone) jack
1–11

B

battery bay 1–14, 1–19
battery light, identifying 1–3
battery pack release latch 1–14
battery pack, identifying 1–18
bays
battery 1–14, 1–19
hard drive 1–14
Bluetooth label 1–19
buttons
Info Center 1–6
mute 1–6

optical drive 1–11
PC Card slot eject 1–13
power 1–5
Presentation mode 1–6
TouchPad 1–4
volume 1–6
wireless 1–6

C

cables
modem 1–12
network 1–12
RJ-11 (modem) 1–18
USB 1–11, 1–12
caps lock light 1–3
Certificate of Authenticity
label 1–19
compartments
expansion memory module
1–14
compartments, Mini PCI 1–14
components
bottom 1–13
front 1–9
left-side 1–12
rear 1–10
right-side 1–11
top 1–2

connectors
 docking 1–14
 power 1–10
 travel battery 1–14
cord, power, identifying 1–18

D
digital cards 1–9
display release latch 1–9
display switch, identifying 1–5
docking connector 1–14
drives, optical 1–11

E
eject button, PC Card slot 1–13
environmental specifications
 2–21
exhaust vents 1–12, 1–15
external monitor port 1–12

F
fn key 1–7
function keys 1–8

H
hard drive bay, identifying
 1–14
headphone (audio-out) jack
 1–11
hotkey commands
 initiate standby 1–8
hotkeys, Quick Reference 1–8
humidity specifications 2–21

I
IDE drive light 1–3
IEEE 1394 port 1–12
Info Center button 1–6

infrared port 1–9

J
jacks
 audio-in (microphone)
 1–11
 audio-out (headphone)
 1–11
 RJ-11 (modem) 1–12
 RJ-45 (network) 1–12
 S-Video-out 1–10

K
keypad keys 1–8
keys
 esc 1–7
 fn 1–7
 function 1–8
 keypad 1–8
 Windows applications 1–7
 Windows logo 1–7

L
labels
 Microsoft Certificate of
 Authenticity 1–19
 modem approval 1–19
 regulatory 1–19
 service tag 1–19
 wireless certification 1–19
 WLAN 1–19
latches
 battery pack release 1–14
 display release 1–9
lights
 6-in-1 Digital Media Slot
 1–9

- battery 1–3
- caps lock 1–3
- IDE drive 1–3
- mute 1–3
- num lock 1–3
- power 1–2
 - wireless 1–2
- lock, security cable 1–10
- M**
 - memory module compartment, expansion 1–14
 - Memory Stick 1–9
 - Memory Stick Pro 1–9
 - microphone (audio-in) jack 1–11
 - Microsoft Certificate of Authenticity label 1–19
 - Mini PCI compartment 1–14
 - modem approval label 1–19
 - modem cable 1–12
 - monitor port, external 1–12
 - MultiMediaCard 1–9
 - mute button 1–6
 - mute light 1–3
- N**
 - network (RJ-45) jack 1–12
 - network cable 1–12
 - num lock light 1–3
- O**
 - operating environment specifications 2–21
 - operating system
 - Microsoft Certificate of Authenticity label 1–19
- Product Key 1–19
- optical drive button 1–11
- optical drive, identifying 1–11
- optional power adapter 1–10
- P**
 - parallel port 1–10
 - PC Card slot 1–13
 - PC Card slot eject button 1–13
 - ports
 - 1394 1–12
 - external monitor 1–12
 - infrared 1–9
 - parallel 1–10
 - serial 1–11
 - USB 1–11, 1–12
 - power button 1–5
 - power connector 1–10
 - power cord 1–18
 - power light 1–2
 - Presentation mode button 1–6
 - Product Key 1–19
 - product name and number, computer 1–19
- R**
 - rated input power specifications 2–22
 - regulatory information
 - modem approval label 1–19
 - regulatory label 1–19
 - wireless certification labels 1–19
 - release latch
 - battery pack 1–14
 - display 1–9

RJ-11 (modem) cable 1-18
RJ-11 (modem) jack 1-12
RJ-45 (network) jack 1-12

S

scrolling regions, TouchPad
1-4
Secure Digital (SD) Memory
Card 1-9
security cable slot 1-10
serial number, computer 1-19
serial port 1-11
service tag 1-19
slots

- 6-in-1 Digital Media 1-9
- memory 1-14
- PC Card 1-13
- security cable 1-10

SmartMedia (SM) card 1-9
speakers 1-9
specifications

- operating environment
2-21
- rated input power 2-22

S-Video-out jack 1-10
switches
display 1-5
identifying 1-5

T

temperature specifications
2-21
TouchPad 1-4
travel battery connector 1-14
traveling with computer
environmental
specifications 2-22

modem approval label
1-19
wireless certification labels
1-19

U

USB cable 1-11, 1-12
USB ports, identifying 1-11,
1-12

V

vents, exhaust 1-12, 1-15
volume buttons 1-6

W

Windows applications key 1-7
Windows logo key 1-7
wireless antennae 1-16, 1-17
wireless button 1-6
wireless certification label
1-19
wireless light 1-2
WLAN label 1-19

X

xD-Picture Card 1-9

© Copyright 2005 Hewlett-Packard Development Company, L.P.

Microsoft and Windows are U.S. registered trademarks of Microsoft Corporation. SD Logo is a trademark of its proprietor. Bluetooth is a trademark owned by its proprietor and used by Hewlett-Packard Company under license.

The information contained herein is subject to change without notice. The only warranties for HP products and services are set forth in the express warranty statements accompanying such products and services. Nothing herein should be construed as constituting an additional warranty. HP shall not be liable for technical or editorial errors or omissions contained herein.

Notebook Tour

First Edition December 2005

Document Part Number: 396323-001