

16 Appendix G - Test Setup Photos

16.1 Tablet Back Side with case Touch to the Flat Phantom Setup Photo



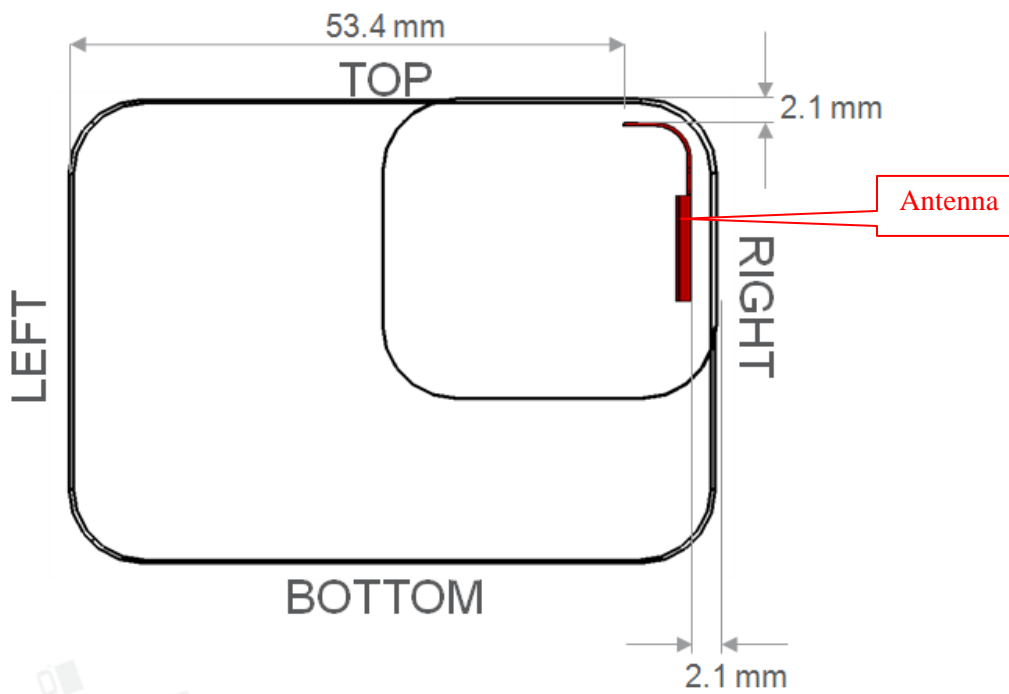
16.2 Tablet Bottom Side with case Touch to the Flat Phantom Setup Photo



16.3 Tablet Right Side with case 10mm to the Flat Phantom Setup Photo



16.4 EUT Antenna Location-Seen From Front



16.5 EUT Antenna Location-Seen From Right Side

