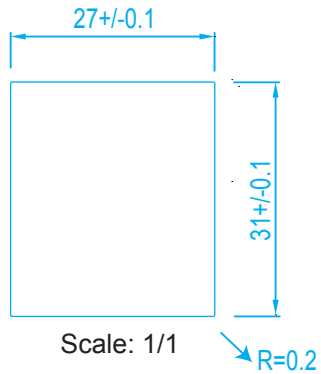


REV	ECO/DESCRIPTION	DATE	APPROVED
A	A	2012-07-23	D. G.

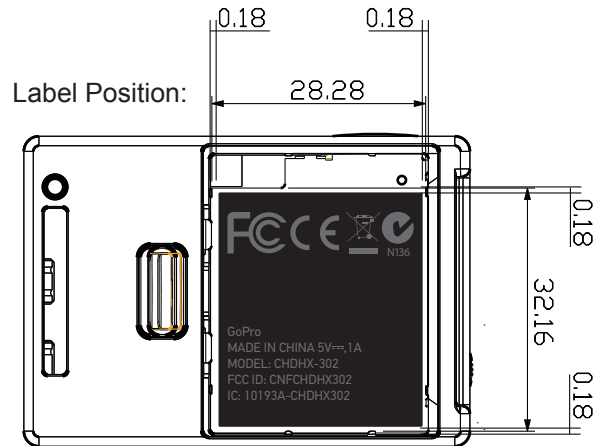


Todos:
Model: CHDX-302
FCC ID: CNFCHDX302
IC ID: 10193A-CHDX302



Notes:

- Material: 25# Premium Grade Polyester Label + UV Coating
 (25# Premium Grade Polyester Label = Label Base (0.033mm thickness)+Glue (0.015mm thickness)
 =Total thickness 0.048mm)
- Total thickness: 0.05mm +/-0.1mm
- Printing Color: BK100 + BK70%
- Size: 31 x 27mm (R=0.2 x 4)
- Tolerance: +/-0.2mm
- Unit: mm



DIMENSION RANGE	TOLERANCE	
	DECIMAL X.X	DECIMAL X.XX
0.00 to 6.35	+/- 0.3	+/- 0.13
6.36 to 38.10	+/- 0.3	+/- 0.13
38.11 to 76.20	+/- 0.3	+/- 0.13
76.21 to 152.40	+/- 0.3	+/- 0.13
ANGULAR	+/- 1 DEGREE	+/- 1 DEGREE

DRAWN BY Sharon	DATE 2013-06-19
APPROVED BY DAVID GUASCA	DATE 2013-06-19
PROJ FILENAME	N/A



CONTRACT MANUFACTURER NAME CHICONY ELECTRONICS CO., LTD
CM P/N 2530AC920L-A03
<small>THIS ENGINEERING DRAWING AND SPECIFICATION CONTAINS CONFIDENTIAL, TRADE SECRET, AND OTHER PROPRIETARY INFORMATION OF GoPro. THIS DOCUMENT MAY NOT BE TRANSFERRED OR COPIED WITHOUT THE EXPRESS WRITTEN AUTHORIZATION OF GoPro. IN ADDITION, NEITHER THIS SHEET NOR THE INFORMATION IT CONTAINS MAY BE USED BY OR DISCLOSED TO ANY THIRD PARTY WITHOUT GoPro's EXPRESS WRITTEN CONSENT.</small>

PARTS MUST BE RoHS COMPLIANT	THIRD ANGLE PROJECTION
ALL DIMENSIONS ARE MILLIMETERS	

PART DESCRIPTION AGENCY SAFETY LABEL TODOS (BAWA)		REV A
SIZE A	GoPro P/N	
DO NOT SCALE DRAWING		SHEET 1 OF 1