



# FCC SAR Test Report

**APPLICANT** : Woodman Labs, Inc. (dba GoPro)  
**EQUIPMENT** : HERO3 Silver Edition  
**BRAND NAME** : GoPro  
**MODEL NAME** : CHDHN-301  
**MARKETING NAME** : HERO3 Silver Edition  
**FCC ID** : CNFCHDHN301  
**STANDARD** : FCC 47 CFR Part 2 (2.1093)  
ANSI/IEEE C95.1-1992  
IEEE 1528-2003  
FCC OET Bulletin 65 Supplement C (Edition 01-01)

The product was completely tested on Aug. 15, 2012. We, SPORTON INTERNATIONAL INC., would like to declare that the tested sample has been evaluated in accordance with the procedures and shown the compliance with the applicable technical standards.

The test results in this report apply exclusively to the tested model / sample. Without written approval of SPORTON INTERNATIONAL INC., the test report shall not be reproduced except in full.

Reviewed by:

Jones Tsai / Manager



## SPORTON INTERNATIONAL INC.

No. 52, Hwa Ya 1<sup>st</sup> Rd., Hwa Ya Technology Park, Kwei-Shan Hsiang, Tao Yuan Hsien, Taiwan, R.O.C.



## Table of Contents

|  |           |
|--|-----------|
| <b>1. Statement of Compliance</b>                    | <b>4</b>  |
| <b>2. Administration Data</b>                        | <b>5</b>  |
| 2.1 Testing Laboratory                               | 5         |
| 2.2 Applicant  | 5         |
| 2.3 Manufacturer                                     | 5         |
| 2.4 Application Details                              | 5         |
| <b>3. General Information</b>                        | <b>6</b>  |
| 3.1 Description of Device Under Test (DUT)           | 6         |
| 3.2 Product Photos                                   | 6         |
| 3.3 Applied Standards                                | 7         |
| 3.4 Device Category and SAR Limits                   | 7         |
| 3.5 Test Conditions                                  | 7         |
| <b>4. Specific Absorption Rate (SAR)</b>             | <b>8</b>  |
| 4.1 Introduction                                     | 8         |
| 4.2 SAR Definition                                   | 8         |
| <b>5. SAR Measurement System</b>                     | <b>9</b>  |
| 5.1 E-Field Probe                                    | 10        |
| 5.2 Data Acquisition Electronics (DAE)               | 11        |
| 5.3 Robot  | 11        |
| 5.4 Measurement Server                               | 12        |
| 5.5 Phantom  | 12        |
| 5.6 Device Holder                                    | 13        |
| 5.7 Data Storage and Evaluation                      | 15        |
| 5.8 Test Equipment List                              | 17        |
| <b>6. Tissue Simulating Liquids</b>                  | <b>18</b> |
| <b>7. SAR Measurement Evaluation</b>                 | <b>19</b> |
| 7.1 Purpose of System Performance check              | 19        |
| 7.2 System Setup                                     | 19        |
| 7.3 Validation Results                               | 20        |
| <b>8. DUT Testing Position</b>                       | <b>20</b> |
| <b>9. Measurement Procedures</b>                     | <b>21</b> |
| 9.1 Spatial Peak SAR Evaluation                      | 21        |
| 9.2 Area & Zoom Scan Procedures                      | 22        |
| 9.3 Volume Scan Procedures                           | 22        |
| 9.4 SAR Averaged Methods                             | 22        |
| 9.5 Power Drift Monitoring                           | 22        |
| <b>10. SAR Test Configurations</b>                   | <b>23</b> |
| 10.1 Exposure Positions Consideration                | 23        |
| 10.2 Conducted Power (Unit: dBm)                     | 24        |
| <b>11. SAR Test Results</b>                          | <b>25</b> |
| 11.1 Test Records for Body SAR Test                  | 25        |
| <b>12. Uncertainty Assessment</b>                    | <b>26</b> |
| <b>13. References</b>                                | <b>28</b> |
| <b>Appendix A. Plots of System Performance Check</b> |           |
| <b>Appendix B. Plots of SAR Measurement</b>          |           |
| <b>Appendix C. DASy Calibration Certificate</b>      |           |
| <b>Appendix D. Product Photos</b>                    |           |
| <b>Appendix E. Test Setup Photos</b>                 |           |



### Revision History

| REPORT NO. | VERSION | DESCRIPTION             | ISSUED DATE   |
|------------|---------|-------------------------|---------------|
| FA280303   | Rev. 01 | Initial issue of report | Sep. 12, 2012 |
|            |         |                         |               |
|            |         |                         |               |
|            |         |                         |               |
|            |         |                         |               |
|            |         |                         |               |
|            |         |                         |               |
|            |         |                         |               |
|            |         |                         |               |
|            |         |                         |               |
|            |         |                         |               |
|            |         |                         |               |
|            |         |                         |               |
|            |         |                         |               |
|            |         |                         |               |
|            |         |                         |               |
|            |         |                         |               |
|            |         |                         |               |
|            |         |                         |               |
|            |         |                         |               |
|            |         |                         |               |



**1. Statement of Compliance**

The maximum results of Specific Absorption Rate (SAR) found during testing for **Woodman Labs, Inc. (dba GoPro), HERO3 Silver Edition, GoPro, CHDHN-301, HERO3 Silver Edition**, are as follows.

| Band      | Position        | SAR <sub>1g</sub><br>(W/kg) |
|-----------|-----------------|-----------------------------|
| WLAN 2.4G | Body (0 cm Gap) | 1.23                        |

This device is in compliance with Specific Absorption Rate (SAR) for general population/uncontrolled exposure limits (1.6 W/kg) specified in FCC 47 CFR part 2 (2.1093) and ANSI/IEEE C95.1-1992, and had been tested in accordance with the measurement methods and procedures specified in IEEE 1528-2003 and FCC OET Bulletin 65 Supplement C (Edition 01-01).



## 2. Administration Data

### 2.1 Testing Laboratory

|                    |   |
|--------------------|---|
| Test Site          | SPORTON INTERNATIONAL INC.  |
| Test Site Location | No. 52, Hwa Ya 1 <sup>st</sup> Rd., Hwa Ya Technology Park,<br>Kwei-Shan Hsiang, Tao Yuan Hsien, Taiwan, R.O.C.<br>TEL: +886-3-327-3456<br>FAX: +886-3-328-4978 |

### 2.2 Applicant

|              |  |
|--------------|--|
| Company Name | Woodman Labs, Inc. (dba GoPro)                       |
| Address      | 3000 Clearview Way, Building E, San Mateo, CA. 94402 |

### 2.3 Manufacturer

|              |   |
|--------------|---|
| Company Name | Chicony Electronics ( Mainland China II ) Co., Ltd. |
| Address      | San Zhong Gong Li Qu, Qingxi, Dongguan, China       |

### 2.4 Application Details

|                               |               |
|-------------------------------|---------------|
| Date of Start during the Test | Aug. 15, 2012 |
| Date of End during the Test   | Aug. 15, 2012 |



### 3. General Information

#### 3.1 Description of Device Under Test (DUT)

| Product Feature & Specification   |  |
|---|--|
| DUT Type  | HERO3 Silver Edition   |
| Brand Name  | GoPro  |
| Model Name  | CHDHN-301  |
| Marketing Name  | HERO3 Silver Edition   |
| FCC ID  | CNFCHDHN301  |
| Tx Frequency  | 2412 MHz ~ 2462 MHz  |
| Rx Frequency  | 2412 MHz ~ 2462 MHz  |
| Maximum Average Output Power to Antenna   | 802.11b: 15.91 dBm<br>802.11g: 16.64 dBm   |
| Antenna Type  | Monopole Antenna   |
| HW Version  | B1   |
| SW Version  | V200   |
| Type of Modulation  | 802.11b: DSSS (BPSK / QPSK / CCK)<br>802.11g: OFDM (BPSK / QPSK / 16QAM / 64QAM) |
| DUT Stage   | Production Unit  |
| <b>Remark:</b> The above DUT's information was declared by manufacturer. Please refer to the specifications or user's manual for more detailed description. |  |

**List of Accessory:**

| Specification of Accessory |            |               |
|----------------------------|------------|---------------|
| Battery                    | Brand Name | Gopro         |
|                            | Model Name | 601-01017-000 |

**Remark:** The above DUT's information was declared by manufacturer. Please refer to the specifications or user's manual for more detailed description.

#### 3.2 Product Photos

Please refer to Appendix D.



### 3.3 Applied Standards

The Specific Absorption Rate (SAR) testing specification, method and procedure for this device is in accordance with the following standards:

- FCC 47 CFR Part 2 (2.1093)
- ANSI/IEEE C95.1-1992
- IEEE 1528-2003
- FCC OET Bulletin 65 Supplement C (Edition 01-01)
- FCC KDB 447498 D01 v04
- FCC KDB 941225 D06

### 3.4 Device Category and SAR Limits

This device belongs to portable device category because its radiating structure is allowed to be used within 20 centimeters of the body of the user. Limit for General Population/Uncontrolled exposure should be applied to this device, it is 1.6 W/kg as averaged over any 1 gram of tissue.

### 3.5 Test Conditions

#### 3.5.1. Ambient Condition

|                     |             |
|---------------------|-------------|
| Ambient Temperature | 20 to 24 °C |
| Humidity            | < 60 %      |

#### 3.5.2. Test Configuration

For WLAN SAR testing, WLAN engineering testing software installed on the DUT can provide continuous transmitting RF signal.

## **4. Specific Absorption Rate (SAR)**

### **4.1 Introduction**

SAR is related to the rate at which energy is absorbed per unit mass in an object exposed to a radio field. The SAR distribution in a biological body is complicated and is usually carried out by experimental techniques or numerical modeling. The standard recommends limits for two tiers of groups, occupational/controlled and general population/uncontrolled, based on a person's awareness and ability to exercise control over his or her exposure. In general, occupational/controlled exposure limits are higher than the limits for general population/uncontrolled.

### **4.2 SAR Definition**

The SAR definition is the time derivative (rate) of the incremental energy (dW) absorbed by (dissipated in) an incremental mass (dm) contained in a volume element (dv) of a given density ( $\rho$ ). The equation description is as below:

$$\mathbf{SAR} = \frac{d}{dt} \left( \frac{dW}{dm} \right) = \frac{d}{dt} \left( \frac{dW}{\rho dv} \right)$$

SAR is expressed in units of Watts per kilogram (W/kg)

SAR measurement can be either related to the temperature elevation in tissue by

$$\mathbf{SAR} = c \left( \frac{\delta T}{\delta t} \right)$$

Where: C is the specific heat capacity,  $\delta T$  is the temperature rise and  $\delta t$  is the exposure duration, or related to the electrical field in the tissue by

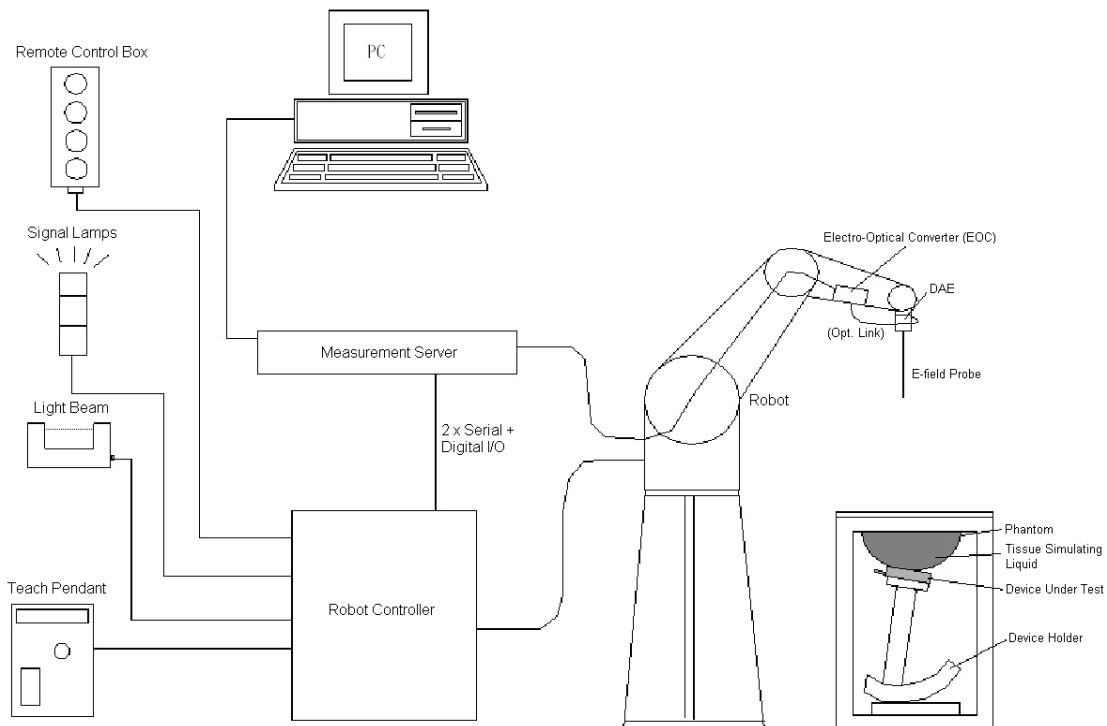
$$\mathbf{SAR} = \frac{\sigma |E|^2}{\rho}$$

Where:  $\sigma$  is the conductivity of the tissue,  $\rho$  is the mass density of the tissue and E is the RMS electrical field strength.

However for evaluating SAR of low power transmitter, electrical field measurement is typically applied.



## **5. SAR Measurement System**



**Fig 5.1 SPEAG DASY System Configurations**

The DASY system for performance compliance tests is illustrated above graphically. This system consists of the following items:

- A standard high precision 6-axis robot with controller, a teach pendant and software
- A data acquisition electronic (DAE) attached to the robot arm extension
- A dosimetric probe equipped with an optical surface detector system
- The electro-optical converter (EOC) performs the conversion between optical and electrical signals
- A measurement server performs the time critical tasks such as signal filtering, control of the robot operation and fast movement interrupts.
- A probe alignment unit which improves the accuracy of the probe positioning
- A computer operating Windows XP
- DASY software
- Remote control with teach pendant and additional circuitry for robot safety such as warning lamps, etc.
- The SAM twin phantom
- A device holder
- Tissue simulating liquid
- Dipole for evaluating the proper functioning of the system

Some of the components are described in details in the following sub-sections.

### 5.1 E-Field Probe

The SAR measurement is conducted with the dosimetric probe (manufactured by SPEAG). The probe is specially designed and calibrated for use in liquid with high permittivity. The dosimetric probe has special calibration in liquid at different frequencies. This probe has a built in optical surface detection system to prevent from collision with phantom.

#### 5.1.1 E-Field Probe Specification

##### <ET3DV6 Probe >

|                      |  |
|----------------------|--|
| <b>Construction</b>  | Symmetrical design with triangular core<br>Built-in optical fiber for surface detection system.<br>Built-in shielding against static charges.<br>PEEK enclosure material (resistant to organic solvents, e.g., DGBE) |
| <b>Frequency</b>     | 10 MHz to 3 GHz; Linearity: $\pm 0.2$ dB   |
| <b>Directivity</b>   | $\pm 0.2$ dB in HSL (rotation around probe axis)<br>$\pm 0.4$ dB in HSL (rotation normal to probe axis)  |
| <b>Dynamic Range</b> | 5 $\mu$ W/g to 100 mW/g; Linearity: $\pm 0.2$ dB   |
| <b>Dimensions</b>    | Overall length: 330 mm (Tip: 16 mm)<br>Tip diameter: 6.8 mm (Body: 12 mm)<br>Distance from probe tip to dipole centers: 2.7 mm   |

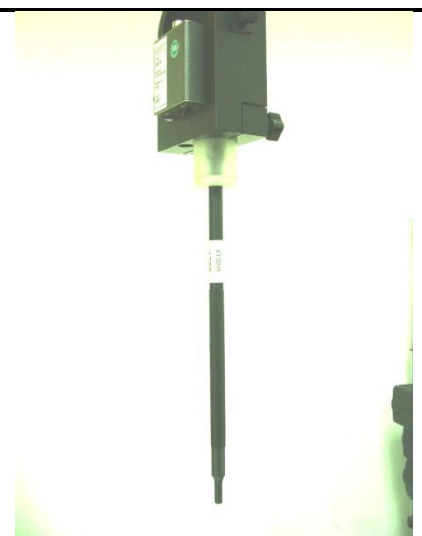


Fig 5.2 Photo of ET3DV6

##### <EX3DV4 Probe>

|                      |   |
|----------------------|---|
| <b>Construction</b>  | Symmetrical design with triangular core<br>Built-in shielding against static charges<br>PEEK enclosure material (resistant to organic solvents, e.g., DGBE) |
| <b>Frequency</b>     | 10 MHz to 6 GHz; Linearity: $\pm 0.2$ dB  |
| <b>Directivity</b>   | $\pm 0.3$ dB in HSL (rotation around probe axis)<br>$\pm 0.5$ dB in tissue material (rotation normal to probe axis)   |
| <b>Dynamic Range</b> | 10 $\mu$ W/g to 100 mW/g; Linearity: $\pm 0.2$ dB<br>(noise: typically $< 1$ $\mu$ W/g)   |
| <b>Dimensions</b>    | Overall length: 330 mm (Tip: 20 mm)<br>Tip diameter: 2.5 mm (Body: 12 mm)<br>Typical distance from probe tip to dipole centers: 1 mm                        |



Fig 5.3 Photo of EX3DV4

### 5.1.2 E-Field Probe Calibration

Each probe needs to be calibrated according to a dosimetric assessment procedure with accuracy better than  $\pm 10\%$ . The spherical isotropy shall be evaluated and within  $\pm 0.25$  dB. The sensitivity parameters (NormX, NormY, and NormZ), the diode compression parameter (DCP) and the conversion factor (ConvF) of the probe are tested. The calibration data can be referred to Appendix C of this report.

## 5.2 Data Acquisition Electronics (DAE)

The data acquisition electronics (DAE) consists of a highly sensitive electrometer-grade pre-amplifier with auto-zeroing, a channel and gain-switching multiplexer, a fast 16 bit AD-converter and a command decoder and control logic unit. Transmission to the measurement server is accomplished through an optical downlink for data and status information as well as an optical uplink for commands and the clock.

The input impedance of the DAE is 200 MOhm; the inputs are symmetrical and floating. Common mode rejection is above 80 dB.



**Fig 5.4 Photo of DAE**

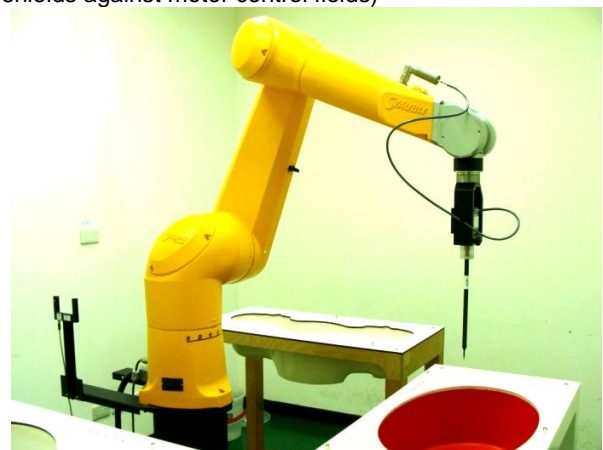
## 5.3 Robot

The SPEAG DASY system uses the high precision robots (DASY4: RX90BL; DASY5: TX90XL) type from Stäubli SA (France). For the 6-axis controller system, the robot controller version (DASY4: CS7MB; DASY5: CS8c) from Stäubli is used. The Stäubli robot series have many features that are important for our application:

- High precision (repeatability  $\pm 0.035$  mm)
- High reliability (industrial design)
- Jerk-free straight movements
- Low ELF interference (the closed metallic construction shields against motor control fields)



**Fig 5.5 Photo of DASY4**



**Fig 5.6 Photo of DASY5**

**5.4 Measurement Server**

The measurement server is based on a PC/104 CPU board with CPU (DASY4: 166 MHz, Intel Pentium; DASY5: 400 MHz, Intel Celeron), chipdisk (DASY4: 32 MB; DASY5: 128 MB), RAM (DASY4: 64 MB, DASY5: 128 MB). The necessary circuits for communication with the DAE electronic box, as well as the 16 bit AD converter system for optical detection and digital I/O interface are contained on the DASY I/O board, which is directly connected to the PC/104 bus of the CPU board.

The measurement server performs all the real-time data evaluation for field measurements and surface detection, controls robot movements and handles safety operations.



Fig 5.7 Photo of Server for DASY4



Fig 5.8 Photo of Server for DASY5

**5.5 Phantom**

<SAM Twin Phantom>

|                   |  |
|-------------------|--|
| Shell Thickness   | 2 ± 0.2 mm;<br>Center ear point: 6 ± 0.2 mm                |
| Filling Volume    | Approx. 25 liters  |
| Dimensions        | Length: 1000 mm; Width: 500 mm;<br>Height: adjustable feet |
| Measurement Areas | Left Hand, Right Hand, Flat Phantom                        |



Fig 5.9 Photo of SAM Phantom

The bottom plate contains three pair of bolts for locking the device holder. The device holder positions are adjusted to the standard measurement positions in the three sections. A white cover is provided to tap the phantom during off-periods to prevent water evaporation and changes in the liquid parameters. On the phantom top, three reference markers are provided to identify the phantom position with respect to the robot.

**<ELI4 Phantom>**

|                        |  |
|------------------------|--|
| <b>Shell Thickness</b> | 2 ± 0.2 mm (sagging: <1%)                        |
| <b>Filling Volume</b>  | Approx. 30 liters                                |
| <b>Dimensions</b>      | Major ellipse axis: 600 mm<br>Minor axis: 400 mm |



**Fig 5.10 Photo of ELI4 Phantom**

The ELI4 phantom is intended for compliance testing of handheld and body-mounted wireless devices in the frequency range of 30 MHz to 6 GHz. ELI4 is fully compatible with standard and all known tissue simulating liquids.

**5.6 Device Holder**

**<Device Holder for SAM Twin Phantom>**

The SAR in the phantom is approximately inversely proportional to the square of the distance between the source and the liquid surface. For a source at 5 mm distance, a positioning uncertainty of ± 0.5 mm would produce a SAR uncertainty of ± 20 %. Accurate device positioning is therefore crucial for accurate and repeatable measurements. The positions in which the devices must be measured are defined by the standards.

The DASY device holder is designed to cope with different positions given in the standard. It has two scales for the device rotation (with respect to the body axis) and the device inclination (with respect to the line between the ear reference points). The rotation center for both scales is the ear reference point (ERP). Thus the device needs no repositioning when changing the angles.

The DASY device holder is constructed of low-loss POM material having the following dielectric parameters: relative permittivity  $\epsilon = 3$  and loss tangent  $\delta = 0.02$ . The amount of dielectric material has been reduced in the closest vicinity of the device, since measurements have suggested that the influence of the clamp on the test results could thus be lowered.



Fig 5.11 Device Holder

#### <Laptop Extension Kit>

The extension is lightweight and made of POM, acrylic glass and foam. It fits easily on the upper part of the mounting device in place of the phone positioned. The extension is fully compatible with the SAM Twin and ELI phantoms.

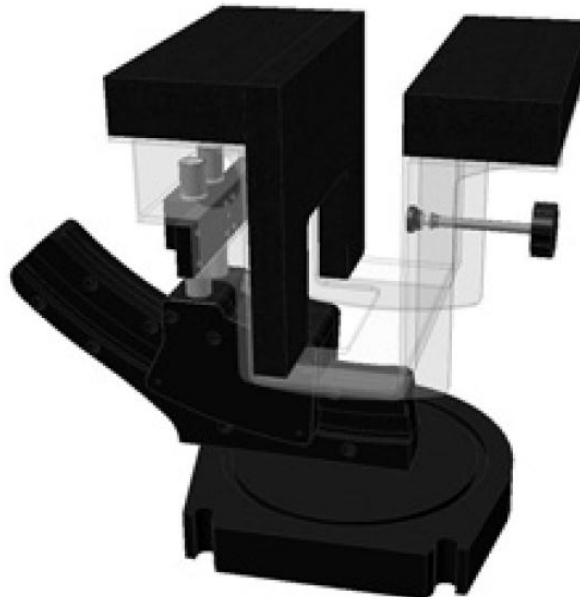


Fig 5.12 Laptop Extension Kit



## 5.7 Data Storage and Evaluation

### 5.7.1. Data Storage

The DASY software stores the assessed data from the data acquisition electronics as raw data (in microvolt readings from the probe sensors), together with all the necessary software parameters for the data evaluation (probe calibration data, liquid parameters and device frequency and modulation data) in measurement files. The post-processing software evaluates the desired unit and format for output each time the data is visualized or exported. This allows verification of the complete software setup even after the measurement and allows correction of erroneous parameter settings. For example, if a measurement has been performed with an incorrect crest factor parameter in the device setup, the parameter can be corrected afterwards and the data can be reevaluated.

The measured data can be visualized or exported in different units or formats, depending on the selected probe type (e.g., [V/m], [A/m], [mW/g]). Some of these units are not available in certain situations or give meaningless results, e.g., a SAR-output in a non-loss media, will always be zero. Raw data can also be exported to perform the evaluation with other software packages.

### 5.7.2. Data Evaluation

The DASY post-processing software (SEMCAD) automatically executes the following procedures to calculate the field units from the microvolt readings at the probe connector. The parameters used in the evaluation are stored in the configuration modules of the software :

|                            |                           |                                  |
|----------------------------|---------------------------|----------------------------------|
| <b>Probe parameters :</b>  | - Sensitivity             | $Norm_i, a_{i0}, a_{i1}, a_{i2}$ |
|                            | - Conversion factor       | $ConvF_i$                        |
|                            | - Diode compression point | $dcp_i$                          |
| <b>Device parameters :</b> | - Frequency               | $f$                              |
|                            | - Crest factor            | $cf$                             |
| <b>Media parameters :</b>  | - Conductivity            | $\sigma$                         |
|                            | - Density                 | $\rho$                           |

These parameters must be set correctly in the software. They can be found in the component documents or they can be imported into the software from the configuration files issued for the DASY components. In the direct measuring mode of the multi-meter option, the parameters of the actual system setup are used. In the scan visualization and export modes, the parameters stored in the corresponding document files are used.

The first step of the evaluation is a linearization of the filtered input signal to account for the compression characteristics of the detector diode. The compensation depends on the input signal, the diode type and the DC-transmission factor from the diode to the evaluation electronics. If the exciting field is pulsed, the crest factor of the signal must be known to correctly compensate for peak power.

The formula for each channel can be given as :

$$V_i = U_i + U_i^2 \cdot \frac{cf}{dcp_i}$$

with  $V_i$  = compensated signal of channel i, (i = x, y, z)  
 $U_i$  = input signal of channel i, (i = x, y, z)  
 cf = crest factor of exciting field (DASY parameter)  
 dcp<sub>i</sub> = diode compression point (DASY parameter)

From the compensated input signals, the primary field data for each channel can be evaluated :

$$\text{E-field Probes : } E_i = \sqrt{\frac{V_i}{\text{Norm}_i \cdot \text{ConvF}}}$$

$$\text{H-field Probes : } H_i = \sqrt{V_i} \cdot \frac{a_{i0} + a_{i1}f + a_{i2}f^2}{f}$$

with  $V_i$  = compensated signal of channel i, (i = x, y, z)  
 Norm<sub>i</sub> = sensor sensitivity of channel i, (i = x, y, z),  $\mu V/(V/m)^2$  for E-field Probes  
 ConvF = sensitivity enhancement in solution  
 a<sub>ij</sub> = sensor sensitivity factors for H-field probes  
 f = carrier frequency [GHz]  
 E<sub>i</sub> = electric field strength of channel i in V/m  
 H<sub>i</sub> = magnetic field strength of channel i in A/m

The RSS value of the field components gives the total field strength (Hermitian magnitude) :

$$E_{\text{tot}} = \sqrt{E_x^2 + E_y^2 + E_z^2}$$

The primary field data are used to calculate the derived field units.

$$SAR = E_{\text{tot}}^2 \cdot \frac{\sigma}{\rho \cdot 1000}$$

with SAR = local specific absorption rate in mW/g  
 E<sub>tot</sub> = total field strength in V/m  
 σ = conductivity in [mho/m] or [Siemens/m]  
 ρ = equivalent tissue density in g/cm<sup>3</sup>

Note that the density is set to 1, to account for actual head tissue density rather than the density of the tissue simulating liquid.





**5.8 Test Equipment List**

| Manufacturer | Name of Equipment                           | Type/Model    | Serial Number | Calibration   |               |
|--------------|---|---------------|---------------|---------------|---------------|
|              |   |               |               | Last Cal.     | Due Date      |
| SPEAG        | 2450MHz System Validation Kit               | D2450V2       | 736           | Jul. 25, 2011 | Jul. 24, 2013 |
| SPEAG        | Data Acquisition Electronics                | DAE3          | 495           | Apr. 23, 2012 | Apr. 22, 2013 |
| SPEAG        | Dosimetric E-Field Probe                    | EX3DV4        | 3792          | Jun. 21, 2012 | Jun. 20, 2013 |
| SPEAG        | Device Holder                               | N/A           | N/A           | NCR           | NCR           |
| SPEAG        | SAM Phantom                                 | QD 000 P40 C  | TP-1303       | NCR           | NCR           |
| SPEAG        | SAM Phantom                                 | QD 000 P40 C  | TP-1383       | NCR           | NCR           |
| SPEAG        | SAM Phantom                                 | QD 000 P40 C  | TP-1446       | NCR           | NCR           |
| SPEAG        | SAM Phantom                                 | QD 000 P40 C  | TP-1478       | NCR           | NCR           |
| SPEAG        | SAM Phantom                                 | QD 000 P41 C  | TP-1150       | NCR           | NCR           |
| SPEAG        | SAM Phantom                                 | QD 000 P40 CD | TP-1644       | NCR           | NCR           |
| SPEAG        | SAM Phantom                                 | SM 000 T01 DA | TP-1542       | NCR           | NCR           |
| SPEAG        | ELI4 Phantom                                | QD 0VA 001 BB | 1026          | NCR           | NCR           |
| SPEAG        | ELI4 Phantom                                | QD 0VA 001 BA | 1029          | NCR           | NCR           |
| SPEAG        | ELI4 Phantom                                | QD 0VA 002 AA | TP-1127       | NCR           | NCR           |
| SPEAG        | ELI4 Phantom                                | QD 0VA 002 AA | TP-1131       | NCR           | NCR           |
| Agilent      | Network Analyzer                            | E5071C        | MY46101588    | May 11, 2012  | May 10, 2013  |
| Agilent      | ESG Vector Series Signal Generator          | E4438C        | MY49070755    | Oct. 17, 2011 | Oct. 16, 2012 |
| Anritsu      | Power Meter                                 | ML2495A       | 0932001       | Sep. 21, 2011 | Sep. 20, 2012 |
| Anritsu      | Radio Communication Analyzer                | MT8820C       | 6201074414    | Dec. 21, 2011 | Dec. 20, 2012 |
| Agilent      | Wireless Communication Test Set             | E5515C        | MY48360820    | Jan. 05, 2012 | Jan. 04, 2014 |
| Agilent      | Wireless Communication Test Set             | E5515C        | GB46311322    | Mar. 23, 2011 | Mar. 22, 2013 |
| Agilent      | Wireless Communication Test Set             | E5515C        | MY50264370    | Apr. 19, 2011 | Apr. 18, 2013 |
| Agilent      | Wireless Communication Test Set             | E5515C        | MY50266977    | Nov. 13, 2011 | Nov. 12, 2013 |
| R&S          | Universal Digital Radiocommunication Tester | CMU200        | 117997        | Aug. 22, 2011 | Aug. 21, 2012 |
| R&S          | Spectrum Analyzer                           | FSP           | 101131        | Jul. 23, 2012 | Jul. 22, 2013 |

**Table 5.1 Test Equipment List**

**Note:**

1. The calibration certificate of DASY can be referred to Appendix C of this report.
2. Referring to KDB 450824 D02, the dipole calibration interval can be extended to 3 years with justification. The dipoles are also not physically damaged, or repaired during the interval.
3. The justification data of dipole D2450V2, SN: 736 can be found in appendix C. The return loss is < -20dB, within 20% of prior calibration, the impedance is within 5 ohm of prior calibration.

## 6. Tissue Simulating Liquids

For the measurement of the field distribution inside the SAM phantom with DASY, the phantom must be filled with around 25 liters of homogeneous body tissue simulating liquid. For head SAR testing, the liquid height from the ear reference point (ERP) of the phantom to the liquid top surface is larger than 15 cm, which is shown in Fig. 6.1. For body SAR testing, the liquid height from the center of the flat phantom to the liquid top surface is larger than 15 cm, which is shown in Fig. 6.2.

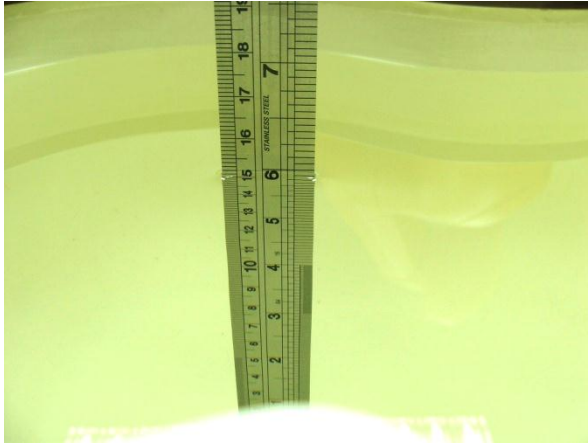


Fig 6.1 Photo of Liquid Height for Head SAR

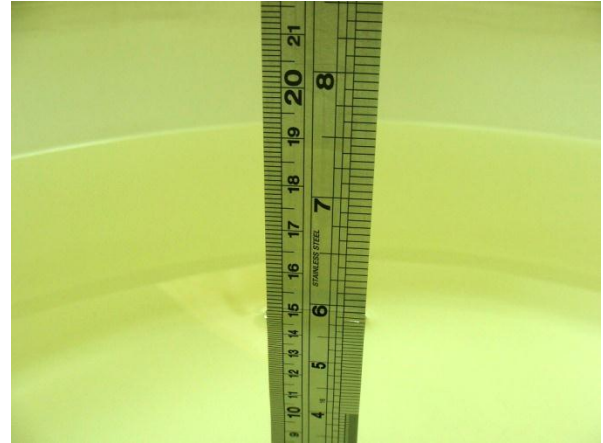


Fig 6.2 Photo of Liquid Height for Body SAR

The following table gives the recipes for tissue simulating liquid.

| Frequency (MHz) | Water (%) | Sugar (%) | Cellulose (%) | Salt (%) | Preventol (%) | DGBE (%) | Conductivity ( $\sigma$ ) | Permittivity ( $\epsilon_r$ ) |
|-----------------|-----------|-----------|---------------|----------|---------------|----------|---------------------------|-------------------------------|
| <b>For Head</b> |           |           |               |          |               |          |                           |                               |
| 2450            | 55.0      | 0         | 0             | 0        | 0             | 45.0     | 1.80                      | 39.2                          |
| <b>For Body</b> |           |           |               |          |               |          |                           |                               |
| 2450            | 68.6      | 0         | 0             | 0        | 0             | 31.4     | 1.95                      | 52.7                          |

Table 6.1 Recipes of Tissue Simulating Liquid

The dielectric parameters of the liquids were verified prior to the SAR evaluation using an Agilent 85070D Dielectric Probe Kit and an Agilent Network Analyzer.

The following table shows the measurement results for simulating liquid.

| Freq. (MHz) | Liquid Type | Temp. (°C) | Conductivity ( $\sigma$ ) | Permittivity ( $\epsilon_r$ ) | Conductivity Target ( $\sigma$ ) | Permittivity Target ( $\epsilon_r$ ) | Delta ( $\sigma$ ) (%) | Delta ( $\epsilon_r$ ) (%) | Limit (%) | Date          |
|-------------|-------------|------------|---------------------------|-------------------------------|----------------------------------|--------------------------------------|------------------------|----------------------------|-----------|---------------|
| 2450        | Body        | 21.4       | 1.969                     | 52.278                        | 1.95                             | 52.7                                 | 0.97                   | -0.80                      | ±5        | Aug. 15, 2012 |

Table 6.2 Measuring Results for Simulating Liquid

## 7. SAR Measurement Evaluation

Each DASY system is equipped with one or more system validation kits. These units, together with the predefined measurement procedures within the DASY software, enable the user to conduct the system performance check and system validation. System validation kit includes a dipole, tripod holder to fix it underneath the flat phantom and a corresponding distance holder.

### 7.1 Purpose of System Performance check

The system performance check verifies that the system operates within its specifications. System and operator errors can be detected and corrected. It is recommended that the system performance check be performed prior to any usage of the system in order to guarantee reproducible results. The system performance check uses normal SAR measurements in a simplified setup with a well characterized source. This setup was selected to give a high sensitivity to all parameters that might fail or vary over time. The system check does not intend to replace the calibration of the components, but indicates situations where the system uncertainty is exceeded due to drift or failure.

### 7.2 System Setup

In the simplified setup for system evaluation, the DUT is replaced by a calibrated dipole and the power source is replaced by a continuous wave that comes from a signal generator. The calibrated dipole must be placed beneath the flat phantom section of the SAM twin phantom with the correct distance holder. The distance holder should touch the phantom surface with a light pressure at the reference marking and be oriented parallel to the long side of the phantom. The equipment setup is shown below:

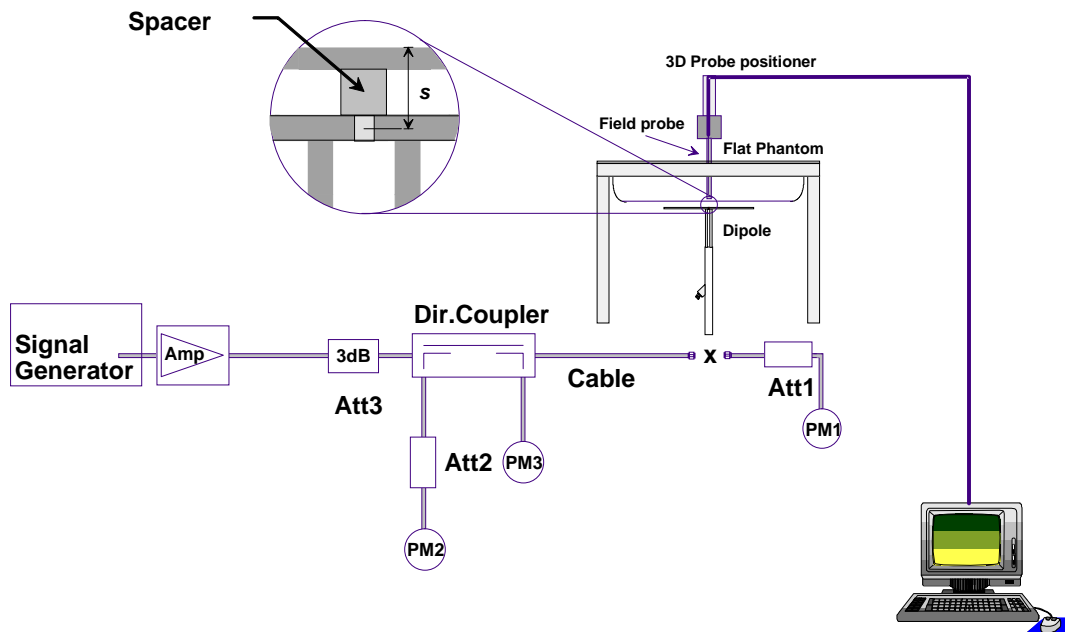
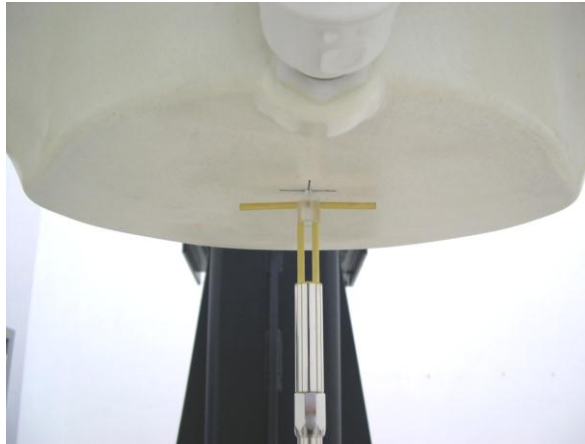


Fig 7.1 System Setup for System Evaluation

1. Signal Generator
2. Amplifier
3. Directional Coupler
4. Power Meter
5. Calibrated Dipole

The output power on dipole port must be calibrated to 24 dBm (250 mW) before dipole is connected.



**Fig 7.2 Photo of Dipole Setup**

**7.3 Validation Results**

Comparing to the original SAR value provided by SPEAG, the validation data should be within its specification of 10 %. Table 8.1 shows the target SAR and measured SAR after normalized to 1W input power. The table below indicates the system performance check can meet the variation criterion and the plots can be referred to Appendix A of this report.

| Measurement Date | Frequency (MHz) | Liquid Type | Targeted SAR <sub>1g</sub> (W/kg) | Measured SAR <sub>1g</sub> (W/kg) | Normalized SAR <sub>1g</sub> (W/kg) | Deviation (%) |
|------------------|-----------------|-------------|-----------------------------------|-----------------------------------|-------------------------------------|---------------|
| Aug. 15, 2012    | 2450            | Body        | 52.30                             | 13                                | 52.00                               | -0.57         |

**Table 7.1 Target and Measurement SAR after Normalized**

**8. DUT Testing Position**

This DUT was tested in six different positions. They are Back, Front, Top Side, Bottom Side, Left Side, and Right Side. In these positions, the surface of DUT is touching with phantom 0 mm gap. Please refer to Appendix E for the test setup photos.

## **9. Measurement Procedures**

The measurement procedures are as follows:

- (a) Use engineering software to transmit RF power continuously (continuous Tx) in the highest power channel.
- (b) Keep DUT to radiate 100% duty factor.
- (c) Measure output power through RF cable and power meter.
- (d) Place the DUT in the positions as Appendix E demonstrates.
- (e) Set scan area, grid size and other setting on the DASY software.
- (f) Measure SAR results for the highest power channel on each testing position.
- (g) Find out the largest SAR result on these testing positions of each band
- (h) Measure SAR results for other channels in worst SAR testing position if the SAR of highest power channel is larger than 0.8 W/kg

According to the test standard, the recommended procedure for assessing the peak spatial-average SAR value consists of the following steps:

- (a) Power reference measurement
- (b) Area scan
- (c) Zoom scan
- (d) Power drift measurement

### **9.1 Spatial Peak SAR Evaluation**

The procedure for spatial peak SAR evaluation has been implemented according to the test standard. It can be conducted for 1g and 10g, as well as for user-specific masses. The DASY software includes all numerical procedures necessary to evaluate the spatial peak SAR value.

The base for the evaluation is a "cube" measurement. The measured volume must include the 1g and 10g cubes with the highest averaged SAR values. For that purpose, the center of the measured volume is aligned to the interpolated peak SAR value of a previously performed area scan.

The entire evaluation of the spatial peak values is performed within the post-processing engine (SEMCAD). The system always gives the maximum values for the 1g and 10g cubes. The algorithm to find the cube with highest averaged SAR is divided into the following stages:

- (a) Extraction of the measured data (grid and values) from the Zoom Scan
- (b) Calculation of the SAR value at every measurement point based on all stored data (A/D values and measurement parameters)
- (c) Generation of a high-resolution mesh within the measured volume
- (d) Interpolation of all measured values from the measurement grid to the high-resolution grid
- (e) Extrapolation of the entire 3-D field distribution to the phantom surface over the distance from sensor to surface
- (f) Calculation of the averaged SAR within masses of 1g and 10g

## **9.2 Area & Zoom Scan Procedures**

First Area Scan is used to locate the approximate location(s) of the local peak SAR value(s). The measurement grid within an Area Scan is defined by the grid extent, grid step size and grid offset. Next, in order to determine the EM field distribution in a three-dimensional spatial extension, Zoom Scan is required. The Zoom Scan measures 5x5x7 points with step size 8, 8 and 5 mm for 300 MHz to 3 GHz, and 8x8x8 points with step size 4, 4 and 2.5 mm for 3 GHz to 6 GHz. The Zoom Scan is performed around the highest E-field value to determine the averaged SAR-distribution over 10 g.

## **9.3 Volume Scan Procedures**

The volume scan is used for assess overlapping SAR distributions for antennas transmitting in different frequency bands. It is equivalent to an oversized zoom scan used in standalone measurements. The measurement volume will be used to enclose all the simultaneous transmitting antennas. For antennas transmitting simultaneously in different frequency bands, the volume scan is measured separately in each frequency band. In order to sum correctly to compute the 1g aggregate SAR, the DUT remain in the same test position for all measurements and all volume scan use the same spatial resolution and grid spacing (step-size is 4, 4 and 2.5 mm). When all volume scan were completed, the software, SEMCAD postprocessor can combine and subsequently superpose these measurement data to calculating the multi-band SAR.

## **9.4 SAR Averaged Methods**

In DASYS, the interpolation and extrapolation are both based on the modified Quadratic Shepard's method. The interpolation scheme combines a least-square fitted function method and a weighted average method which are the two basic types of computational interpolation and approximation.

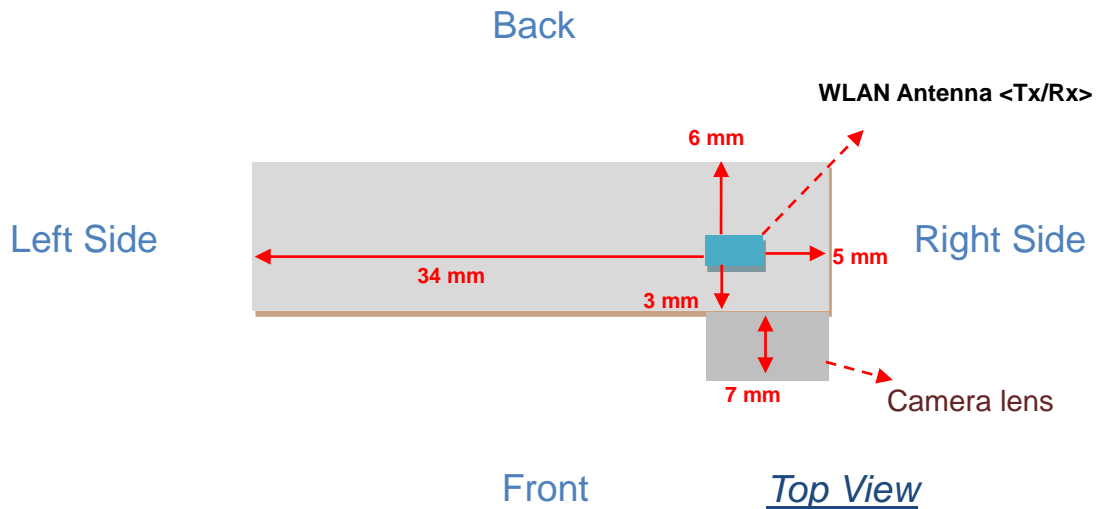
Extrapolation routines are used to obtain SAR values between the lowest measurement points and the inner phantom surface. The extrapolation distance is determined by the surface detection distance and the probe sensor offset. The uncertainty increases with the extrapolation distance. To keep the uncertainty within 1% for the 1 g and 10 g cubes, the extrapolation distance should not be larger than 5 mm.

## **9.5 Power Drift Monitoring**

All SAR testing is under the DUT install full charged battery and transmit maximum output power. In DASYS measurement software, the power reference measurement and power drift measurement procedures are used for monitoring the power drift of DUT during SAR test. Both these procedures measure the field at a specified reference position before and after the SAR testing. The software will calculate the field difference in dB. If the power drift more than 5%, the SAR will be retested.

## 10. SAR Test Configurations

### 10.1 Exposure Positions Consideration



| Test distance: 0 mm |      |       |          |             |            |           |
|---------------------|------|-------|----------|-------------|------------|-----------|
| Band                | Back | Front | Top Side | Bottom Side | Right Side | Left Side |
| WLAN 2.4GHz         | Yes  | Yes   | Yes      | Yes         | Yes        | Yes       |

**Note:** Referring to KDB 941225 D06, when the overall device length and width are < 9cm\*5cm, SAR must be measured for all sides and surfaces, and the test distance is 5 mm or less. SAR measurement was performed with 0mm separation distance for more conservative evaluation.



**10.2 Conducted Power (Unit: dBm)**

| WLAN 2.4G 802.11b Average Power (dBm) |                 |                 |                     |                 |       |       |
|---------------------------------------|-----------------|-----------------|---------------------|-----------------|-------|-------|
| Power vs. Channel                     |                 |                 | Power vs. Data Rate |                 |       |       |
| Channel                               | Frequency (MHz) | Data Rate (bps) | Channel             | Data Rate (bps) |       |       |
|                                       |                 | 1M              |                     | 2M              | 5.5M  | 11M   |
| CH 01                                 | 2412            | 14.71           | CH 11               | 15.85           | 15.88 | 15.91 |
| CH 06                                 | 2437            | 15.75           |                     |                 |       |       |
| CH 11                                 | 2462            | 15.81           |                     |                 |       |       |

| WLAN 2.4G 802.11g Average Power (dBm) |                 |                 |                     |                 |       |       |       |       |       |       |
|---------------------------------------|-----------------|-----------------|---------------------|-----------------|-------|-------|-------|-------|-------|-------|
| Power vs. Channel                     |                 |                 | Power vs. Data Rate |                 |       |       |       |       |       |       |
| Channel                               | Frequency (MHz) | Data Rate (bps) | Channel             | Data Rate (bps) |       |       |       |       |       |       |
|                                       |                 | 6M              |                     | 9M              | 12M   | 18M   | 24M   | 36M   | 48M   | 54M   |
| CH 01                                 | 2412            | 9.87            | CH 06               | 16.60           | 16.56 | 16.52 | 16.49 | 16.45 | 16.39 | 16.35 |
| CH 06                                 | 2437            | 16.64           |                     |                 |       |       |       |       |       |       |
| CH 11                                 | 2462            | 12.04           |                     |                 |       |       |       |       |       |       |

**Note:**

1. Per KDB 248227, choose the lowest data rate, highest output power channel to test SAR and determine further SAR exclusion; CH11 1Mbps was chosen.
2. Per KDB 248227, 11g average output power is higher than 1/4 dB higher than 11b mode, SAR will be verified in the worst case that obtain from the 11b SAR testing.
3. For each frequency band, testing at higher data rates and higher order modulations is not required when the maximum average output power for each of these configurations is less than 1/4 dB higher than those measured at the lowest data rate.





## 11. SAR Test Results

### 11.1 Test Records for Body SAR Test

| Plot No. | Band            | Mode           | Test Position   | Gap (cm) | Ch.      | Frequency (MHz) | Power Drift  | SAR <sub>1g</sub> (W/kg) |
|----------|-----------------|----------------|-----------------|----------|----------|-----------------|--------------|--------------------------|
| 1        | WLAN2.4G        | 802.11b        | Front           | 0        | 11       | 2462            | 0.13         | 0.031                    |
| 2        | WLAN2.4G        | 802.11b        | Back            | 0        | 11       | 2462            | 0.15         | 0.425                    |
| 3        | WLAN2.4G        | 802.11b        | Left Side       | 0        | 11       | 2462            | 0.08         | 0.138                    |
| 4        | WLAN2.4G        | 802.11b        | Right Side      | 0        | 11       | 2462            | -0.15        | 0.084                    |
| 5        | WLAN2.4G        | 802.11b        | Top Side        | 0        | 1        | 2412            | 0.16         | 1.01                     |
| 6        | WLAN2.4G        | 802.11b        | Top Side        | 0        | 6        | 2437            | 0.18         | 1.16                     |
| 7        | WLAN2.4G        | 802.11b        | Top Side        | 0        | 11       | 2462            | -0.13        | 1.04                     |
| 8        | WLAN2.4G        | 802.11g        | Top Side        | 0        | 1        | 2412            | 0.11         | 0.264                    |
| 9        | <b>WLAN2.4G</b> | <b>802.11g</b> | <b>Top Side</b> | <b>0</b> | <b>6</b> | <b>2437</b>     | <b>-0.14</b> | <b>1.23</b>              |
| 10       | WLAN2.4G        | 802.11g        | Top Side        | 0        | 11       | 2462            | -0.03        | 0.457                    |
| 11       | WLAN2.4G        | 802.11b        | Bottom Side     | 0        | 11       | 2462            | -0.15        | 0.188                    |

**Note:**

1. Per KDB 447498, if the highest output channel SAR for each exposure position  $\leq 0.8$  W/kg other channels SAR tests are not necessary.
2. Referring to KDB 941225 D06, when the overall device length and width are  $< 9\text{cm} \times 5\text{cm}$ , SAR must be measured for all sides and surfaces, and the test distance is 5 mm or less. SAR measurement was performed with 0mm separation distance for more conservative evaluation.
3. There is no simultaneous transmission on this product, therefore simultaneous SAR analysis is not required.

Test Engineer : Nick Yu and San Lin

## 12. Uncertainty Assessment

The component of uncertainty may generally be categorized according to the methods used to evaluate them. The evaluation of uncertainty by the statistical analysis of a series of observations is termed a Type A evaluation of uncertainty. The evaluation of uncertainty by means other than the statistical analysis of a series of observations is termed a Type B evaluation of uncertainty. Each component of uncertainty, however evaluated, is represented by an estimated standard deviation, termed standard uncertainty, which is determined by the positive square root of the estimated variance.

A Type A evaluation of standard uncertainty may be based on any valid statistical method for treating data. This includes calculating the standard deviation of the mean of a series of independent observations; using the method of least squares to fit a curve to the data in order to estimate the parameter of the curve and their standard deviations; or carrying out an analysis of variance in order to identify and quantify random effects in certain kinds of measurement.

A type B evaluation of standard uncertainty is typically based on scientific judgment using all of the relevant information available. These may include previous measurement data, experience and knowledge of the behavior and properties of relevant materials and instruments, manufacture's specification, data provided in calibration reports and uncertainties assigned to reference data taken from handbooks. Broadly speaking, the uncertainty is either obtained from an outdoor source or obtained from an assumed distribution, such as the normal distribution, rectangular or triangular distributions indicated in Table 12.1

| Uncertainty Distributions          | Normal             | Rectangular | Triangular | U-Shape |
|------------------------------------|--------------------|-------------|------------|---------|
| Multi-plying Factor <sup>(a)</sup> | 1/k <sup>(b)</sup> | 1/√3        | 1/√6       | 1/√2    |

(a) standard uncertainty is determined as the product of the multiplying factor and the estimated range of variations in the measured quantity

(b)  $\kappa$  is the coverage factor

**Table 12.1 Standard Uncertainty for Assumed Distribution**

The combined standard uncertainty of the measurement result represents the estimated standard deviation of the result. It is obtained by combining the individual standard uncertainties of both Type A and Type B evaluation using the usual "root-sum-squares" (RSS) methods of combining standard deviations by taking the positive square root of the estimated variances.

Expanded uncertainty is a measure of uncertainty that defines an interval about the measurement result within which the measured value is confidently believed to lie. It is obtained by multiplying the combined standard uncertainty by a coverage factor. Typically, the coverage factor ranges from 2 to 3. Using a coverage factor allows the true value of a measured quantity to be specified with a defined probability within the specified uncertainty range. For purpose of this document, a coverage factor two is used, which corresponds to confidence interval of about 95 %. The DASY uncertainty Budget is shown in the following tables.



| Error Description                    | Uncertainty Value (±%) | Probability Distribution | Divisor | Ci (1g) | Ci (10g) | Standard Uncertainty (1g) | Standard Uncertainty (10g) |
|--------------------------------------|------------------------|--------------------------|---------|---------|----------|---------------------------|----------------------------|
| <b>Measurement System</b>            |                        |                          |         |         |          |                           |                            |
| Probe Calibration                    | 6.0                    | Normal                   | 1       | 1       | 1        | ± 6.0 %                   | ± 6.0 %                    |
| Axial Isotropy                       | 4.7                    | Rectangular              | √3      | 0.7     | 0.7      | ± 1.9 %                   | ± 1.9 %                    |
| Hemispherical Isotropy               | 9.6                    | Rectangular              | √3      | 0.7     | 0.7      | ± 3.9 %                   | ± 3.9 %                    |
| Boundary Effects                     | 1.0                    | Rectangular              | √3      | 1       | 1        | ± 0.6 %                   | ± 0.6 %                    |
| Linearity                            | 4.7                    | Rectangular              | √3      | 1       | 1        | ± 2.7 %                   | ± 2.7 %                    |
| System Detection Limits              | 1.0                    | Rectangular              | √3      | 1       | 1        | ± 0.6 %                   | ± 0.6 %                    |
| Readout Electronics                  | 0.3                    | Normal                   | 1       | 1       | 1        | ± 0.3 %                   | ± 0.3 %                    |
| Response Time                        | 0.8                    | Rectangular              | √3      | 1       | 1        | ± 0.5 %                   | ± 0.5 %                    |
| Integration Time                     | 2.6                    | Rectangular              | √3      | 1       | 1        | ± 1.5 %                   | ± 1.5 %                    |
| RF Ambient Noise                     | 3.0                    | Rectangular              | √3      | 1       | 1        | ± 1.7 %                   | ± 1.7 %                    |
| RF Ambient Reflections               | 3.0                    | Rectangular              | √3      | 1       | 1        | ± 1.7 %                   | ± 1.7 %                    |
| Probe Positioner                     | 0.4                    | Rectangular              | √3      | 1       | 1        | ± 0.2 %                   | ± 0.2 %                    |
| Probe Positioning                    | 2.9                    | Rectangular              | √3      | 1       | 1        | ± 1.7 %                   | ± 1.7 %                    |
| Max. SAR Eval.                       | 1.0                    | Rectangular              | √3      | 1       | 1        | ± 0.6 %                   | ± 0.6 %                    |
| <b>Test Sample Related</b>           |                        |                          |         |         |          |                           |                            |
| Device Positioning                   | 2.9                    | Normal                   | 1       | 1       | 1        | ± 2.9 %                   | ± 2.9 %                    |
| Device Holder                        | 3.6                    | Normal                   | 1       | 1       | 1        | ± 3.6 %                   | ± 3.6 %                    |
| Power Drift                          | 5.0                    | Rectangular              | √3      | 1       | 1        | ± 2.9 %                   | ± 2.9 %                    |
| <b>Phantom and Setup</b>             |                        |                          |         |         |          |                           |                            |
| Phantom Uncertainty                  | 4.0                    | Rectangular              | √3      | 1       | 1        | ± 2.3 %                   | ± 2.3 %                    |
| Liquid Conductivity (Target)         | 5.0                    | Rectangular              | √3      | 0.64    | 0.43     | ± 1.8 %                   | ± 1.2 %                    |
| Liquid Conductivity (Meas.)          | 2.5                    | Normal                   | 1       | 0.64    | 0.43     | ± 1.6 %                   | ± 1.1 %                    |
| Liquid Permittivity (Target)         | 5.0                    | Rectangular              | √3      | 0.6     | 0.49     | ± 1.7 %                   | ± 1.4 %                    |
| Liquid Permittivity (Meas.)          | 2.5                    | Normal                   | 1       | 0.6     | 0.49     | ± 1.5 %                   | ± 1.2 %                    |
| <b>Combined Standard Uncertainty</b> |                        |                          |         |         |          | ± 11.0 %                  | ± 10.8 %                   |
| <b>Coverage Factor for 95 %</b>      |                        |                          |         |         |          | K=2                       |                            |
| <b>Expanded Uncertainty</b>          |                        |                          |         |         |          | ± 22.0 %                  | ± 21.5 %                   |

Table 12.2 Uncertainty Budget of DASY for frequency range 300 MHz to 3 GHz



### **13. References**

- [1] FCC 47 CFR Part 2 "Frequency Allocations and Radio Treaty Matters; General Rules and Regulations"
- [2] ANSI/IEEE Std. C95.1-1992, "IEEE Standard for Safety Levels with Respect to Human Exposure to Radio Frequency Electromagnetic Fields, 3 kHz to 300 GHz", September 1992
- [3] IEEE Std. 1528-2003, "Recommended Practice for Determining the Peak Spatial-Average Specific Absorption Rate (SAR) in the Human Head from Wireless Communications Devices: Measurement Techniques", December 2003
- [4] FCC OET Bulletin 65 (Edition 97-01) Supplement C (Edition 01-01), "Evaluating Compliance with FCC Guidelines for Human Exposure to Radiofrequency Electromagnetic Fields", June 2001
- [5] SPEAG DASY System Handbook
- [6] FCC KDB 248227 D01 v01r02, "SAR Measurement Procedures for 802.11 a/b/g Transmitters", May 2007
- [7] FCC KDB 447498 D01 v04, "Mobile and Portable Device RF Exposure Procedures and Equipment Authorization Policies", November 2009
- [8] FCC KDB 616217 D03 v01, "SAR Evaluation Considerations for Laptop/Notebook/Netbook and Tablet Computers", November 2009
- [9] FCC KDB 941225 D06 v01, "SAR Evaluation Procedures for Portable Devices with Wireless Router Capabilities", April 2011



## ***Appendix A. Plots of System Performance Check***

The plots are shown as follows.



## ***Appendix B. Plots of SAR Measurement***

The plots are shown as follows.



## **Appendix C. DAS Y Calibration Certificate**

The DAS Y calibration certificates are shown as follows.