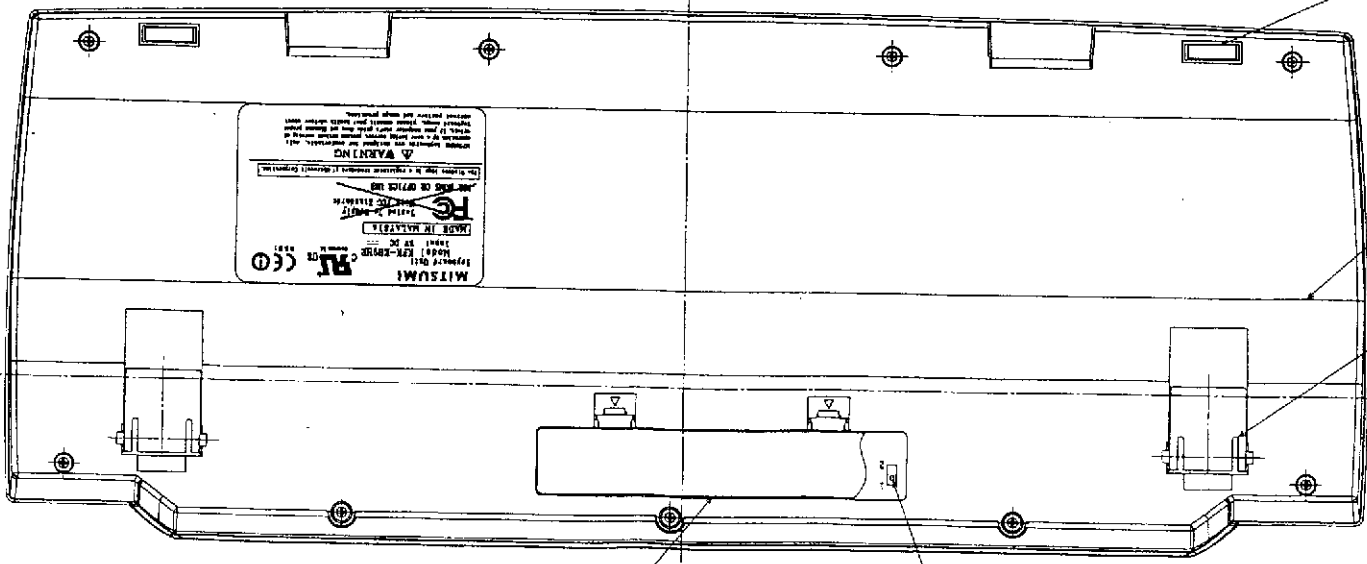
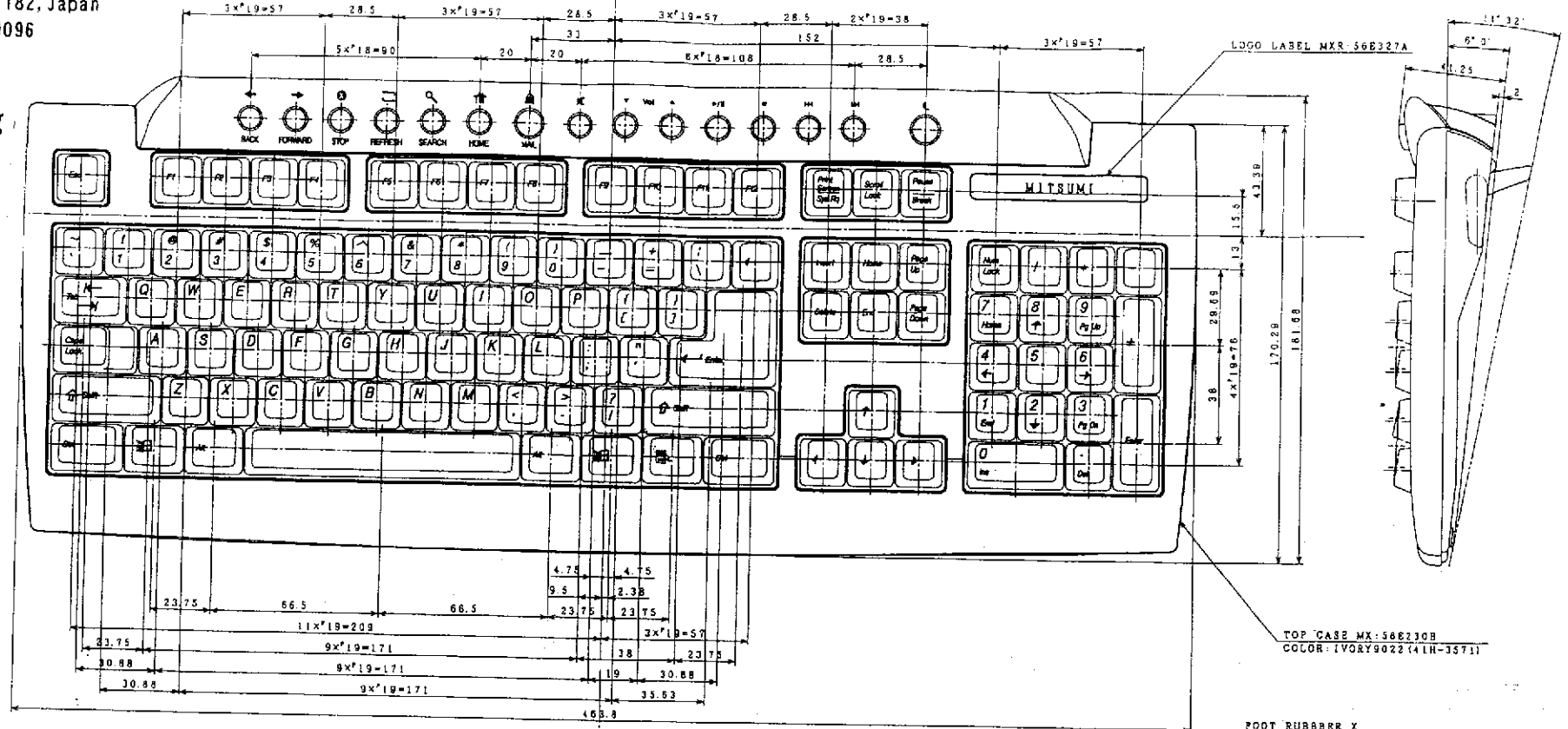
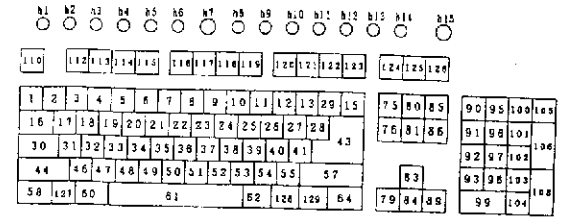
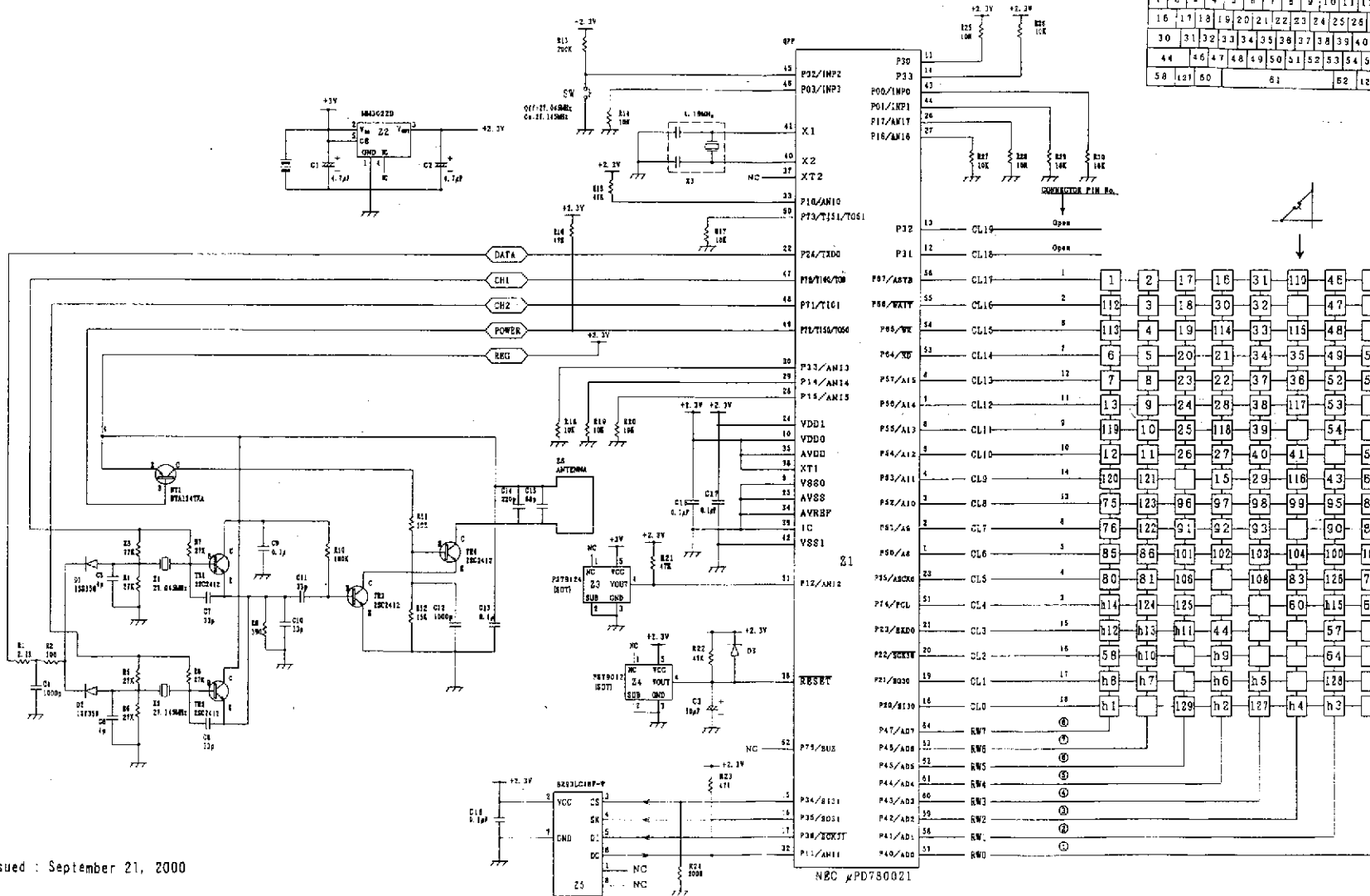


oly Drawing



2000

Circuit Diagram



X3	28C2412 (28C2412)
X2	28C2412 (28C2412)
X1	28C128 (28C128)
TR1-TR4	28C2412 (28C2412)
DT1	DTA124TKA (28C2412)
D3	Diode
D1, D2	Diode 1S2336 (1S2336)
C15	Cap. Capacitor 68pF
C14	Cap. Capacitor 120pF
C18, C13	Cap. Capacitor 6.1pF
C7, C8, C10, C11	Cap. Capacitor 33pF
C5, C6	Cap. Capacitor 1pF
C4, C12	Cap. Capacitor 1000pF
C3	Cap. Capacitor 10pF 15V
C1, C2	Cap. Capacitor 4.7pF 15V
R13, R16, R21-R23	47KΩ
R13, R24	200KΩ
R12	15KΩ
R11, R14, R15, R17, R18, R19, R20	10KΩ
R10	100KΩ
R9	390Ω
R3-R8	27KΩ
R2	100Ω
R1	2.2KΩ
SW	SSR-121MVB
Z6	ANTENNA
Z5	BR93LC46P-W
Z4	PST9012
Z3	PST9124
Z2	MM3023D
Z1	μPD780021
SYMBOL	PARTS LIST