



## 3. Repair Parts



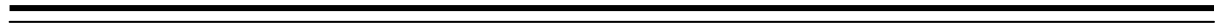
# Chapter 3. Repair Parts

## 3.1 List of Repair Parts

### 3.1.1 Parts required for periodic replacement

Here are parts required for periodic replacement.

Part type	Name	Part name	Interval	Replacement kit type
NWZ-207	19inch monitor	FAN	40,000 hours	7ZYNA4004
NWZ-208	26inch monitor	FAN	40,000 hours	7ZYNA4005
NBD-913	Power supply unit	FAN	100,000 hours	7ZYNA4007
NDC-1590	Central Control unit	FAN	40,000 hours	7ZYNA4006
NKE-1130	S band radar antenna	Magnetron	4,000 hours	5VMAA00104
		Motor	10,000 hours	MDBW10823
		FAN for motor driver circuit	20,000 hours	7BFRD0002
		FAN for modulation	20,000 hours	5BFAB00674
NKE-1139	S band radar antenna	Motor	10,000 hours	MDBW10823
NTG-3230	S band transceiver	Magnetron	4,000 hours	5VMAA00104
NKE-1125	X band radar antenna	Magnetron	4,000 hours	5VMAA00106
		Motor	10,000 hours	MDBW10822
		FAN for magnetron	20,000 hours	7BFRD0002
		FAN for modulation	20,000 hours	7BFRD0002
NKE-1129	X band radar antenna	Motor	10,000 hours	MDBW10822
NTG-3225	X band transceiver	Magnetron	4,000 hours	5VMAA00106
NKE-2254-HS	X band radar antenna	Magnetron	4,000 hours	5VMAA00106
		Motor	10,000 hours	7BDRD0045A
		FAN for magnetron	20,000 hours	7BFRD0002
		FAN for modulation	20,000 hours	7BFRD0002
NKE-2103	X band radar antenna	Magnetron	4,000 hours	5VMAA00102
		Motor	10,000 hours	7BDRD0048
NKE-1632	Solid state Radar antenna	Motor	10,000 hours	MDBW10823
		FAN	100,000 hours	109L0912S410
NKE-2632	Solid state radar antenna	Motor	10,000 hours	MDBW10823
		FAN	100,000 hours	109L0912S410
NKE-2632-H	Solid state radar	Motor	10,000 hours	MDBW10967
		FAN	100,000 hours	109L0912S410



## 3.1.2 Spares

**List of Fuses**

Name	Unit Name	Location	Qty	Specification	Type (Code)
Blade Fuse (Auto Fuse)	NBD-913	PSU	2	DC32V 15A	1015(5ZFCK00008)
Blade (mini) Fuse (Auto Fuse)	NQE-1143	JB	1	DC32V 15A	1215(5ZFCK00017)
Blade (mini) Fuse (Auto Fuse)			2	DC32V 3A	1203(5ZFCK00016)
Glass Fuse			4	250V 0.5A	MF51NR 250V 0.5 (5ZFGD00019)

## 3.1.3 Special Parts

### NKE-1125, NKE-2254

Corresponding model: JMR-9225-6X/9X/6XH  
JMR-7225-6X/9X/6XH

**List of Special Parts of NKE-1125/2254**

Parts No.	Name	Type	Manufacture	Location	Code
V101	Magnetron	M1568BS	New JRC	Scanner Unit	5VMAA00106
A101/A102	Circulator	NJC3901M	New JRC	Scanner Unit	5AJBV00007
A103	Dummy	NJC4002	New JRC	Scanner Unit	5ANDF00001
A104	Filter	NJC9952	New JRC	Scanner Unit	5AWAX00002
A301	Diode Limiter	NJS6930	New JRC	Scanner Unit	5ATBT00006

---

---

## NTG-3225

Corresponding model: JMR-9225-7X3/9X3  
JMR-7225-7X3/9X3

### List of Special Parts of NTG-3225

Parts No.	Name	Type	Manufacture	Location	Code
V101	Magnetron	M1568BS	New JRC	Transmitter Receiver Unit	5VMAA00106
A101/A102	Circulator	NJC3901M	New JRC	Transmitter Receiver Unit	5AJBV00007
A103	Dummy	NJC4002	New JRC	Transmitter Receiver Unit	5ANDF00001
A104	Filter	NJC9952	New JRC	Transmitter Receiver Unit	5AWAX00002
A301	Diode Limiter	NJS6930	New JRC	Transmitter Receiver Unit	5ATBT00006
A302	PIN Attenuator	NJS6926	New JRC	Transmitter Receiver Unit	5ATBT00007

## NKE-1130

Corresponding model: JMR-9230-S  
JMR-7230-S

### List of Special Parts of NKE-1130

Parts No.	Name	Type	Manufacture	Location	Code
V101	Magnetron	M1555	New JRC	Scanner Unit	5VMAA00104
A101	Circulator	NJC3316	New JRC	Scanner Unit	5AJBV00008
A301	Diode Limiter	NJS6318	New JRC	Scanner Unit	5ATBT00005

---

---

## NTG-3230

Corresponding model: JMR-9230-S3  
JMR-7230-S3

### List of Special Parts of NTG-3230

Parts No.	Name	Type	Manufacture	Location	Code
V101	Magnetron	M1555	New JRC	Transmitter Receiver Unit	5VMAA00104
A101	Circulator	NJC3317	New JRC	Transmitter Receiver Unit	5AJBV00009
A301	TR Limiter	TL378A	New JRC	Transmitter Receiver Unit	5VLAA00037

## NKE-2103-6, NKE-2103-6HS

Corresponding model: JMR-9210-6X/6XH  
JMR-7210-6X/6XH

### List of Special Parts of NKE-2103-6/6HS

Parts No.	Name	Type	Manufacture	Location	Code
V101	Magnetron	MAF1565N	New JRC	Scanner Unit	5VMAA00102
A101/A102	Circulator	FCX68R	Orient Microwave	Scanner Unit	5AJIX00027
A103	Dummy	NJC4002	New JRC	Scanner Unit	5ANDF00001
A104	Filter	NJC9952	New JRC	Scanner Unit	5AWAX00002
A301	Diode Limiter	NJS6930	New JRC	Scanner Unit	5ATBT00006

## 3.1.4 Circuit blocks

### NKE-1125

Corresponding model: JMR-9225-6X/9X

JMR-7225-6X/9X

**Circuit blocks of NKE-1125**

Circuit Block	Type	Remarks
GEARED MOTOR	MDBW10822*	For 100 / 220VAC
ENCODER	CHT-71A	
MOTOR DRIVER CIRCUIT	H-7EPRD0034*	For 220VAC
MOTOR DRIVER CIRCUIT	H-7EPRD0035*	For 100VAC
BRAKE CIRCUIT	CFA-253	
BRAKE CONTROL CIRCUIT	CCB-655	
BRAKE UNIT	NZR-16	Including CFA-259 / 260
PERFORMANCE MONITOR	NJU-85	
T/R CONTROL CIRCUIT	CMC-1205R	
MODULATOR UNIT	NMA-550-1	Including CPA-264, CMB-404, and CFR-229. Excluding Magnetron.
MODULATOR CIRCUIT	CPA-264	
RECEIVER UNIT	NRG-162A	Including CMA-866A
POWER SUPPLY CIRCUIT	CBD-1682A	
RELAY FILTER CIRCUIT	CSC-656	
FAN	H-7BFRD0002*	

“ \* ” means revision, such as A, B, and so on.



---

---

## NKE-1129

Corresponding model: JMR-9225-7X3/9X3  
JMR-7225-7X3/9X3

### Circuit blocks of NKE-1129

Circuit Block	Type	Remarks
GEARED MOTOR	MDBW10822*	For 100/220VAC
ENCODER	CHT-71A	
MOTOR DRIVER CIRCUIT	H-7EPRD0034*	For 220VAC
MOTOR DRIVER CIRCUIT	H-7EPRD0035*	For 100VAC
BRAKE CIRCUIT	CFA-253	
BRAKE CONTROL CIRCUIT	CCB-655	
BRAKE UNIT	NZR-15	Including CFA-259/260
PERFORMANCE MONITOR	NJU-85	

\* \* means revision, such as A, B, and so on.

## NTG-3225

Corresponding model: JMR-9225-7X3/9X3  
JMR-7225-7X3/9X3

### Circuit blocks of NTG-3225

Circuit Block	Type	Remarks
T/R CONTROL CIRCUIT	CMC-1205R	
MODULATOR UNIT	NMA-552-1	Including CPA-264, CMB-405, and CFR-229. Excluding Magnetron.
MODULATOR CIRCUIT	CPA-264	
RECEIVER UNIT	NRG-162A	Including CMA-866A
POWER SUPPLY CIRCUIT	CBD-1682A	
RELAY FILTER CIRCUIT	CSC-656	

---

---

## NKE-1130

Corresponding model: JMR-9230-S  
JMR-7230-S

### Circuit blocks of NKE-1130

Circuit Block	Type	Remarks
GEARED MOTOR	MDBW10823*	For 100/220VAC
ENCODER	CHT-71A	
MOTOR DRIVER CIRCUIT	H-7EPRD0034*	For 220VAC
MOTOR DRIVER CIRCUIT	H-7EPRD0035*	For 100VAC
BRAKE CIRCUIT	CFA-225	
BRAKE CONTROL CIRCUIT	CCB-655	
BRAKE UNIT	NZR-17	Including CFA-261 / 262
PERFORMANCE MONITOR	NJU-84	
T/R CONTROL CIRCUIT	CMC-1205R	
MODULATOR UNIT	NMA-551-1	Including CPA-264, CMB-406, and CFR-229. Excluding Magnetron
MODULATOR CIRCUIT	CPA-264	
RECEIVER UNIT	NRG-229	Including CAF-595 / CAE-499.
POWER SUPPLY CIRCUIT	CBD-1682A	
RELAY FILTER CIRCUIT	CSC-656	
FAN	H-7BFRD0002	

\* \* means revision, such as A, B, and so on.

---

---

## NKE-1139

Corresponding model: JMR-9230-S3  
JMR-7230-S3

### Circuit blocks of NKE-1139

Circuit Block	Type	Remarks
GEARED MOTOR	MDBW10823*	For 100/220VAC
ENCODER	CHT-71A	
MOTOR DRIVER CIRCUIT	H-7EPRD0034*	For 220VAC
MOTOR DRIVER CIRCUIT	H-7EPRD0035*	For 100VAC
BRAKE CIRCUIT	CFA-255	
BRAKE CONTROL CIRCUIT	CCB-655	
BRAKE UNIT	NZR-17	Including CFA-261 / 262
PERFORMANCE MONITOR	NJU-84	

\* \* means revision, such as A, B, and so on.

## NTG-3230

Corresponding model: JMR-9230-S3  
JMR-7230-S3

### Circuit blocks of NTG-3230

Circuit Block	Type	Remarks
T/R CONTROL CIRCUIT	CMC-1205R	
MODULATOR UNIT	NMA-553-1	Including CPA-264, CMB-407, and CFR-229. Excluding Magnetron.
MODULATOR CIRCUIT	CPA-264	
RECEIVER UNIT	NRG-229	
POWER SUPPLY CIRCUIT	CBD-1682A	
RELAY FILTER CIRCUIT	CSC-656	

---

## NKE-2254

Corresponding model: JMR-9225-6XH  
JMR-7225-6XH

### Circuit blocks of NKE-2254

Circuit Block	Type	Remarks
GEARED MOTOR	H-7BDRD0045A	DC Brushless
ENCODER	CHT-71A	
MOTOR DRIVER CIRCUIT	CBD-1779	
BRAKE CIRCUIT	CFA-257	
PERFORMANCE MONITOR	NJU-85	
HEATER CONTROL CIRCUIT	CHG-216	Option (100VAC)
POWER SUPPLY CIRCUIT	CBD-1682A	
T/R CONTROL CIRCUIT	CMC-1205R	
MODULATOR UNIT	NMA-550-1	Including CPA-264, CMB-404, CFR-229. Excluding Magnetron.
MODULATOR CIRCUIT	CPA-264	
RECEIVER UNIT	NRG-162A	Including CMA-866A.
FAN	H-7BFRD0002	

---

---

## NKE-2103, NKE-2103-HS

Corresponding model: JMR-9210-6X/6XH  
JMR-7210-6X/6XH

### Circuit blocks of NKE-2103, NKE-2103-HS

Circuit Block	Type	Remarks
GEARED MOTOR	H-7BDRD0048*	DC Brushless ( Common with HS)
MODULATOR CIRCUIT	CME-363	Excluding Magnetron.
RECEIVER UNIT	NRG-610	Including CAE-529-1
POWER SUPPLY CIRCUIT	CBD-1783	
ENCODER	CHT-71A	
MOTOR CONTROL POWER SUPPLY	CBD-1779	
BRAKE CIRCUIT	CFA-252	
PERFORMANCE MONITOR	NJU-85	
FAN	H-7BFRD0002	

## NKE-1632

Corresponding model: JMR-9272-S  
JMR-7272-S

### Circuit blocks of NKE-1632

Circuit Block	Type	Remarks
TRX MODULE	CMN-797	
RADAR PROCESS UNIT	NDC-4920	
POWER SUPPLY / INTERFACE CIRCUIT	CMP-493	
ENCORDER	CHT-85	
FAN MOTOR	109L0912S410	
MOTOR DRIVER	CBD-1949	
MOTOR	MDBW10823	

---

---

## NKE-2632

Corresponding model: JMR-9282-S  
JMR-7282-S

### Circuit blocks of NKE-2632

Circuit Block	Type	Remarks
TRX MODULE	CMN-797	
RADAR PROCESS UNIT	NDC-4920	
POWER SUPPLY / INTERFACE CIRCUIT	CMP-493	
ENCORDER	CHT-85	
FAN MOTOR	109L0912S410	
MOTOR DRIVER	CBD-1949	
MOTOR	MDBW10823	

## NKE-2632-H

Corresponding model: JMR-9282-SH  
JMR-7282-SH

### Circuit blocks of NKE-2632-H

Circuit Block	Type	Remarks
TRX MODULE	CMN-797	
RADAR PROCESS UNIT	NDC-4920	
POWER SUPPLY / INTERFACE CIRCUIT	CMP-493	
ENCORDER	CHT-85	
FAN MOTOR	109L0912S410	
MOTOR DRIVER	CBD-1950	
MOTOR	MDBW10967	

## Display Unit

Corresponding model: JMR-92xx / JMR-72xx  
 JAN-92xx / JAN-72xx

### Circuit blocks of Display Unit

Circuit Block	Type	Remarks
Monitor Unit	NWZ-208	26inch
26 inch MNU Replacement FAN kit	H-7ZYNA4005	Included in NWZ-208
Monitor Unit	NWZ-207	19inch
19 inch MNU Replacement FAN kit	H-7ZYNA4004	Included in NWZ-207
Power supply Unit	NBD-913	
PSU Replacement FAN kit	H-7ZYNA4007	Included in NBD-913
Central Control Unit	NDC-1590	
DVD drive	CDD-754	Included in NDC-1590
CCU Replacement FAN kit	H-7ZYNA4006	
CCU Repair kit	NZC-1590	
Trackball Operation Unit	NCE-5605	
Trackball	CCK-1060	Included in NCE-5605
Operation Circuit A	CCK-1050	
Operation Circuit SW	CCK-1069	
Operation Circuit CN	CCK-1070	
Keyboard Operation Unit	NCE-5625	
Operation Circuit B	CCK-1059	Included in NCE-5625
Option Keyboard	CCK-1061	
Knob dia. 38mm	MPHD30460	
Knob dia. 22mm	MPHD30459	
Screw cover (L)	MTV305169	
Screw cover (U)	MTV305170	
Serial LAN Interface Circuit	CMH-2370	
Gyro Interface Circuit	CMJ-554	
Radar Interface Circuit	CQD-2273	
Analog Option Circuit	CMJ-560	
Sensor LAN Switch Unit	NQA-2443	

## 3.2 Exploded view drawings

### NKE-2103

No.	PARTS NAME	PRODUCT CODE	SERVICE CODE	NOTE
1	Radiator Assy.	MDNAX5041	NAX-16B-6	NAX-16B-6
1-1	Radiator Assy.	MDNAX5041		
1-2	Bolts	BRTG07249		M10X35SUS S-cort
1-3	Spring Washers	BRTG00404		SW10 SUS
1-4	Washers	MTL315466		
2	Support Assy.	MPGK31182		
2-1	Antenna Support	MTC301684		
2-2	Slide Plate	MTT309252		
2-3	Waterproof Ring	M T T 309256A		
2-4	O-Ring	BRPK00054		P42
3	Upper Housing Assy.	MPBX44085		
3-1	Upper Housing	MTC301682		
3-2	V-Ring	BRPK00189		V-100A
3-3	Liquid-Tight Cable Clamps	BRBP06738		OA-W1611EC1-BB
4	Drive Assy.	MPGK31181		
4-1	Main Shaft	MTC301685		
4-2	Main Gear	MTG300511		
4-3	Gear	MTG300424A		
4-4	Bracket	MTC301655		
4-5	Key	MTL325003		
4-6	Spacer 1	MTL325004		
4-7	Spacer 2	MTL325005		
4-8	Bearing	BRGK05420		6011ZZ
4-9	Bearing	BRGK05409		6009ZZ
4-10	Retaining Ring Type-C	BRTG05289		HC75 SK5
4-11	Bearing Nut	BRTG06929		AN09
4-12	Cross-recessed Head Screw	BSNC03010B		NC3X8Bs
5	Rotary Joint	MPAB31563		
6	Motor	H-7BDRD00048	7BDRD00048	CBP-202



No.	PARTS NAME	PRODUCT CODE	SERVICE CODE	NOTE
7	Wave Guide Unit	MPAB31564		
7-1	Wave Guide	MTM301722A		
7-2	Flange	MTM301843		
7-3	Push Plate	MTB366792A		
7-4	Bolts	BRTG08900		M4X25 SUS SW W
8	Encoder Assy.	MPEM30205		
8-1	Encoder	MDMW11070	CHT-71A	
8-2	Gear	MTT006909B		
8-3	Turn-Stopper	MTD001842		
9	Lower Housing Assy.	MPBX44086A		
9-1	Lower Housing	MTC301683		
9-2	Packing	MTT312329		
9-3	Breathing Cap	MTV302550		
9-4	Packing	MTT305919A		
9-5	Switch Cover	MPPK00925A		
9-6	Cable Push Plate	MTB366112		
9-7	Cable Clamp	BRBP00009		
9-8	Cross-recessed Head Screw	BSNK04010B		NK4X10Bs
9-9	Cross-recessed Head Screw	BSNC04010B		NC4X10Bs
9-10	Cross-recessed Head Screw	BSNB05010B		NB5X10Bs
10	Transceiver Assy.	MDNZT5023		NZT-2103
10-1	Main Chassis	MPBX44420		
10-2	Wave Guide Circuit	MPAB31606		
10-2-1	CIR-Attachment	MTB389799		
10-2-2	Receiver Unit	MDNRG5093	NRG-610	NRG-610
10-2-3	Diode Limiter	5ATBT00006		NJS6930
10-2-4	Circulator	5AJIX00027		FCX68R
10-2-5	Filter	5AWAX00002		NJC-9952
10-2-6	Guide Plate	MT L 326122		
10-2-7	Dummy Load	5ANDF00001		NJC4002
10-2-8	Spacer	MTL318403		
10-2-9	MG-PIN	MTL325492		
10-2-11	Bolts	BRTG07397		M4X12 SW SUS304
10-2-12	Cross-recessed Head Screw	BRTG07156		M4X70 Bs
10-2-13	Cross-recessed Head Screw	BSNC04010B		NC4X10Bs
10-2-14	Spring Washers	BSSW04000S		SW4

No.	PARTS NAME	PRODUCT CODE	SERVICE CODE	NOTE
10-2-15	Washers	BSFW04000B		W4Bs
10-3	Modulator Unit	MPBX44290	CME-363	
10-4	Power Supply Unit	MPBX44291	CBD-1783	
10-5	Motor Control PC	MDBW10832	CBD-1779	CBD-1779
10-6	Magnetron	5VMAA00102	5VMAA00102	MAF1565N
10-7	Resistors	-		CFA-252
10-8	Filter PC	-		CFR-234
10-9	Cover	MTB389805		
10-10	Nut Plate	MTB388518		
10-11	Connection Plate	MTB388903		
10-12	Motor Cover	MTB391765		
10-13	Cross-recessed Head Screw	BSNB04012B		NB4X12Bs
10-14	Cross-recessed Head Screw	BSNC04010B		NC4X10Bs
10-15	Cross-recessed Head Screw	BSNC04016B		NC4X16Bs
10-16	Cross-recessed Head Screw	BSNC03008B		NC3X8Bs
11	Encoder Plate	MTB388510A		
12	Stay	MPDM30321		
13	Grand-Cable	H-7ZCRD1504		
14	Shaft	MTL325006		
15	Bolts	MTL006545A		M8X35 Machining
16	Spring Washers	BRTG00747		SW8 SUS
17	Washers	BRTG00224		W8
18	O-Ring	BRPK00027		P7
19	Clamp Gland	MPTG30399		
20	Cover	BRTG01414		
21	Gasket	MTT308695A		
22	Washers	BRTG00883		
25	Corted Bolts	BRTG09192		M8X20 SUS304 corted

No.	PARTS NAME	PRODUCT CODE	SERVICE CODE	NOTE
26	Sealing Washers	BRTG06850		SUSW8S1
27	Hex-Head Setscrew	BRTG1030G		M4X0.7X6 SUS304
28	Bolts	BRTG09297		M8X25SFESWWZMC4RBU
29	Bolts	BRTG09296		M6X70FESWWZMC4RBU
30	Cross-recessed Head Screw	BSNC04025B		NC4X25Bs
31	Bolts	BRTG06852		M4X12 SW W SUS304
32	Bolts	BRTG09004		M5X16 SW W SUS304
33	Cross-recessed Head Screw	BSNB05010B		NB5X10Bs
34	Cross-recessed Head Screw	BSNB04012B		NB4X12Bs
35	Cross-recessed Head Screw	BSNC04010B		NC4X10Bs
36	Cross-recessed Head Screw	BSNC03008B		NC3X8Bs

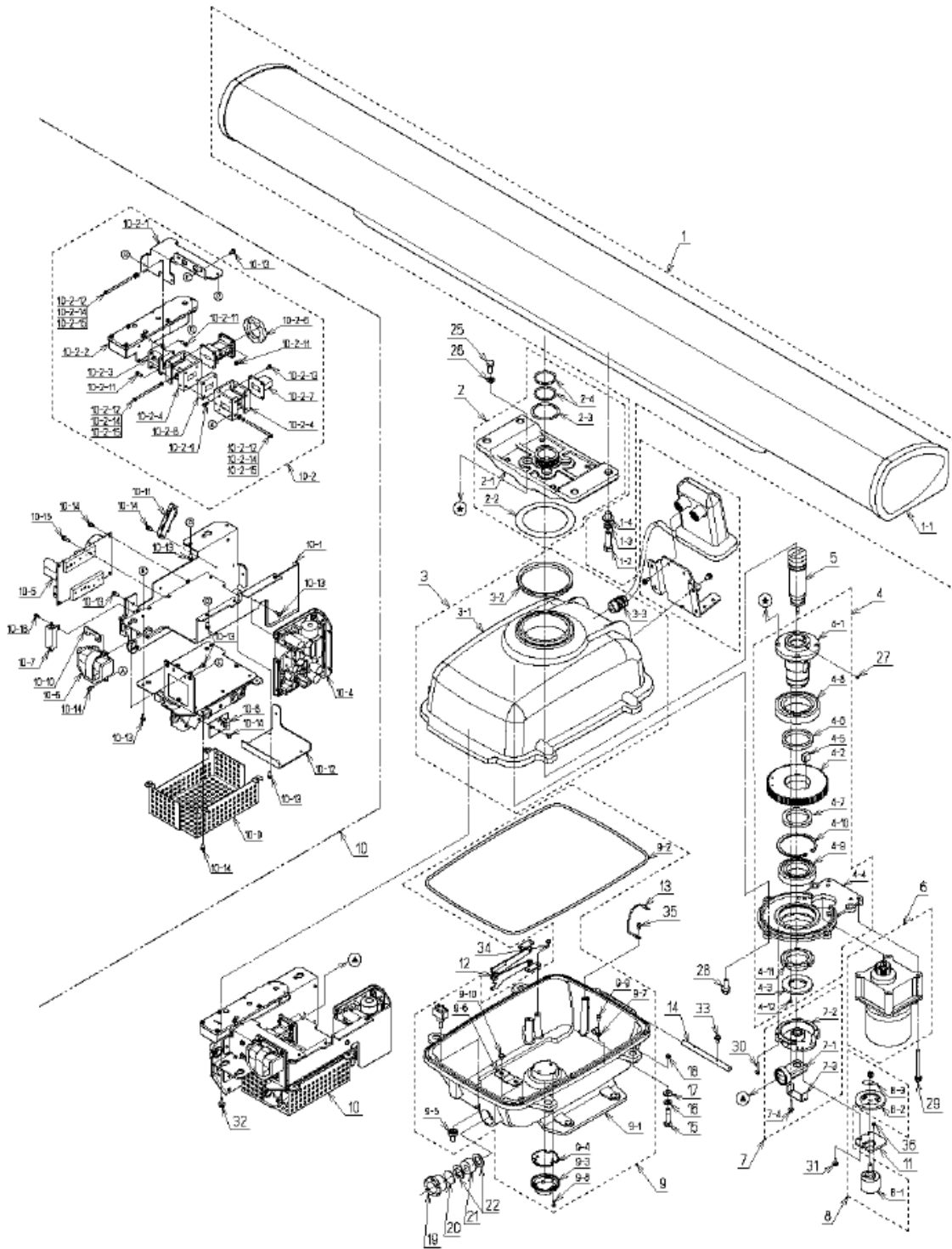


Fig. 3.2.1 Exploded view of NKE-2103

---

---

**NKE-2254**

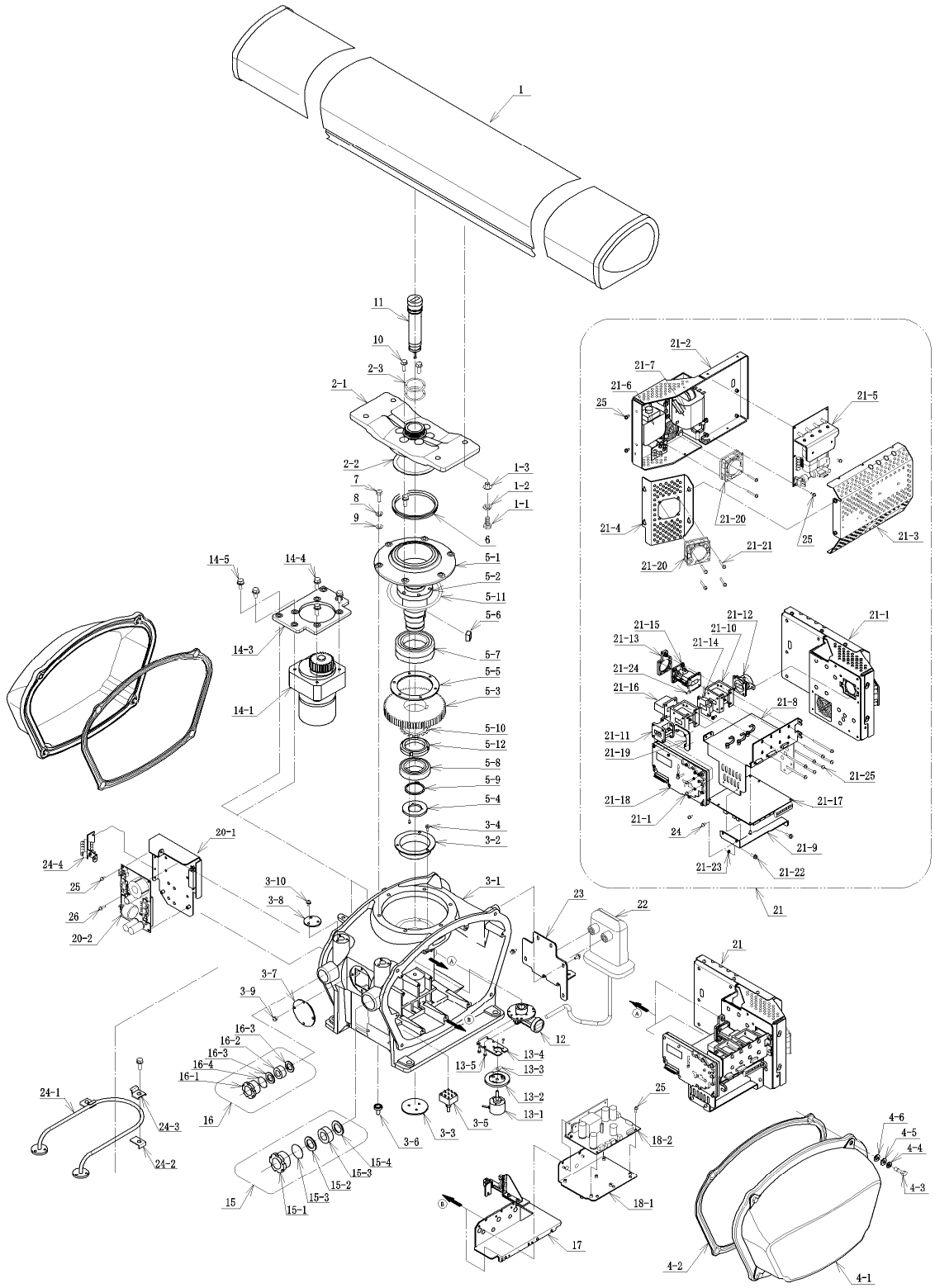
No.	PARTS NAME	PRODUCT CODE	SERVICE CODE	NOTE
1	Radiator Assy.		NAX-16B-6	6ft
1-1	Bolt	BRTG07249		HEX10X35 SUS304
1-2	Spring Washer	BRTG00404		SW10
1-3	Washer	MTL315466		
2	Support Assy.	MPBX40223		
2-1	Antenna Support	MTC301223A		
2-2	Slide Plate	MTT309252		
2-3	O-Ring	BRPK00054		P42 ID41.7 D3.5
3	Housing Assy.			
3-1	Housing	MTC301727		
3-2	Sleeve	MTL317432		
3-3	Breathing Cap	MTT309253		
3-4	Upset Bolt	BRTG09305		M5X12 FF ZMC4RBU
3-5	Toggle Switch	MDLW11931		CSD-654
3-6	Cover for SW	MPPK00925A		
3-7	Cover	MTB389969		
3-8	Cover	MTB389970		
3-9	NK5X10Bs	BSNK05010B		
3-10	NK5X12Bs	BSNK05012B		
4	Cover Assy.	MPBX44875		
4-1	Cover	MTC301729		
4-2	Packing	MTV303883		
4-3	Bolt	MPTG31381		
4-5	Spring Washer	BRTG00747		M8SUS304 3.2X2
4-4	Washer	BRTG00224		M8 SUS304
4-6	Sealing Washer	BRTG01826		M8 SUS
5	Drive Assy.	MPGK30895C		
5-1	Flange	MTC301224A		
5-2	Main Shaft	MTH300568A		
5-3	Main Gear	MTG300423A		
5-4	Gear	MTG300424		
5-5	Spacer	MTB366794A		
5-6	Key	MTL317433		

No.	PARTS NAME	PRODUCT CODE	SERVICE CODE	NOTE
5-7	Bearing	BRGK05410		6012ZZ CM/5K
5-8	Bearing	BRGK05409		6009ZZ CM/5K
5-9	Retaining Ring-C Type	BRTG06164		
5-10	Rolling Bearing Washer	BRTG07261		AW10X ID50
5-11	O-Ring	BRPK05043		G155
5-12	Rolling Bearing Locknut	BSAN10000S		AN10 M50X1.5
6	V-Ring	BRPK00189		V-100A
7	Bolt	BRTG07268		M8X25 TI
8	Spring Washer	BRTG07270		M8 TI
9	Washer	BRTG07267		M8 TI
10	Bolt	BRTG06849		M8X23 SUS304
11	Rotary Joint Assy.	MPAB31188		
12	Wave Guide	MPAB31207A		
13	Encoder Assy.	MPEM30202		
13-1	Encoder	MDMW11068	CHT-71A	CHT-71
13-2	Spur Gear	MTT006909B		
13-3	Click	MTD001842		
13-4	Plate Encoder Mounting	MTB366793A		
13-5	Upset Bolt	BRTG06852		M4X12SWWSUS304
14	Motor Assy.	-		
14-1	Motor	-	7BDRD0045A	
14-2	-	-		
14-3	Flange for Motor	MTC301225		
14-4	Bolt	BRTG09307		M8X30 SW W SUS304
14-5	Bolt	BRTG09306		M8X20 ZMC FESWW
15	Clump Gland Assy.(A30)	MPJD30062A		
15-1	Clump Gland	MPTG31572A		
15-2	Gasket	BRPK00108		
15-3	Washer	BRTG01246		30B AL
15-4	Cover	BRTG01415		30 AL
16	Clump Gland Assy.(A25)	MPJD30063A		
16-1	Clump Gland	MPTG31573A		
16-2	Gasket	BRPK00134		A25a
16-3	Washer	BRTG00883		25A AL
16-4	Cover	BRTG01414		25 AL
17	Heat radiation Board	MPBC43035		

No.	PARTS NAME	PRODUCT CODE	SERVICE CODE	NOTE
18	Power Supply Unit	MPBX44439		
18-1	Chassis for Power Supply	MPBX44440		
18-2	Power Supply PC	MDBW10837		CBD-1682A
19	-	-		
20	Motor Control Assy.	MPBX44318A		
20-1	Chassis for Control	MPBX44319		
20-2	Motor Power Supply PC	MDBW10832		CBD-1779
21	Tranceiver Assy.	MDNZT5024A		NZT-1125
21-1	Modulator Unit	MDNMA5077A		NMA-550-1
21-2	Main Chassis	MPBX44445		
21-3	Cover Assy.(L)	MPBX44446		
21-4	Cover Assy. (S)	MPBX44447		
21-5	Modulator PC	MDLW11930	CPA-264 (MDLW11927)	CPA-264
21-6	Magnetron	-	5VMAA00106	
21-7	Pulse Transformer	-		
21-8	Flame	MPBC43040		
21-9	Holding Plate	MTB389330		
21-10	Circulator	-		
21-11	Diord Limiter	-		
21-12	Wave Guide	MPAB31622		
21-13	Guide Plate	MTL318911A		
21-14	Spacer	MTL318403		
21-15	Spurious Filter	-		NJC9952
21-16	Dummy Load	-		NJC4002
21-17	TR-Control PC	-	CMC-1205R	CMC-1205R
21-18	Receiver Assy.	MDNRG5094A	NRG-162A	NRG-162A
21-19	Nut Plate	MTB389894		
21-20	FAN	MPEM30151		
21-21	Cross-Recessed Head Screw	BSNC04030B		
21-22	Bolt	BRTG07502		M5X16 SW W SUS304
21-23	O-Ring	BRPK00019		
21-24	Bolt	BRTG07397		M4X12 SW SUS304
21-25	Cross-recessed Head Screw	BRTG05659		NK4X0.7X65Bs
22	Performance Monitor Unit	-	NJU-85	NJU-85
23	PM Adapter	MPBC43041A		

No.	PARTS NAME	PRODUCT CODE	SERVICE CODE	NOTE
24	Neck Heater kit	MDMW11067A		(CHG-216)
24-1	Neck Heater Unit	-		
24-2	Plate Clamp	MTB374149		
24-3	Plate Clamp	MTB374150		
24-4	Terminal Board for heater	-		
25	Cross-recessed Head Screw	BSNC04010B		M4X10 SW LW
26	Cross-recessed Head Screw	BSNC04016B		M4X16 SW LW





NKE-2254  
SCANNER UNIT

SWNKE5300

Fig. 3.2.2 Exploded view of NKE-2254

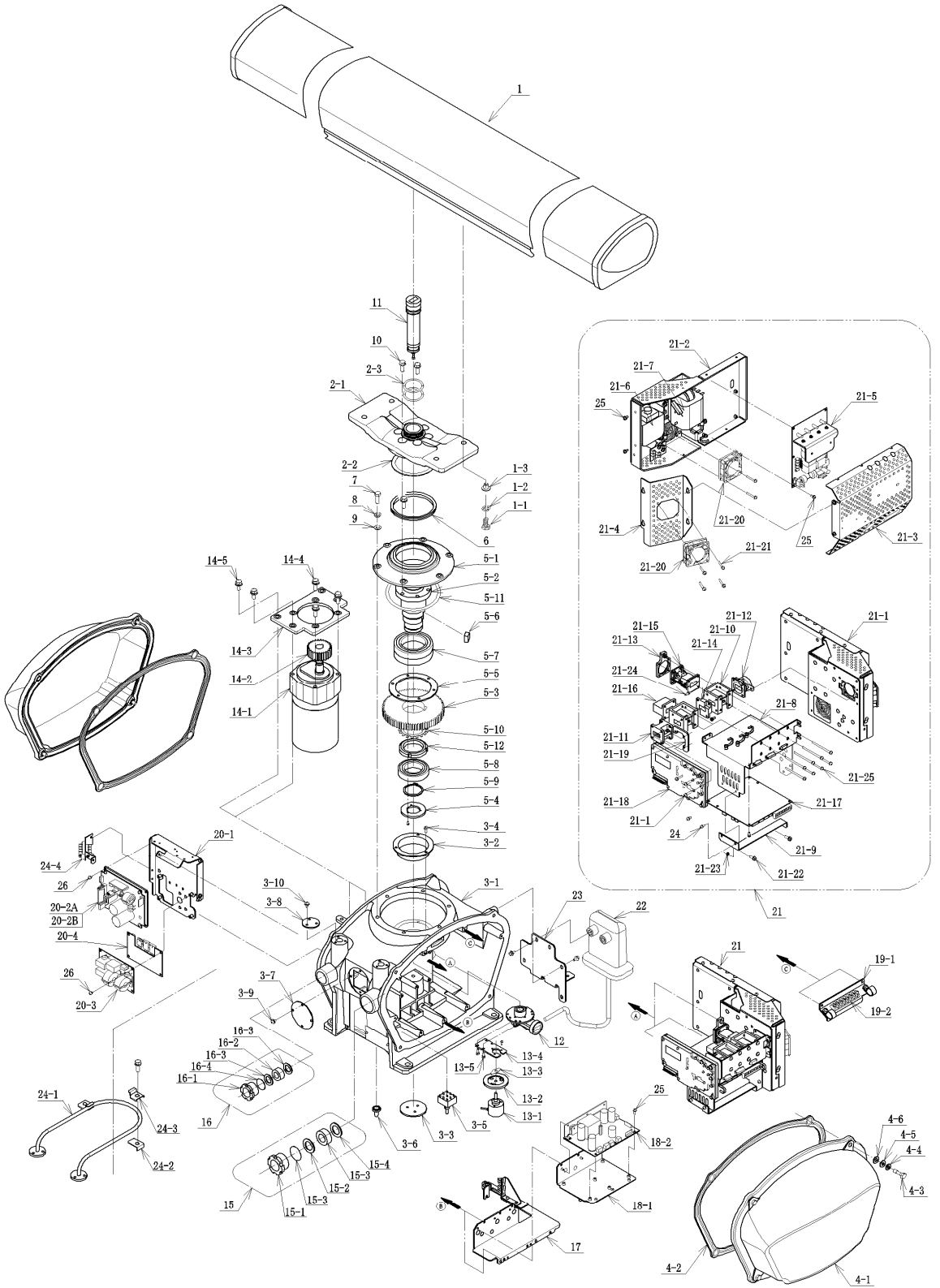
## NKE-1125

No.	PARTS NAME	PRODUCT CODE	SERVICE CODE	NOTE
1	Radiator Assy.		NAX-16B	9ft/7ft/6ft
1-1	Bolt	BRTG07249		HEX10X35 SUS304
1-2	Spring Washer	BRTG00404		SW10
1-3	Washer	MTL315466		
2	Support Assy.	MPBX40223		
2-1	Antenna Support	MTC301223A		
2-2	Slide Plate	MTT309252		
2-3	O-Ring	BRPK00054		P42 ID41.7 D3.5
3	Housing Assy.			
3-1	Housing	MTC301727		
3-2	Sleeve	MTL317432		
3-3	Breathing Cap	MTT309253		
3-4	Upset Bolt	BRTG09305		M5X12 FFZMC4RBU
3-5	Toggle Switch	MDLW11931		CSD-654
3-6	Cover for SW	MPPK00925A		
3-7	Cover	MTB389969		
3-8	Cover	MTB389970		
3-9	NK5X10Bs	BSNK05010B		
3-10	NK5X12Bs	BSNK05012B		
4	Cover Assy.	MPBX44875		
4-1	Cover	MTC301729		
4-2	Packing	MTV303883		
4-3	Bolt	MPTG31381		
4-5	Spring Washer	BRTG00747		M8SUS304 3.2X2
4-4	Washer	BRTG00224		M8 SUS304
4-6	Sealing Washer	BRTG01826		M8 SUS
5	Drive Assy.	MPGK30895C		
5-1	Flange	MTC301224A		
5-2	Main Shaft	MTH300568A		
5-3	Main Gear	MTG300423A		
5-4	Gear	MTG300424		
5-5	Spacer	MTB366794A		

No.	PARTS NAME	PRODUCT CODE	SERVICE CODE	NOTE
5-6	Key	MTL317433		
5-7	Bearing	BRGK05410		6012ZZ CM/5K
5-8	Bearing	BRGK05409		6009ZZ CM/5K
5-9	Retaining Ring-C Type	BRTG06164		
5-10	Rolling Bearing Washer	BRTG07261		AW10X ID50
5-11	O-Ring	BRPK05043		G155
5-12	Rolling Bearing Locknut	BSAN10000S		AN10 M50X1.5
6	V-Ring	BRPK00189		V-100A
7	Bolt	BRTG07268		M8X25 TI
8	Spring Washer	BRTG07270		M8 TI
9	Washer	BRTG07267		M8 TI
10	Bolt	BRTG06849		M8X23 SUS304
11	Rotary Joint Assy.	MPAB31188		
12	Wave Guide	MPAB31207A		
13	Encoder Assy.	MPEM30202		
13-1	Encoder	MDMW11068	CHT-71A	CHT-71A
13-2	Spur Gear	MTT006909B		
13-3	Click	MTD001842		
13-4	Plate Encoder Mounting	MTB366793A		
13-5	Upset Bolt	BRTG06852		M4X12SWWSUS304
14	Motor Assy.	-		
14-1	Motor	MPEM30201	MDBW10822	CBP-203
14-2	Spur Gear	MTG300425		
14-3	Flange for Motor	MTC301225		
14-4	Bolt	BRTG09307		M8X30SWWSUS304
14-5	Bolt	BRTG09306		M8X20 SWWFEZMC
15	Clump Gland Assy.(A30)	MPJD30062A		
15-1	Clump Gland	MPTG31572A		
15-2	Gasket	BRPK00108		
15-3	Washer	BRTG01246		30B AL
15-4	Cover	BRTG01415		30 AL
16	Clump Gland Assy.(A25)	MPJD30063A		
16-1	Clump Gland	MPTG31573A		
16-2	Gasket	BRPK00134		A25a
16-3	Washer	BRTG00883		25A AL
16-4	Cover	BRTG01414		25 AL

No.	PARTS NAME	PRODUCT CODE	SERVICE CODE	NOTE
17	Heat radiation Board	MPBC43035		
18	Power Supply Unit	MPBX44439		
18-1	Chassis for Power Supply	MPBX44440		
18-2	Power Supply PC	MDBW10837	CBD-1682A	CBD-1682A
19	Plate for Terminal Board	MTB389888		
19-1	Plate	MTB389888		
19-2	Terminal Board	-		
20	Motor Control Assy.	MPBX45038		
20-1	Chassis for Control	MPBX45039		
20-2A	Motor Driver for 100V	-	7EPRD0035	CBD-2001
20-2B	Motor Driver for 220V	-	7EPRD0034	CBD-2000
20-3	Relay PC	-	CSC-656	CSC-632
20-4	Brake control PC	-	CCB-655	CCB-655
21	Tranceiver Assy.	MDNZT5024A		NZT-1125
21-1	Modulator Unit	MDNMA5077A		NMA-550-1
21-2	Main Chassis	MPBX44445		
21-3	Cover Assy.(L)	MPBX44446		
21-4	Cover Assy. (S)	MPBX44447		
21-5	Modulator PC	MDLW11930	CPA-264 (MDLW11927)	CPA-264
21-6	Magnetoron	-	5VMAA00106	
21-7	Pulse Transformer	-		
21-8	Flame	MPBC43040		
21-9	Holding Plate	MTB389330		
21-10	Circulator	-		
21-11	Diord Limiter	-		
21-12	Wave Guide	MPAB31622		
21-13	Guide Plate	MTL318911A		
21-14	Spacer	MTL318403		
21-15	Spurious Filter	-		NJC9952
21-16	Dummy Load	-		NJC4002
21-17	TR-Control PC	-	CMC-1205R	CMC-1205R
21-18	Receiver Assy.	MDNRG5094A	NRG-162A	NRG-162A
21-19	Nut Plate	MTB389894		
21-20	FAN	MPEM30151		
21-21	Cross-Recessed Head Screw	BSNC04030B		

No.	PARTS NAME	PRODUCT CODE	SERVICE CODE	NOTE
21-22	Bolt	BRTG07502		M5X16SWW SUS304
21-23	O-Ring	BRPK00019		
21-24	Bolt	BRTG07397		M4X12 SW SUS304
21-25	Cross-recessed Head Screw	BRTG05659		NK4X0.7X65Bs
22	Performance Monitor Unit	-	NJU-85	NJU-85
23	PM Adapter	MPBC43041A		
24	Neck Heater kit	MDMW11067A		(CHG-216)
24-1	Neck Heater Unit	-		
24-2	Plate Clamp	MTB374149		
24-3	Plate Clamp	MTB374150		
24-4	Terminal Board for heater	-		
25	Cross-recessed Head Screw	BSNC04010B		M4X10 SW LW
26	Cross-recessed Head Screw	BSNC04008B		M4X8 SW LW



NKE-1125  
SCANNER UNIT

SWNKB5296

**Fig. 3.2.3 Exploded view of NKE-1125**

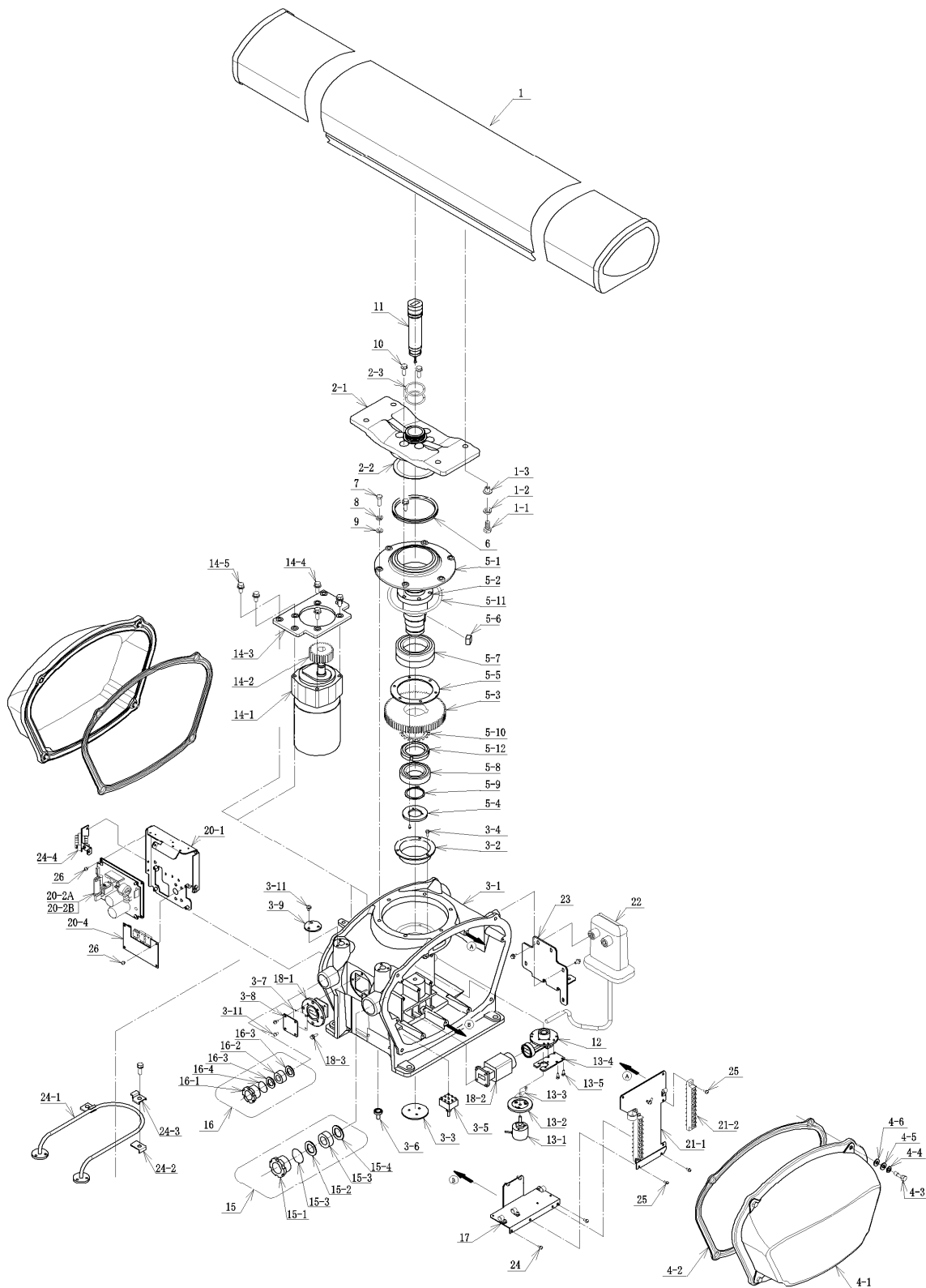
## NKE-1129

No.	PARTS NAME	PRODUCT CODE	SERVICE CODE	NOTE
1	Radiator Assy.		NAX-16B	9ft/7ft
1-1	Bolt	BRTG07249		HEX10X35 SUS304
1-2	Spring Washer	BRTG00404		SW10
1-3	Washer	MTL315466		
2	Support Assy.	MPBX40223		
2-1	Antenna Support	MTC301223A		
2-2	Slide Plate	MTT309252		
2-3	O-Ring	BRPK00054		P42 ID41.7 D3.5
3	Housing Assy.			
3-1	Housing	MTC301727		
3-2	Sleeve	MTL317432		
3-3	Breathing Cap	MTT309253		
3-4	Upset Bolt	BRTG09305		M5X12 FF ZMC4RBU
3-5	Toggle Switch	MDLW11931		CSD-654
3-6	Cover for SW	MPPK00925A		
3-7	Cover	MTB389969		
3-8	Cover	MTB389970		
3-9	NK5X10Bs	BSNK05010B		
3-10	NK5X12Bs	BSNK05012B		
4	Cover Assy.	MPBX44875		
4-1	Cover	MTC301729		
4-2	Packing	MTV303883		
4-3	Bolt	MPTG31381		
4-5	Spring Washer	BRTG00747		M8SUS304 3.2X2
4-4	Washer	BRTG00224		M8 SUS304
4-6	Sealing Washer	BRTG01826		M8 SUS
5	Drive Assy.	MPGK30895C		
5-1	Flange	MTC301224A		
5-2	Main Shaft	MTH300568A		
5-3	Main Gear	MTG300423A		
5-4	Gear	MTG300424		
5-5	Spacer	MTB366794A		
5-6	Key	MTL317433		

No.	PARTS NAME	PRODUCT CODE	SERVICE CODE	NOTE
5-7	Bearing	BRGK05410		6012ZZ CM/5K
5-8	Bearing	BRGK05409		6009ZZ CM/5K
5-9	Retaining Ring-C Type	BRTG06164		
5-10	Rolling Bearing Washer	BRTG07261		AW10X ID50
5-11	O-Ring	BRPK05043		G155
5-12	Rolling Bearing Locknut	BSAN10000S		AN10 M50X1.5
6	V-Ring	BRPK00189		V-100A
7	Bolt	BRTG07268		M8X25 TI
8	Spring Washer	BRTG07270		M8 TI
9	Washer	BRTG07267		M8 TI
10	Bolt	BRTG06849		M8X23 SUS304
11	Rotary Joint Assy.	MPAB31188		
12	Wave Guide	MPAB31207A		
13	Encoder Assy.	MPEM30202		
13-1	Encoder	MDMW11068	CHT-71A	CHT-71
13-2	Spur Gear	MTT006909B		
13-3	Click	MTD001842		
13-4	Plate Encoder Mounting	MTB366793A		
13-5	Upset Bolt	BRTG06852		M4X12 SW W SUS304
14	Motor Assy.	-		
14-1	Motor	MPEM30201	MDBW10822	CBP-203
14-2	Spur Gear	MTG300425		
14-3	Flange for Motor	MTC301225		
14-4	Bolt	BRTG09307		M8X30 SW W SUS304
14-5	Bolt	BRTG09306		M8X20SWWFE ZMC
15	Clump Gland Assy.(A30)	MPJD30062A		
15-1	Clump Gland	MPTG31572A		
15-2	Gasket	BRPK00108		
15-3	Washer	BRTG01246		30B AL
15-4	Cover	BRTG01415		30 AL



No.	PARTS NAME	PRODUCT CODE	SERVICE CODE	NOTE
16	Clump Gland Assy.(A25)	MPJD30063A		
16-1	Clump Gland	MPTG31573A		
16-2	Gasket	BRPK00134		A25a
16-3	Washer	BRTG00883		25A AL
16-4	Cover	BRTG01414		25 AL
17	Bracket	MPBC38474		
18	Connection Waveguide	MPAB31264A		
18-1	Waveguide Transformer	MTM301850		
18-2	Waveguide(for 3unit)	MTM301571A		
19	-	-		
20	Motor Control Assy.	MPBX45041		
20-1	Chassis for Control	MPBX45039		
20-2A	Motor Driver	-	7EPRD0035	CBD-2001
20-2B	Motor Driver	-	7EPRD0034	CBD-2000
20-3	-	-		
20-4	Brake control PC	-	CCB-655	CCB-655
21	Terminal Board Assy.	MPTE30368A		
21-1	Chassis for Terminal Board	MPBC38473A		
21-2	Terminal Board	MPTE00753		
22	Performance Monitor Unit	-	NJU-85	NJU-85
23	PM Adapter	MPBC43041A		
24	Neck Heator kit	MDMW11067A		(CHG-216)
24-1	Neck Heator Unit	-		
24-2	Plate Clamp	MTB374149		
24-3	Plate Clamp	MTB374150		
24-4	Terminal Board for heater	-		
25	Cross-recessed Head Screw	BSNC04010B		M4X10 SW LW
26	Cross-recessed Head Screw	BSNC04008B		M4X8 SW LW



NKE-1129  
SCANNER UNIT

SWNKE5298

**Fig. 3.2.4 Exploded view of NKE-1129**

## NKE-1130

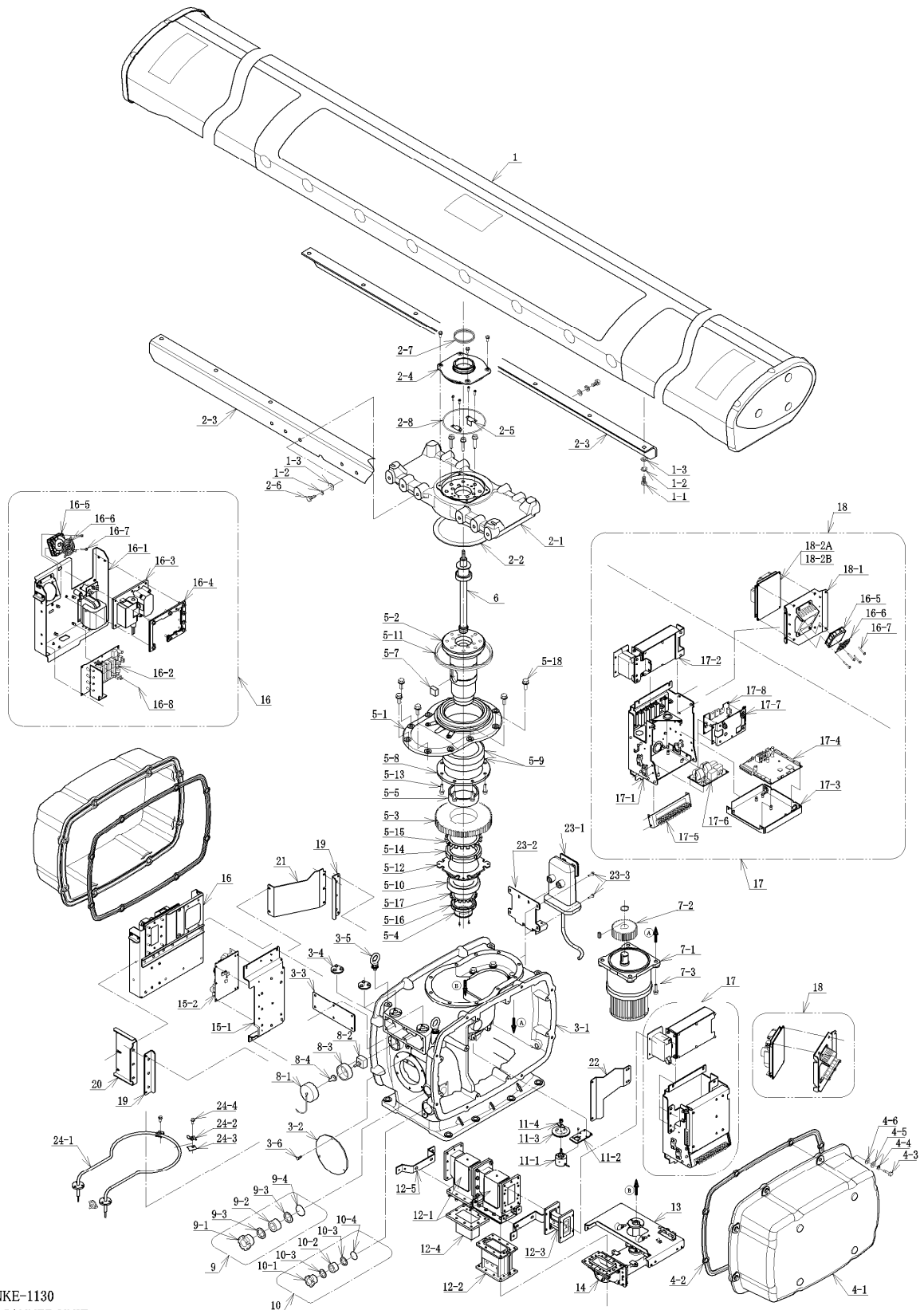
No.	PARTS NAME	PRODUCT CODE	SERVICE CODE	NOTE
1	Radiator Assy.	MPAE30494		Sband-12ft
1-1	Bolt	MPTG30317		M10X35SUS
1-2	Spring Washer	BRTG00404		SW10 SUS
1-3	Washer	BRTG00402		W10 SUS
2	Support Assy.	MPGK31208		
2-1	Antenna Support	MTC301654		
2-2	Slide Plate	MTB085860		
2-3	Angle Mounting	MTA301876		
2-4	Flange	MTC301697		
2-5	Plate	MTB388904		
2-6	Bolt	BRTG00413		M10X25SUS
2-7	O-Ring	BRPK00077		
2-8	O-Ring	BRPK00102		
3	Housing Assy.	MPBX44644		
3-1	Housing	MTC301650A		
3-2	Cover	MTB391089		
3-3	Cover	MTB388905		
3-4	Cover	MTB389970		
3-5	Eeybolt	BRTG09377		M10X25SUS
3-6	Bolt	BRTG00876		HEX6X12SUS_SW_W
4	Cover Assy.	MPBX44206		
4-1	Cover	MTC301653A		
4-2	Packing	MTV304394		
4-3	Bolt	MPTG31381		B8X30
4-4	Spring Washer	BRTG00224		SW8 SUS304
4-5	Washer	BRTG00747		W8 SUS304
4-6	Sealing Washer	BRTG01826		
5	Drive Assy.	MPGK31207		
5-1	Flange	MTC301652A		
5-2	Main Shaft	MTH300660		
5-3	Main Gear	MTG300493		
5-4	Gear	MTG300424A		
5-5	Spacer	MTL325042		

No.	PARTS NAME	PRODUCT CODE	SERVICE CODE	NOTE
5-6	-	-		
5-7	Key	MTK300651		
5-8	Plate	MTL325041		
5-9	Bearing	BRGK05486		6018ZZCM/5K
5-10	Bearing	BRGK05419		6014ZZCM/5K
5-11	V-Ring	BRPK00337		V-180A
5-12	Bearing case	MTL325043		
5-13	Bolt	BRTG04290		CAP8X30_SCM435
5-14	Rolling Bearing Locknut	BSAN13000S		AN13
5-15	Rolling Bearing Locknut	BSAN18000S		AN18
5-16	Rolling Bearing Washer	BSAW13000S		AW13
5-17	Rolling Bearing Washer	BSAW18000S		AW18
5-18	Bolt	BRTG09193		M10X30SUS
6	Rotary Joint Assy.	MPAB31588		
7	Motor Assy.	MDBW10823	MDBW10823	CBP-205
7-1	Motor	-		
7-2	Spur Gear	MTG300142A		
7-3	Bolt	BRTG00752		HEX10X40SUS
8	Turning Switch Assy.	-		
8-1	Cap	MPDM30338		
8-2	Toggle Switch	MPSW30170		CSD-656
8-3	Housing	MTV001589		
8-4	Cover for SW	MPPK00925A		
9	Clump Gland Assy.(A30)	MPJD30062A		
9-1	Clump Gland	MPTG31572A		
9-2	Gasket	BRPK00108		
9-3	Washer	BRTG01246		
9-4	Cover	BRTG01415		
10	Clump Gland Assy.(A25)	MPJD30063A		
10-1	Clump Gland	MPTG31573A		
10-2	Gasket	BRPK00134		
10-3	Washer	BRTG00883		
10-4	Cover	BRTG01414		
11	Encoder Assy.	MPEM30199		
11-1	Encoder	MDMW11068	CHT-71A1	CHT-71A1
11-2	Plate Encoder Mounting	MTB366793A		

No.	PARTS NAME	PRODUCT CODE	SERVICE CODE	NOTE
11-3	Spur Gear	MTT006909B		
11-4	Click	MTD001842		
12	Wave Guide ASSY	MPAB31722		
12-1	Circulator	-		NJS6318
12-2	Spurious Filter	MPAB31663		
12-3	Diord Limiter	-		
12-4	Dummy Load	MPAB31595		
12-5	Plate	MTB391087		
13	Internal unit guide ASSY	MPBP31560		
14	Wave Guide ASSY	MPAB31723A		
15	Power Supply Unit	MPBX44646		
15-1	Chassis for Power Supply	MPBC43418		
15-2	Power Supply PC	MDBW10837A	CBD-1682A	CBD-1682A
16	Modulator Unit	MDNMA5080A		NMA-551-1
16-1	Main Chassis	MPBC43438		
16-2	Modulator PC	MDLW11946	CPA-264 (MDLW11927)	CPA-264
16-3	Magnetron	-	5VMAA00104	
16-4	Holding Plate for Magnetron	MPBP31522		
16-5	FAN	-	7BFRD0002	
16-6	Fan guard	-		
16-7	Cross-recessed Head Screw	BSNC04030B		NC4X30Bs
16-8	Cross-recessed Head Screw	BSNB04010B		NC4x10Bs
17	Receiver Assy.	MPBX45031		
17-1	Chassis for Receiver	MPBX45032		
17-2	Receiver	MDNRG5092B	NRG-229	NRG-229
17-3	Chassis for TRCONT	MPBC43420		
17-4	TR-Control PC		CMC-1205R	CMC-1205R
17-5	Terminal Board	MPBC43421		
17-6	Relay PC		CSC-656	CSC-656
17-7	Chassis for Control	MPBX45027		
17-8	Brake control PC		CCB-655	CCB-655
18	Motor Control Assy.	MPBX44651		
18-1	Chassis for Motor Control	MPBX44653		
18-2A	Motor Driver for 100V	-	7PERD0035	CBP-2001
18-2B	Motor Driver for 220V	-	7PERD0034	CBP-2000

No.	PARTS NAME	PRODUCT CODE	SERVICE CODE	NOTE
19	Holding PlateA for Unit	MPBP31565		M6X16SWW SUS304
20	Holding PlateA for Modulator	MTB391101		
21	Holding PlateB for Modulator	MTB391102		
22	Holding PlateB for Receiver	MTB391103		
23	Performance Monitor Unit	-		
23-1	Performance Monitor	-	NJU-84	NJU-84
23-2	Cradle	MTB391104		
23-3	Bolt	BRTG01690		HEX5X12SUS
24	Neck Heater kit	MDMW11048		(CHG-215)
24-1	Neck Heater Unit	-		
24-2	Plate Clamp	MTB388896		
24-3	Plate Clamp	MTB388897		
24-4	Bolt	BRTG00671		HEX6X16SUS

NKE-1130  
SCANNER UNIT



SWNKE5294

Fig. 3.2.5 Exploded view of NKE-1130

## NKE-1139

No.	PARTS NAME	PRODUCT CODE	SERVICE CODE	NOTE
1	Radiator Assy.	MPAE30494		Sband-12ft
1-1	Bolt	MPTG30317		M10X35SUS
1-2	Spring Washer	BRTG00404		SW10 SUS
1-3	Washer	BRTG00402		W10 SUS
2	Support Assy.	MPGK31208		
2-1	Antenna Support	MTC301654		
2-2	Slide Plate	MTB085860		
2-3	Angle Mounting	MTA301876		
2-4	Flange	MTC301697		
2-5	Plate	MTB388904		
2-6	Bolt	BRTG00413		M10X25SUS
2-7	O-Ring	BRPK00077		
2-8	O-Ring	BRPK00102		
3	Housing Assy.	MPBX44644		
3-1	Housing	MTC301650A		
3-2	Cover	MTB391089		
3-3	Cover	MTB388905		
3-4	Cover	MTB389970		
3-5	Eeybolt	BRTG09377		M10X25SUS
3-6	Bolt	BRTG00876		HEX6X12SUS_SW_W
4	Cover Assy.	MPBX44206		
4-1	Cover	MTC301653A		
4-2	Packing	MTV304394		
4-3	Bolt	MPTG31381		B8X30
4-4	Spring Washer	BRTG00224		SW8 SUS304
4-5	Washer	BRTG00747		W8 SUS304
4-6	Sealing Washer	BRTG01826		
5	Drive Assy.	MPGK31207		
5-1	Flange	MTC301652A		
5-2	Main Shaft	MTH300660		
5-3	Main Gear	MTG300493		
5-4	Gear	MTG300424A		
5-5	Spacer	MTL325042		



No.	PARTS NAME	PRODUCT CODE	SERVICE CODE	NOTE
5-6	-	-		
5-7	Key	MTK300651		
5-8	Plate	MTL325041		
5-9	Bearing	BRGK05486		6018ZZCM/5K
5-10	Bearing	BRGK05419		6014ZZCM/5K
5-11	V-Ring	BRPK00337		V-180A
5-12	Bearing case	MTL325043		
5-13	Bolt	BRTG04290		CAP8X30_SCM435
5-14	Rolling Bearing Locknut	BSAN13000S		AN13
5-15	Rolling Bearing Locknut	BSAN18000S		AN18
5-16	Rolling Bearing Washer	BSAW13000S		AW13
5-17	Rolling Bearing Washer	BSAW18000S		AW18
5-18	Bolt	BRTG09193		M10X30SUS
6	Rotary Joint Assy.	MPAB31588		
7	Motor Assy.	MDBW10823	MDBW10823	CBP-205
7-1	Motor(AC110V 1φ)	-		
7-2	Spur Gear	MTG300142A		
7-3	Bolt	BRTG00752		HEX10X40SUS
8	Turning Switch Assy.	-		
8-1	Cap	MPDM30338		
8-2	Toggle Switch	MPSW30170		CSD-656
8-3	Housing	MTV001589		
8-4	Cover for SW	MPPK00925A		
9	Clump Gland Assy.(A30)	MPJD30062A		
9-1	Clump Gland	MPTG31572A		
9-2	Gasket	BRPK00108		
9-3	Washer	BRTG01246		
9-4	Cover	BRTG01415		
10	Clump Gland Assy.(A25)	MPJD30063A		
10-1	Clump Gland	MPTG31573A		
10-2	Gasket	BRPK00134		
10-3	Washer	BRTG00883		
10-4	Cover	BRTG01414		
11	Encoder Assy.	MPEM30199		
11-1	Encoder	MDMW11068	CHT-71A1	CHT-71A1
11-2	Plate Encoder Mounting	MTB366793A		

No.	PARTS NAME	PRODUCT CODE	SERVICE CODE	NOTE
11-3	Spur Gear	MTT006909B		
11-4	Click	MTD001842		
14	Wave Guide	MPAB31727		
15	Wave Guide Gland ASSY	MPJD30077		
15-1	Flange	MTC301681		
15-2	Clump Gland	MPTG31993		
15-3	Cover	MTD300791		
15-4	Washer	BRTG01190		
15-5	Gasket	BRPK00013		
15-6	Bolt	BRTG04312		HEX6X20SUS_SW_W
16	Motor Control Assy.	MPBC43925		
16-1	Chassis for Control	MPBC43926		
16-2A	Motor Driver for 100V	-	7PERD0035	CBP-2001
16-2B	Motor Driver for 220V	-	7PERD0034	CBP-2000
16-3	Brake control PC	MPBX45028		
16-4	Brake PC	MPBX45029		
17	Terminal Board Assy.	MPBX44654A		
17-1	Plate for Terminal Board	MTB391106		
17-2	Terminal Board	-		
17-3	Cross-recessedScrew Head	BSNC04020B		
23	Performance Monitor Unit	-		
23-1	Performance Monitor	-	NJU-84	NJU-84
23-2	Cradle	MTB391104		
23-3	Bolt	BRTG01690		HEX5X12SUS
24	Neck Heater kit	MDMW11048		(CHG-215)
24-1	Neck Heater Unit	-		
24-2	Plate Clamp	MTB388896		
24-3	Plate Clamp	MTB388897		
24-4	Bolt	BRTG00671		HEX6X16SUS



## NKE-1632

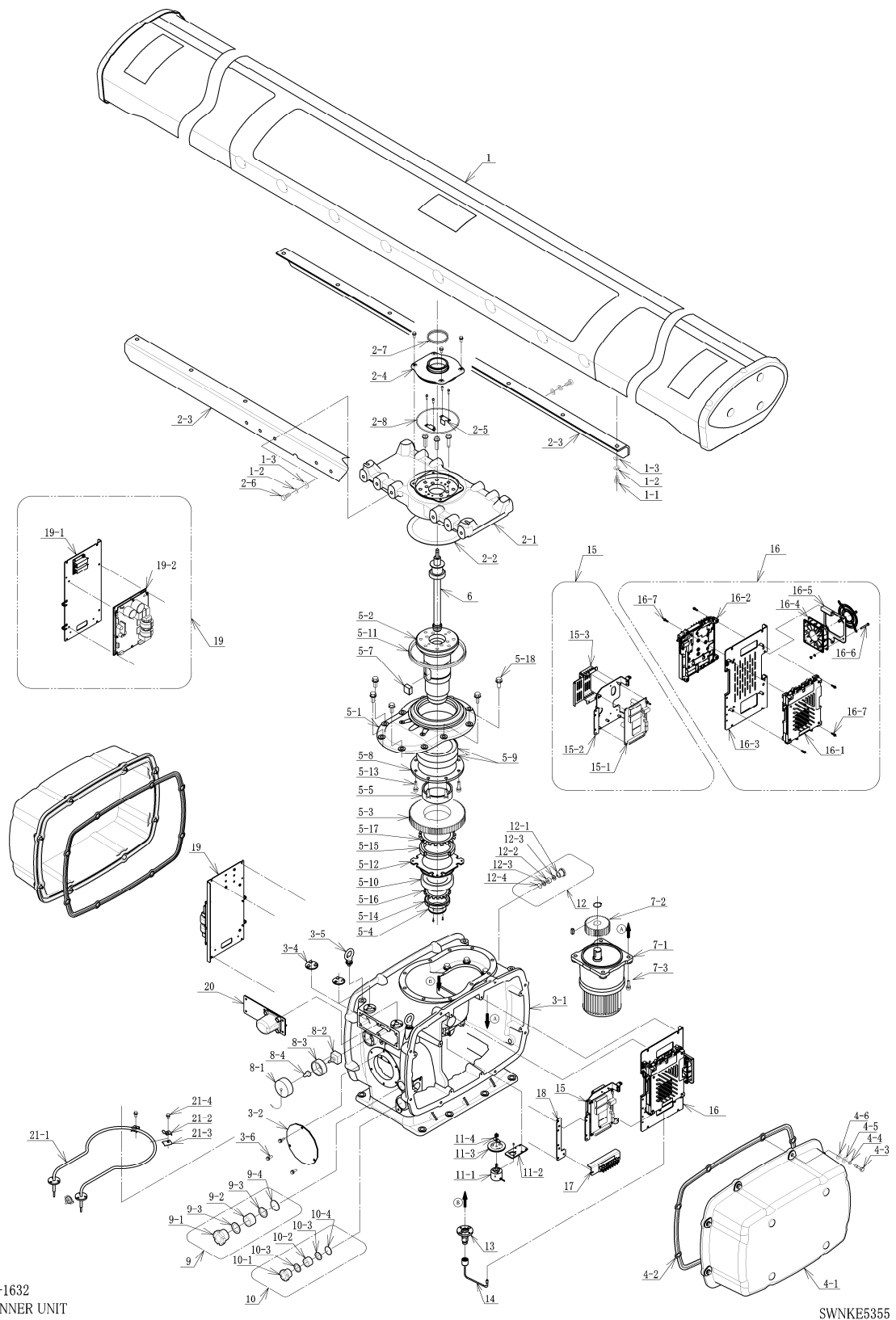
No.	PARTS NAME	PRODUCT CODE	SERVICE CODE	NOTE
1	Radiator Assy.	MPAE30494	NAX-80	
1-1	Bolt	MPTG30317		M10X35SUS
1-2	Spring Washer	BRTG00404		SW10 SUS
1-3	Washer	BRTG00402		W10 SUS
2	Support Assy.	MPGK31208A		
2-1	Antenna Support	MTC301654		
Angle	Slide Plate	MTB085860		
2-3	Angle Mounting	MTA301876		
2-4	Flange	MTC301697A		
2-5	Plate	MTB388904		
2-6	Bolt	BRTG00413		M10X25SUS
2-7	O-Ring	BRPK00077		
2-8	O-Ring	BRPK00102		
3	Housing Assy.	MPBX45478		
3-1	Housing	MTC301650B		
3-2	Cover	MTB391089		
3-3	-	-		
3-4	Cover	MTB389970		
3-5	Eeybolt	BRTG09377		M10X25SUS
3-6	Bolt	BRTG00876		HEX6X12SUS_SW_W
4	Cover Assy.	MPBX44206A		
4-1	Cover	MTC301653B		
4-2	Packing	MTV304394		
4-3	Bolt	MPTG31381		B8X30
4-4	Spring Washer	BRTG00224		SW8 SUS304
4-5	Washer	BRTG00747		W8 SUS304
4-6	Sealing Washer	BRTG01826		

No.	PARTS NAME	PRODUCT CODE	SERVICE CODE	NOTE
5	Drive Assy.	MPGK31207		
5-1	Flange	MTC301652A		
5-2	Main Shaft	MTH300660		
5-3	Main Gear	MTG300493		
5-4	Gear	MTG300424A		
5-5	Spacer	MTL325042		
5-6	-	-		
5-7	Key	MTK300651		
5-8	Plate	MTL325041		
5-9	Bearing	BRGK05486		6018ZZCM/5K
5-10	Bearing	BRGK05419		6014ZZCM/5K
5-11	V-Ring	BRPK00337		V-180A
5-12	Bearing case	MTL325043		
5-13	Bolt	BRTG04290		CAP8X30_SCM435
5-14	Roling Bearing Locknut	BSAN13000S		AN13
5-15	Roling Bearing Locknut	BSAN18000S		AN18
5-16	Roling Bearing Washer	BSAW13000S		AW13
5-17	Roling Bearing Washer	BSAW18000S		AW18
5-18	Bolt	BRTG09193		M10X30SUS Plating
6	Rotary Joint Assy.	MPAB31588A		
7	Motor Assy.	MDBW10823	MDBW10823	CBP-205
7-1	Motor	-		
7-2	Spur Gear	MTG300142A		
7-3	Bolt	BRTG00752		HEX10X40SUS
8	Turning Switch Assy.	MPSW30204		
8-1	Cap	MPDM30356		
8-2	Toggle Switch	MPSW30204		
8-3	Housing	MTV304855		
8-4	Cover for SW	MPPK00925A		

No.	PARTS NAME	PRODUCT CODE	SERVICE CODE	NOTE
9	Clump Gland Assy.(A30)	MPJD30062A		
9-1	Clump Gland	MPTG31572A		
9-2	Gasket	BRPK00108		
9-3	Washer	BRTG01246		
9-4	Cover	BRTG01415		
10	Clump Gland Assy.(A25)	MPJD30063A		
10-1	Clump Gland	MPTG31573A		
10-2	Gasket	BRPK00134		
10-3	Washer	BRTG00883		
10-4	Cover	BRTG01414		
11	Encoder Assy.	MPEM30264		
11-1	Encoder	MDMW11233		
11-2	Plate Encoder Mounting	MTB366793A		
11-3	Spur Gear	MTT006909B		
11-4	Click	MTD001842		
12	Clump Gland Assy.(A15)	MPJD30067		
12-1	Clump Gland	MPTG31574A		
12-2	Gasket	BRPK00222		
12-3	Washer	BRTG01341		
12-4	Cover	BRTG01402		
13	20D-N Type Connector	MPAB32437		
14	Cable	-		
15	Power supply I/F Unit	MPBX48307		
15-1	Power supply I/F Circuit	-	CMP-493	
15-2	Chassis for Power Supply	MPBC48362		
15-3	Back Cover	MTB407208		

No.	PARTS NAME	PRODUCT CODE	SERVICE CODE	NOTE
16	Transmission and Receiver Unit	MDNZT5034	NZT-1632	
16-1	Signal processing Unit	MDNDC5537	NDC-4920	
16-2	Transmission and Receiver Circuit	MDHW10842	CMN-797	
16-3	Main Chassis	MPBX47975		
16-4	FAN	-		
16-5	Fan Base	MTB407209		
16-6	Cross-recessed Head Screw	BSNC04035B		M4X35Bs_SW_LW
16-7	Cross-recessed Head Screw	BSNC04016B		M4X16Bs_SW_LW
17	Tarminal Board Assy.	MPBP31963		
18	Baseboard	MPBC48375		
19	Motor Control Assy.	MPBX48308		
19-1	Chassis for Motor Control	MPBC48809		
19-2	Motor Driver for 100V	-	CBD-1949	
20	Performance Monitor Unit	-	CAY-77	
20-1	PM Radome	MTV305275		
20-2	PM Packing	MTV305274		
20-3	Cross-recessed Head Screw	BRTG00522		
20-4	Plate	MTB406039		
21	Neck Heater kit	MDMW11243	CHG-235	
21-1	Neck Heater Unit	-		
21-2	Plate Clamp	MTB388896		
21-3	Plate Clamp	MTB388897		
21-4	Bolt	BRTG00671		HEX6X16SUS

NKE-1632  
SCANNER UNIT



SWNKE5355

Fig. 3.2.7 Exploded view of NKE-1632



---

---

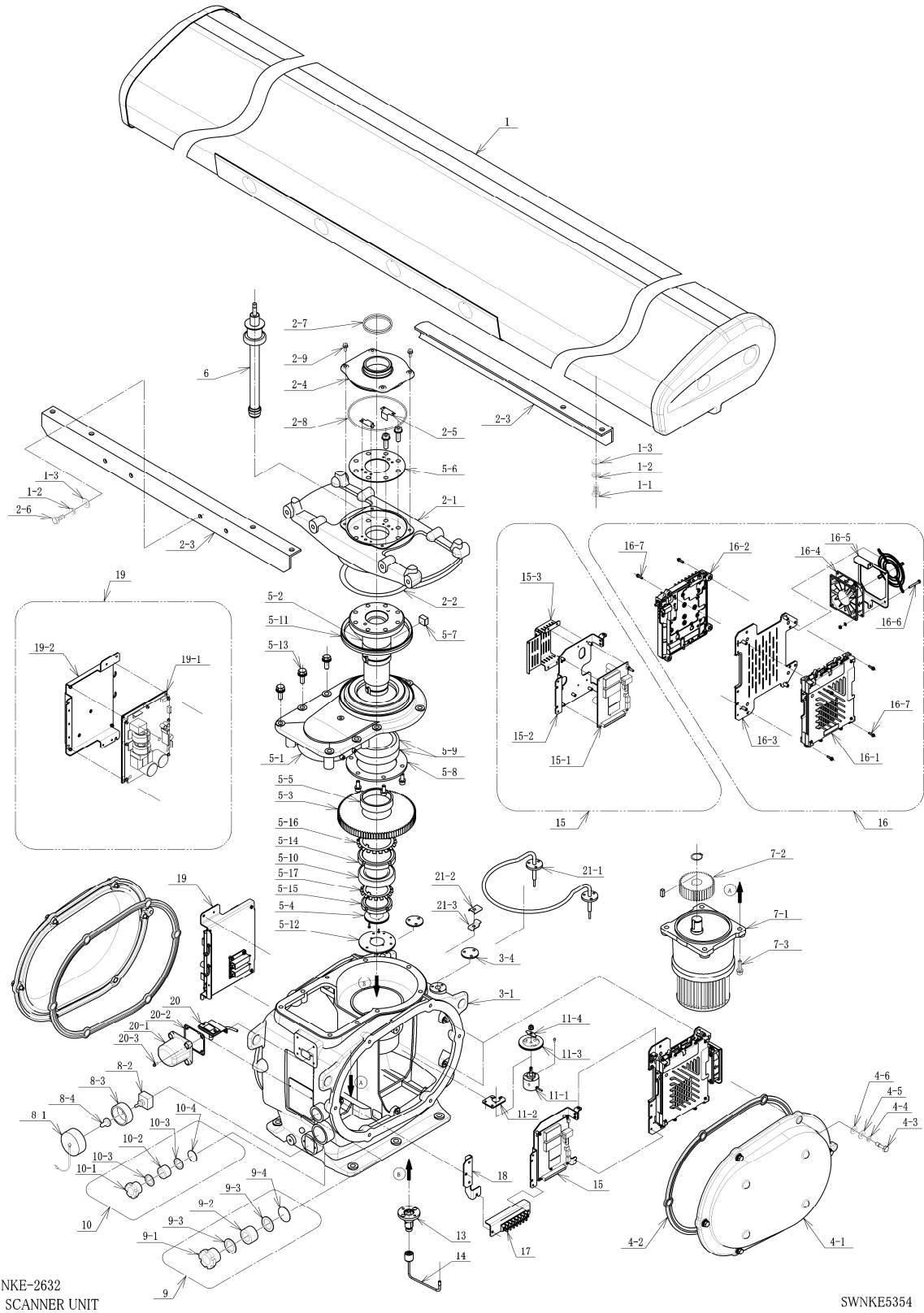
## NKE-2632

No.	PARTS NAME	PRODUCT CODE	SERVICE CODE	NOTE
1	Radiator Assy.	MDNAX5078		NAX-110
1-1	Bolt	MPTG01390		M10X30SUS
1-2	Spring Washer	BRTG00404		SW10 SUS
1-3	Washer	BRTG00402		W10 SUS
2	Support Assy.	MPGK31559		
2-1	Antenna Support	MTC302006A		
2-2	Slide Plate	MTT314616		
2-3	Angle Mounting	MTA302014		
2-4	Flange	MTC301697A		
2-5	Plate	MTB402474		
2-6	Bolt	BRTG00413		M10X25SUS
2-7	O-Ring	BRPK00102		
2-8	O-Ring	BRPK00077		
2-9	Bolt	BRTG00671		M6X16SUS
3	Housing Assy.	MPBX48305		
3-1	Housing	MTC302003A		
3-2	-	-		
3-3	-	-		
3-4	Cover	MTB389970		
4	Cover Assy.	MPBX48304		
4-1	Cover	MTC302005A		
4-2	Packing	MTV305276		
4-3	Bolt	MPTG31381		B8X30
4-4	Spring Washer	BRTG00747		SW8 SUS304
4-5	Washer	BRTG00224		W8 SUS304
4-6	Sealing Washer	BRTG01826		

No.	PARTS NAME	PRODUCT CODE	SERVICE CODE	NOTE
5	Drive Assy.	MPGK31557		
5-1	Flange	MTC302004A		
5-2	Main Shaft	MTH300728		
5-3	Main Gear	MTG300550		
5-4	Gear	MTG300424A		
5-5	Spacer	MTL330503		
5-6	Support Ring	MTB402490A		
5-7	Key	MTK300677		
5-8	Plate	MTL330502		
5-9	Bearing	BRGK05419		6014ZZCM/5K
5-10	Bearing	BRGK05420		6011ZZCM/5K
5-11	V-Ring	BRPK05214		V-160A
5-12	Coaxial Flange			MTL330501A
5-13	Bolt	BRTG03882		CAP8X20_SCM435
5-14	Roling Flange Locknut	BSAN14000S		AN14
5-15	Roling Flange Locknut	BSAN11000S		AN11
5-16	Roling Bearing Washer	BSAW14000S		AW14
5-17	Roling Bearing Washer	BSAW11000S		AW11
5-18	Bolt	BRTG09193		M10X30SUS Plating
6	Rotary Joint Assy.	MPAB32497		
7	Motor Assy.	MDBW10823	CBP-205	
7-1	Motor	7BDRD0049		
7-2	Spur Gear	MTG300142A		
7-3	Bolt	BRTG00752		HEX10X40SUS
8	Turning Switch Assy.	MPSW30203		
8-1	Cap	MPDM30357 B		
8-2	Toggle Switch	MPSW30202		
8-3	Housing	MTV304855		
8-4	Cover for SW	MPPK00925A		

No.	PARTS NAME	PRODUCT CODE	SERVICE CODE	NOTE
9	Clump Gland Assy.(A30)	MPJD30062A		
9-1	Clump Gland	MPTG31572A		
9-2	Gasket	BRPK00108		
9-3	Washer	BRTG01246		
9-4	Cover	BRTG01415		
10	Clump Gland Assy.(A25)	MPJD30063A		
10-1	Clump Gland	MPTG31573A		
10-2	Gasket	BRPK00134		
10-3	Washer	BRTG00883		
10-4	Cover	BRTG01414		
11	Encoder Assy.	MPEM30263		
11-1	Encoder	-	CHT-85	
11-2	Plate Encoder Mounting	MTB405539		
11-3	Spur Gear	MTT006909B		
11-4	Click	MTD001842		
12	-	-		
13	20D-N Type Connector	MPAB32436		
14	Cable	-		
15	Power supply I/F Unit	MPBX48307		
15-1	Power supply I/F circuit	-	CMP-493	
15-2	Chassis for Power Supply	MPBC48362		
15-3	Back Cover	MTB407208		
16	Transmission and Receiver Unit	MDNZT5036	NZT-2632	
16-1	Signal processing Unit	MDNDC5537	NDC-4920	
16-2	Transmission and Receiver circuit	MDHW10842	CMN-797	
16-3	Main	Chassis	MPBX48314	
16-4	FAN	-	109L0912S410	
16-5	Fan Base	MTB407209		
16-6	Cross-recessed Head Screw	BSNC04035B		M4X35Bs_SW_LW
16-7	Cross-recessed Head Screw	BSNC04016B		M4X16Bs_SW_LW

No.	PARTS NAME	PRODUCT CODE	SERVICE CODE	NOTE
17	Tarminal Board Assy.	MPBP31963		
18	Base board	MPBC48800		
19	Motor Control Assy.	MPBX48306		
19-1	Chassis for Motor Control	MPBC48799		
19-2	Motor Driver for 100V	-	CBD-1949	
20	Performance Monitor Unit	MPAE30619	CAY-77	
20-1	PM Radpme	MTV305275		
20-2	PM Packing	MTV305274		
20-3	Cross-recessed Head Screw	BRTG00522	M4X12 SUS	
21	Neck Heater kit	MDMW11242	CHG-234	
21-1	Neck Heater Unit	-		
21-2	Plate Clamp	MTB388896		
21-3	Plate Clamp	MTB388897		
21-4	Bolt	BRTG00671	HEX6X16SUS	



**Fig. 3.2.8 Exploded view of NKE-2632**

## NKE-2632-H

No.	PARTS NAME	PRODUCT CODE	SERVICE CODE	NOTE
1	Radiator Assy.	MDNAX5078	NAX-110	
1-1	Bolt	MPTG01390		M10X30SUS
1-2	Spring Washer	BRTG00404		SW10 SUS
1-3	Washer	BRTG00402		W10 SUS
2	Support Assy.	MPGK31559		
2-1	Antenna Support	MTC302006B		
2-2	Slide Plate	MTT314616		
2-3	Angle Mounting	MTA302014		
2-4	Flange	MTC301697A		
2-5	Plate	MTB402474		
2-6	Bolt	BRTG00413		M10X25SUS
2-7	O-Ring	BRPK00077		
2-8	O-Ring	BRPK00102		
2-9	Bolt	BRTG00671		M6X16SUS
3	Housing Assy.	MPBX48305		
3-1	Housing	MTC302003A		
3-2	-	-		
3-3	-	-		
3-4	Cover	MTB389970		
4	Cover Assy.	MPBX48304		
4-1	Cover	MTC302005A		
4-2	Packing	MTV305276		
4-3	Bolt	MPTG31381		B8X30
4-4	Spring Washer	BRTG00747		SW8 SUS304
4-5	Washer	BRTG00224		W8 SUS304
4-6	Sealing Washer	BRTG01826		

No.	PARTS NAME	PRODUCT CODE	SERVICE CODE	NOTE
5	Drive Assy.	MPGK31557		
5-1	Flange	MTC302004A		
5-2	Main Shaft	MTH300728A		
5-3	Main Gear	MTG300550		
5-4	Gear	MTG300424A		
5-5	Spacer	MTL330503		
5-6	Support Ring	MTB402490A		
5-7	Key	MTK300677		
5-8	Plate	MTL330502		
5-9	Bearing	BRGK05419		6014ZZCM/5K
5-10	Bearing	BRGK05420		6011ZZCM/5K
5-11	V-Ring	BRPK05214		V-160A
5-12	Coaxial Flange	MTL330501A		
5-13	Bolt	BRTG03882		CAP8X20_SCM43 5
5-14	Rolling Flange Locknut	BSAN14000S		AN14
5-15	Rolling Flange Locknut	BSAN11000S		AN11
5-16	Rolling Bearing Washer	BSAW14000 S		AW14
5-17	Rolling Bearing Washer	BSAW11000 S		AW11
5-18	Bolt	BRTG09865		M10X30SUS
6	Rotary Joint Assy.	MPAB32497		
7	Motor Assy.	MDBW10967	MDBW10967	CBP-227
7-1	Motor	7BDRD0050		
7-2	Spur Gear	MTG300142A		
7-3	Bolt	BRTG00752		HEX10X40SUS
8	Turning Switch Assy.	MPSW30203		
8-1	Cap	MPDM30357 B		
8-2	Toggle Switch	-		
8-3	Housing	MTV304855		
8-4	Cover for SW	MPPK00925A		

No.	PARTS NAME	PRODUCT CODE	SERVICE CODE	NOTE
9	Clump Gland Assy.(A30)	MPJD30062A		
9-1	Clump Gland	MPTG31572A		
9-2	Gasket	BRPK00108		
9-3	Washer	BRTG01246		
9-4	Cover	BRTG01415		
10	Clump Gland Assy.(A25)	MPJD30063A		
10-1	Clump Gland	MPTG31573A		
10-2	Gasket	BRPK00134		
10-3	Washer	BRTG00883		
10-4	Cover	BRTG01414		
11	Encoder Assy.	MPEM30263		
11-1	Encoder	5BPAN00009	CHT-85	
11-2	Plate Encoder Mounting	MTB405539		
11-3	Spur Gear	MTT006909B		
11-4	Click	MTD001842		
12	-	-		
13	20D-N Type Connector	MPAB32436		
14	Cable	-		
15	Power supply I/F Unit	MPBX48307		
15-1	Power supply I/F circuit	-	CMP-493	
15-2	Chassis for Power Supply	MPBC48362		
15-3	Back Cover	MTB407208		
16	Transmission and Receiver Unit	MDNZT5036	NZT-2632	
16-1	Signal processing Unit	MDNDC5537	NDC-4920	
16-2	Transmission and Receiver circuit	MDHW10842	CMN-797	
16-3	Main Chassis	MPBX48314		
16-4	FAN	5BFAB00768	109L0912S410	109L0912S410
16-5	Fan Base	MTB407209		
16-6	Cross-recessed Head Screw	BSNC04035B		M4X35Bs_SW_LW
16-7	Cross-recessed Head Screw	BSNC04016B		M4X16Bs_SW_LW



No.	PARTS NAME	PRODUCT CODE	SERVICE CODE	NOTE
17	Terminal Board Assy.	MPBP31963		
18	Base board	MPBC48800		
19	Motor Control Assy.	MPBX48306		
19-1	Chassis for Motor Control	MPBC48799		
19-2	Motor Driver for 100V	-	CBD-1950	
20	Performance Monitor Unit	MPAE30619	CAY-77	
20-1	PM Radome	MTV305275		
20-2	PM Packing	MTV305274		
20-3	Cross-recessed Head Screw	BRTG00522		M4X12 SUS
21	Neck Heater kit	MDMW11242	CHG-234	
21-1	Neck Heater Unit	-		
21-2	Plate Clamp	MTB388896		
21-3	Plate Clamp	MTB388897		
21-4	Bolt	BRTG00671		HEX6X16SUS

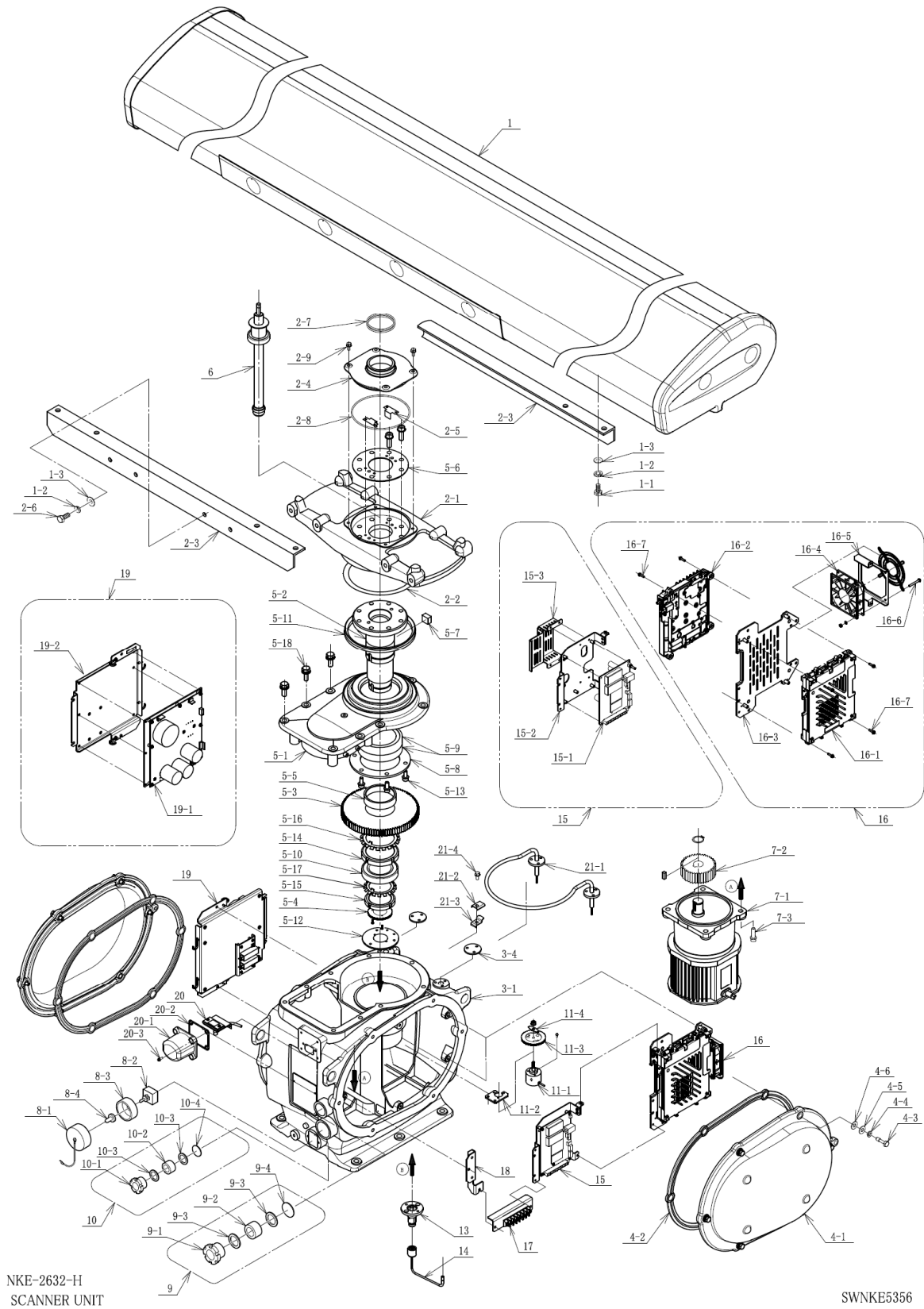


Fig. 3.2.9 Exploded view of NKE-2632-H

## NTG-3225

No.	PARTS NAME	PRODUCT CODE	SERVICE CODE	NOTE
1	Chassis Assy.	MPBX44429		
1-1	Chassis	MPBC43018		
1-2	Bracket for Modulator	MPBC42790		
1-3	Fixing Plate	MTB389236		
1-4	Clamp	MTL305132		
1-5	Clamp	MTL305133		
1-6	Bolt	BRTG00930		B6X40SUS
1-7	Bracket	MTB371097		
1-8	Bracket	MPBC43020		
1-9	Terminal Board	MPTE00753		
1-10	Guide Pin	BRTG00313		
1-11	Teflon Seat	MTT016920		
1-12	Cover	MTB005980A		
1-13	Upset Bolt	BRTG07397		M4X12 SW SUS304
1-14	Cross-recessed Head Screw	BSNB06030B		NB6X30Bs
2	Cover Assy.	MPBC43061		—
2-1	Thumb Screw	MPTG32003		
2-2	Nut	MTB089176		
2-3	Washer	BRTG00224		W8 SUS
2-4	Spring Washer	BRTG00747		SW8 SUS
3	Wave Guide Assy.	MPAB31620		
3-1	Wave Guide	MTM300794		
3-2	Bracket for Circulator	MTB370775		
3-3	Circulator	-		NJC3901M
3-4	Diode Limiter	-		NJS6930
3-5	Dummy Load	-		NJC4002
3-6	Waveguide Transformer	MTM301849		
3-7	Spurious Filter	-		NJC-9952
3-8	Upset Bolt	BRTG07397		M4X12 SW SUS304
3-9	Cross-recessed Head Screw	BRTG05659		M4X0.7X65BS
3-10	Cross-recessed Head Screw	BSNC06016B		NC6X16Bs
3-11	Spring Washer	BSSW04000S		SW4
3-12	Washer	BSFW04000B		W4Bs

No.	PARTS NAME	PRODUCT CODE	SERVICE CODE	NOTE
4	Clamping Plate Assy.	MPBP31515		
4-1	Bracket1	MTB370773A		
4-2	Bracket2	MTB389242		
4-3	Spacer	MTL306498		
4-4	Upset Bolt	BRTG06852		M4X12 SW W SUS304
5	Modulator Unit	MDNMA5076A	NMA-1252	
5-1	Chassis for Modulator	MPBC43021		
5-2	Cover for Modulator	MTB389249		
5-3	Modulator	MDLW11926	CPA-264 (MDLW11927)	
5-4	Pulse Transformer	-		
5-5	Waveguide	MPAB31622		
5-6	Magnetron	-	5VMAA00106	
6	Receiver	MDNRG5094	NRG-162A	
6-1	Bracket for Receiver	MTB389833		
7	Power Supply Unit	MPBX44430A		
7-1	Chassis for Power supply	MPBC43022		
7-2	Power Supply PC	MDBW10837	CBD-1682A	
8	Relay Unit	MPTE30365A		
8-1	Chassis for Relay	MPBC43023A		
8-2	Relay PC	-	CSC-656	
9	TR Control PC	-	CMC-1205R	
10	Cover TR Control	MTB371105		
11	Spacer	BRBP06891		BSB-440E
12	Cross-recessed Head Screw	BSNC04012B		NC4X12Bs
13	Cross-recessed Head Screw	BSNC04010B		NC4X10Bs

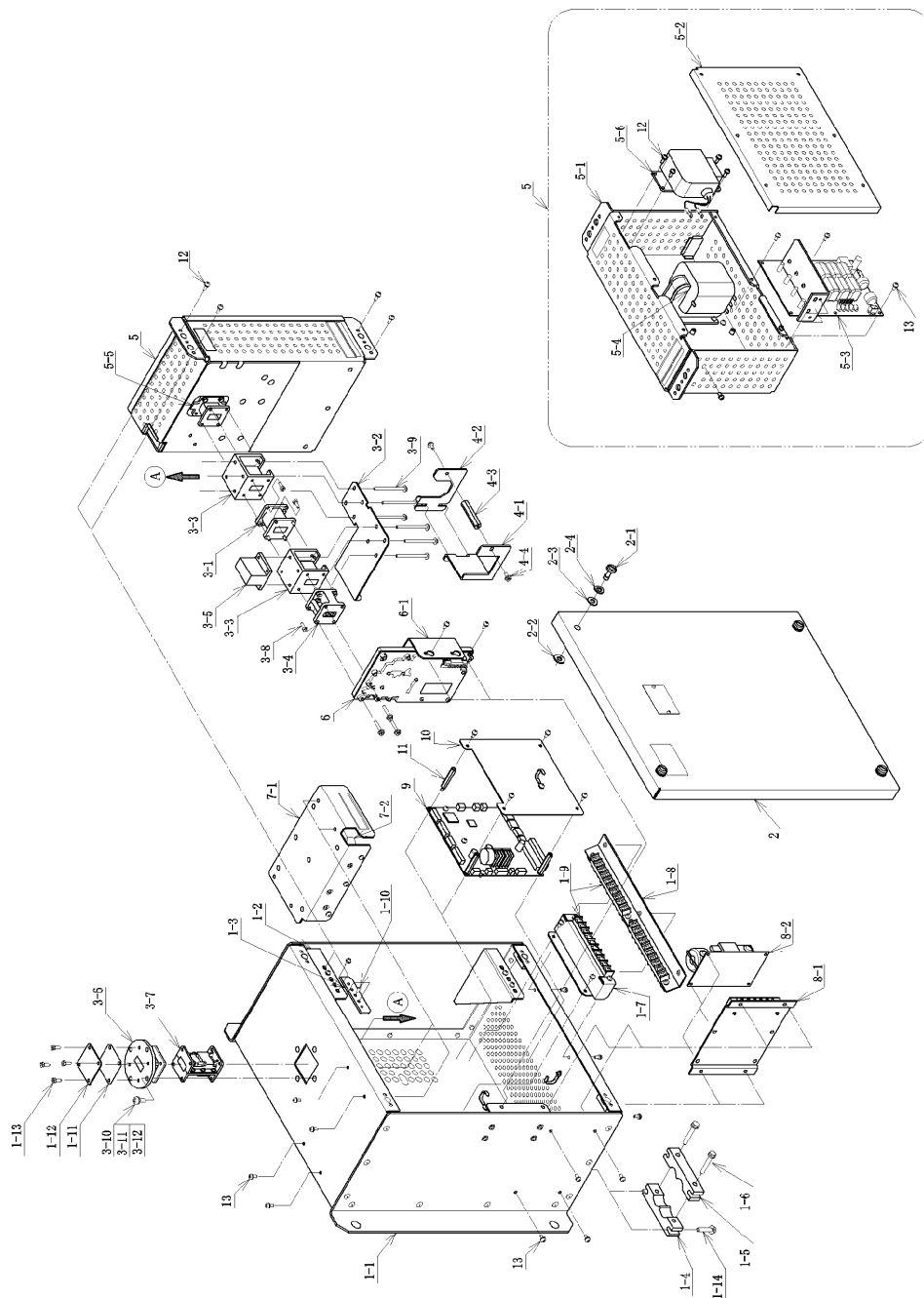


Fig. 3.2.10 Exploded view of NTG-3225

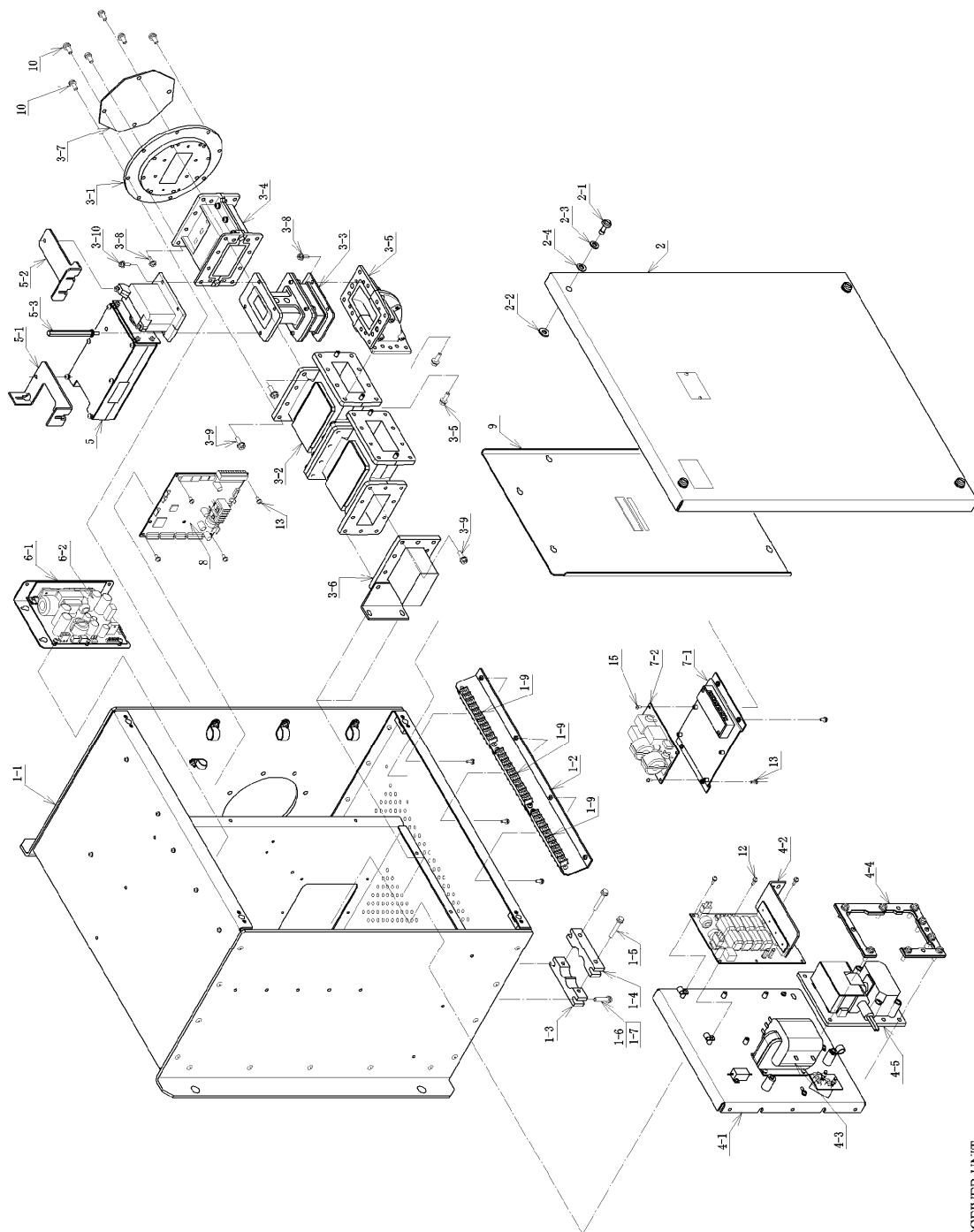
NTG-3225  
TRANSMITTER RECEIVER UNIT

SWNTG5177

## NTG-3230

No.	PARTS NAME	PRODUCT CODE	SERVICE CODE	NOTE
1	Chassis Assy.	MPBX44501		
1-1	Chassis	MPBC43175		
1-2	Bracket	MPBC38083		
1-3	Clamp	MTL305132		
1-4	Clamp	MTL305133		
1-5	Bolt	BRTG00930		B6X40 SUS304
1-6	Cross-recessed Head Screw	BSNB06035B		M6X35Bs SW W
1-7	Spring Washer	BSSW06000S		
1-9	Terminal Board	MPTE00753		
2	Cover Assy.	MPBC43178		
2-1	Thumb Screw	MPTG32003		
2-2	Nut	MTB089176		
2-3	Spring Washer	BRTG00747		SW8 SUS
2-4	Washer	BRTG00224		W8 SUS
3	Wave Guide Assy.	MPAB31661A		
3-1	Flange	MTC301710		
3-2	Circulator	-		
3-3	Diode Limiter	-		
3-4	Spurious Filter	MPAB31663		
3-5	Wave Guide CornerA	MPAB31664		
3-6	Dummy Load	MPAB31595		
3-7	Cover	MTB328936		
3-8	Upset Bolt	BRTG06626		M6X20 SUS304 SW W
3-9	Upset Bolt	BRTG07502		M5X16 SUS304 SW W
4	Modulator Unit	MDNMA5078A	NMA-553-1	
4-1	Chassis for Modulator	MPBC43180		
4-2	Modulator	MDLW11926	CPA-264 (MDLW11927)	
4-3	Pulse Transformer	-		
4-4	Clamping Plate for Magnetron	MPBP31522		
4-5	Magnetron	-	5VMAA00104	
5	Receiver Unit	MDNRG5092B	NRG-229	
5-1	Bracket for Receiver	MTB388395		

No.	PARTS NAME	PRODUCT CODE	SERVICE CODE	NOTE
5-2	Bracket for Receiver	MTB388396		
6	Power Supply Unit	MPBX44503		
6-1	Chassis for Power Supply	MPBC43181		
6-2	Power Supply PC	MDBW10837A	CBD-1682A	
7	Relay Unit	MPTE30365A		
7-1	Chassis for Relay	MPBC43023A		
7-2	Relay PC	-	CSC-656	
8	TR Control PC	-	CMC-1205R	
9	Cover	MTB390275		
10	Cross-recessed Head Screw	BSNC06016B		NC6X16Bs
11	Cross-recessed Head Screw	BSNC04012B		NC4X12Bs
12	Cross-recessed Head Screw	BSNC04010B		NC4X10Bs



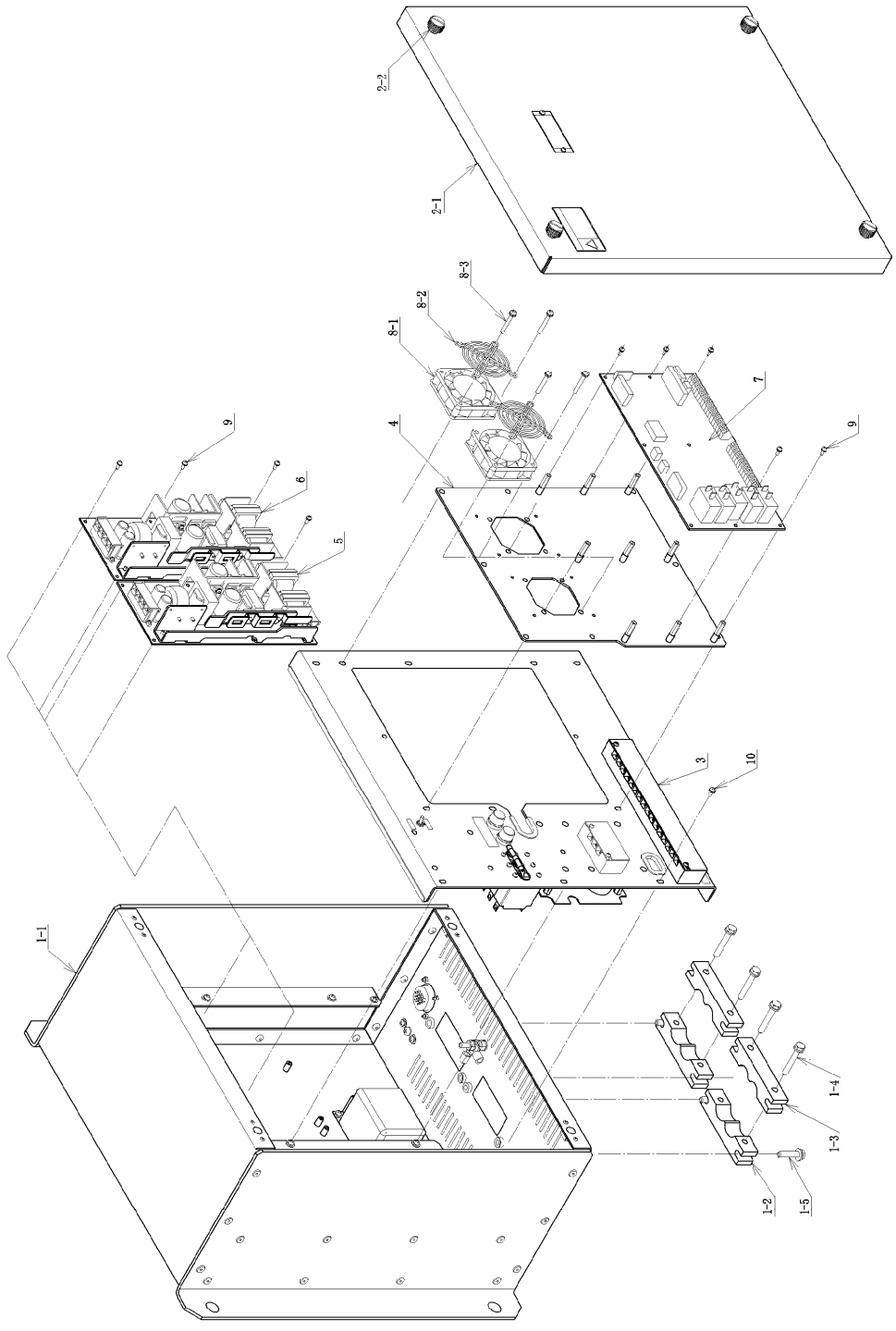
NTG-3230  
TRANSMITTER RECEIVER UNIT

Fig. 3.2.11 Exploded view of NTG-3230



## NQE-3167

No.	PARTS NAME	PRODUCT CODE	SERVICE CODE	NOTE
1	Chassis Assy.	MPBX43912		
1-1	Chassis	MPBC42355		
1-2	Clamp	MTL305132		
1-3	Clamp	MTL305133		
1-4	Bolt	BRTG00930		
1-5	Cross-recessed Head Screw	BSNB03060B		NB6X30Bs
2	Cover Assy.	MPBC41009		
2-1	Cover	MTB383852		
2-2	Thumb Screw	BRTG05973		TL-233-8 M6X15
3	Partition board Assy.	MPBC42360		
4	Inside board Assy.	MPBC42362A		
5	Power Supply for Modulator	-		LEP240F-48-T
6	Power Supply for Motor	-		LEP240F-24-T
7	Connected circuit PC	-	CQP-58	
8	Fan for Power Supply	-		
8-1	Fan	7BFRD00002		109P0612M601
8-2	Fan guard	-		
8-3	Cross-recessed Head Screw	BSNC04030B		NC4X30Bs
9	Cross-recessed Head Screw	BSNC03008B		NC3X8Bs
10	Cross-recessed Head Screw	BSNB04010B		NB4X10Bs



**Fig. 3.2.12 Exploded view of NQE-3167**

NQE-3167  
POWER CONTROL UNIT

SWINQE5080

## Display Unit (JMR-92xx / JAN-92xx)

No.	DESCRIPTION	DRAWING No. CODE	NOTE
1	MONITOR UNIT NWZ-208	-	
2	CROSS RECESSED HEAD SCREW WITH CAPTIVE WASHER M5X14SUS SW W BLACK	BRTG10239	
3	MONITOR COVER	MTB405535A	
4	CROSS RECESSED HEAD SCREW WITH CAPTIVE WASHER M3X8SUS SW W BLACK	BRTG10238	
5	TRACKBALL OPERATION UNIT NCE-5605	-	
6	CROSS RECESSED HEAD SCREW WITH CAPTIVE WASHER M5x10SUS SW W	BRTG03536	
7	SCREW COVER (L)	MTV305169	
8	KEYBOARD OPERATION UNIT NCE-5625	-	
9	SCREW COVER (U)	MTV305170	
10	CENTRAL CONTROL UNIT NDC-1590	-	
11	TABLE 26	MPBC48027	
12	POWER SUPPLY UNIT NBD-913	-	
13	CWB-1592	CWB-1592	
14	SENSOR LAN SWITCH UNIT NQA-2443	-	
15	UPS FILTER ME-MAX-NEF/QU INT20A	-	
16	ACDC PSU QUINT-PS/1AC/2 4DC/20	-	
17	DC UPS QUINT-DC-UPS/2 4DC/20	-	
18	UPS BATTERY QUINT-BAT/24DC /3.4AH	-	

No.	DESCRIPTION	DRAWING No. CODE	NOTE
19	CROSS RECESSED HEAD SCREW WITH CAPTIVE WASHER M4x10SUS SW W	BRTG03527	
20	LAN MOUNTING BLACKET	MPBX48433	
21	CROSS RECESSED HEAD SCREW WITH CAPTIVE WASHER M3X12FE SW W	BSNB03012R	
22	BLANK COVER (L)	MPBC48036	
23	BLANK COVER (L)	MPBC48037	
24	HEXAGON HEAD SCREW WITH CAPTIVE WASHER M5X14SUS SW W	BRTG09016	
25	FRONT COVER 26	MPBC48027	
26	REAR COVER	MPBC48436	
27	26INCH DISPLAY UNIT MOUNT KIT CWA-246	-	

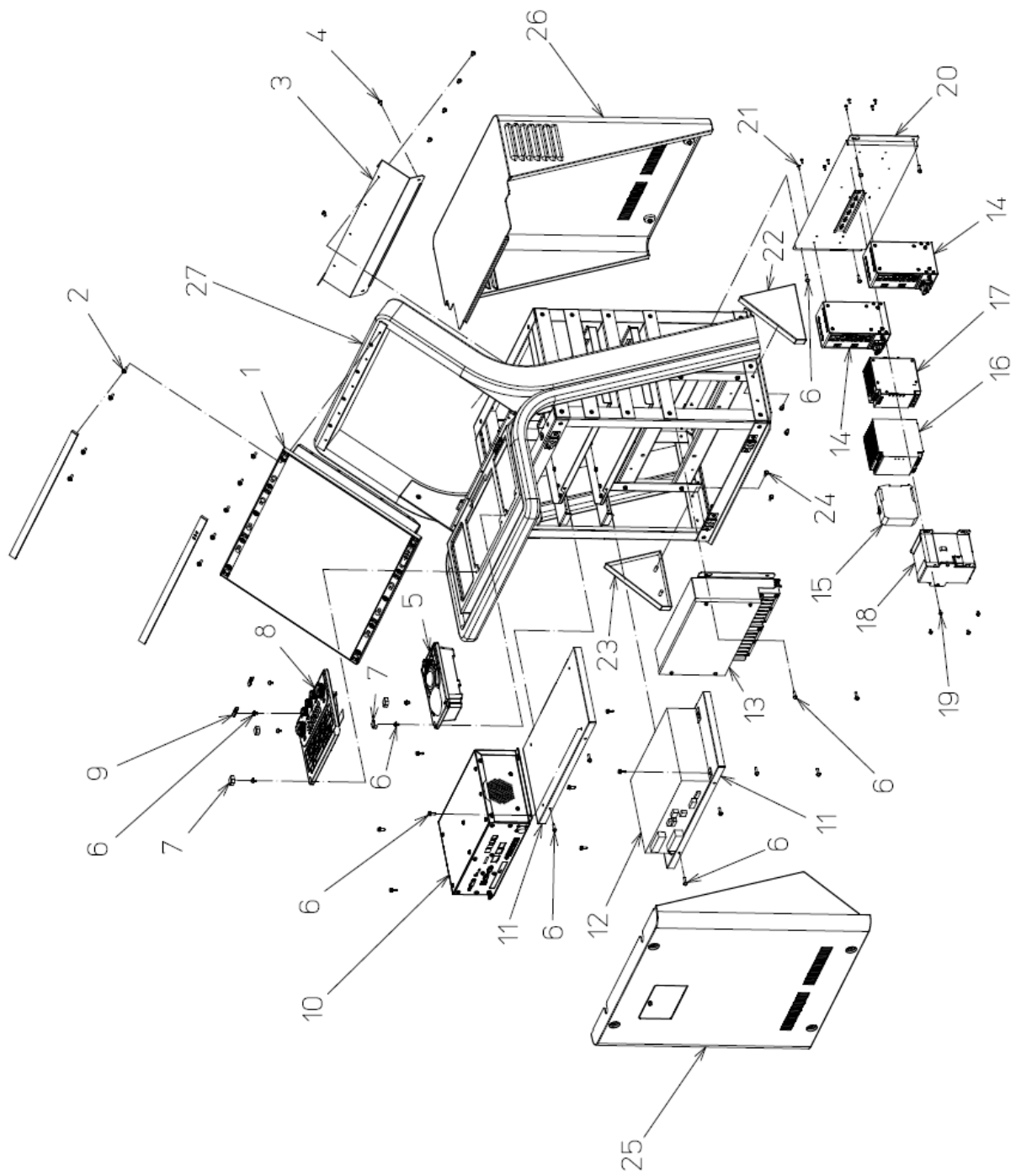


Fig. 3.2.13 Exploded view of JMR-92xx / JAN-92xx Display Unit

## Display Unit (JMR-72xx / JAN-72xx)

No.	DESCRIPTION		DRAWING No. CODE	NOTE
1	MONITOR UNIT	NWZ-208	-	
2	CROSS RECESSED HEAD SCREW WITH CAPTIVE WASHER	M5X14SUS SW W BLACK	BRTG10239	
3	MONITOR COVER		MTB405535A	
4	CROSS RECESSED HEAD SCREW WITH CAPTIVE WASHER	M3X8SUS SW W BLACK	BRTG10238	
5	TRACKBALL OPERATION UNIT	NCE-5605	-	
6	CROSS RECESSED HEAD SCREW WITH CAPTIVE WASHER	M5x10SUS SW W	BRTG03536	
7	SCREW COVER (L)		MTV305169	
8	KEYBOARD OPERATION UNIT	NCE-5625	-	
9	SCREW COVER (U)		MTV305170	
10	CENTRAL CONTROL UNIT	NDC-1590	-	
11	TABLE 26		MPBC48027	
12	POWER SUPPLY UNIT	NBD-913	-	
13	CWB-1592	CWB-1592	-	
14	SENSOR LAN SWITCH UNIT	NQA-2443	-	
15	UPS FILTER	ME-MAX-NEF/QU INT20A	-	
16	ACDC PSU	QUINT-PS/1AC/2 4DC/20	-	
17	DC UPS	QUINT-DC-UPS/2 4DC/20	-	
18	UPS BATTERY	QUINT-BAT/24D C/3.4AH	-	

No.	DESCRIPTION	DRAWING No. CODE	NOTE
19	CROSS RECESSED HEAD SCREW WITH CAPTIVE M4x10SUS SW W WASHER	BRTG03527	
20	LAN MOUNTING BLACKET	MPBX48441	
21	CROSS RECESSED HEAD SCREW WITH CAPTIVE M3X12FE SW W WASHER	BSNB03012R	
22	BLANK COVER (L)	MPBC48036	
23	BLANK COVER (L)	MPBC48037	
24	HEXAGON HEAD SCREW WITH CAPTIVE WASHER M5X14SUS SW W	BRTG09016	
25	FRONT COVER 19	MPBC48356	
26	REAR COVER	MPBC48357A	
27	19INCH DISPLAY UNIT MOUNT KIT CWA-246	-	

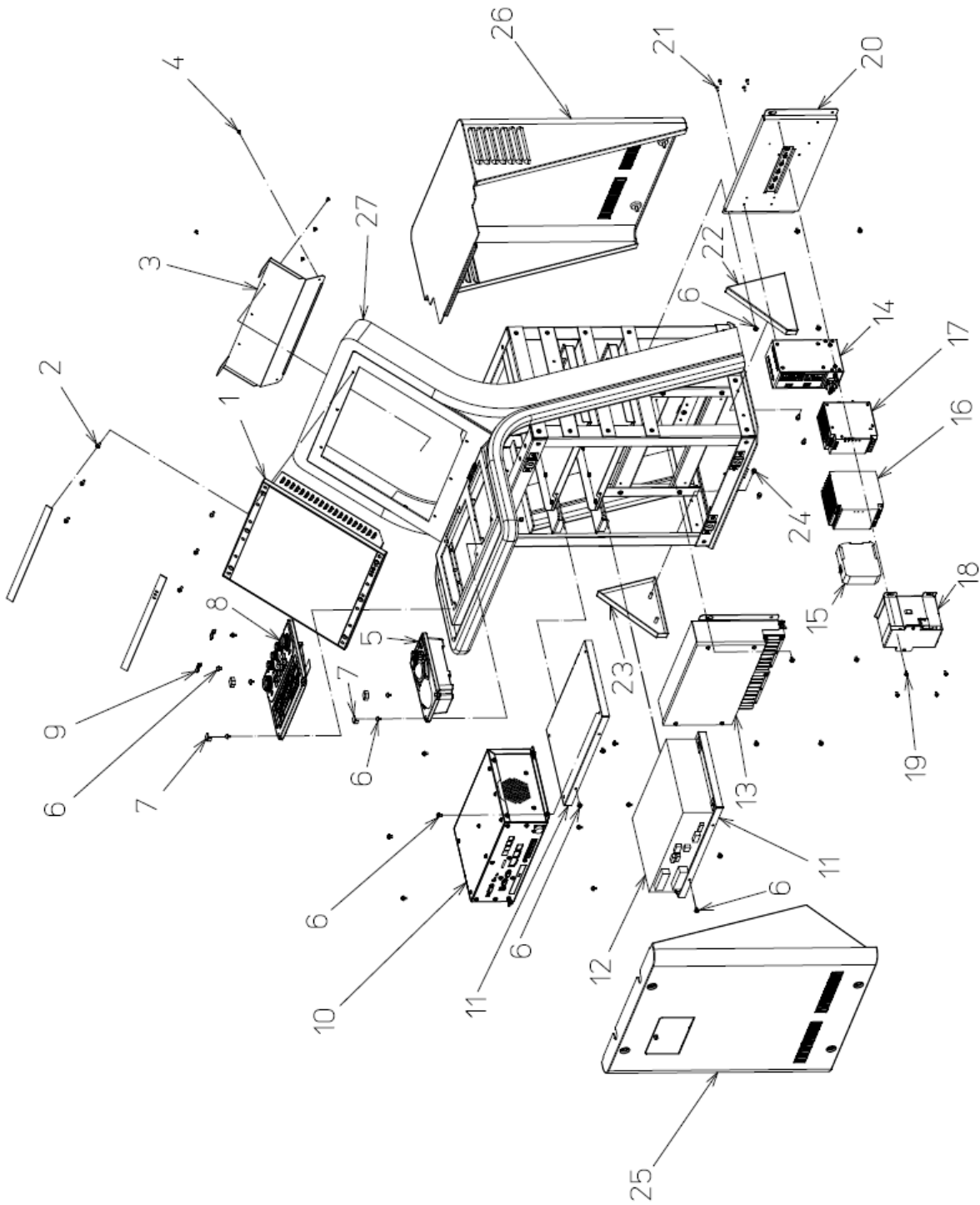


Fig. 3.2.14 Exploded view of JMR-72xx / JAN-72xx Display Unit