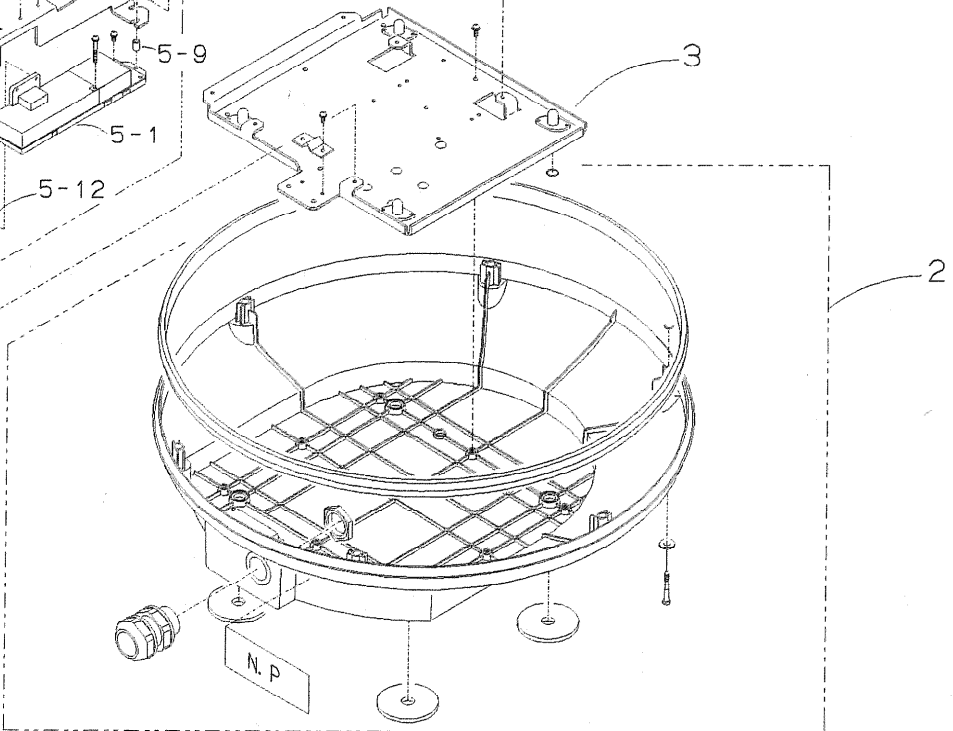
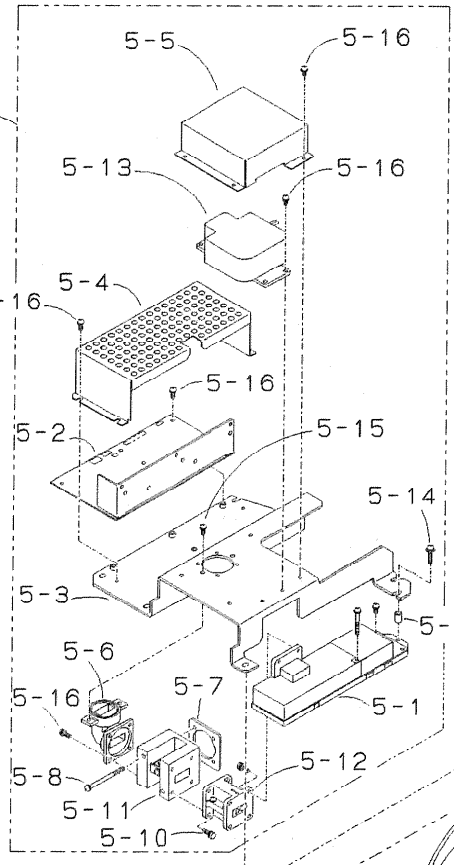
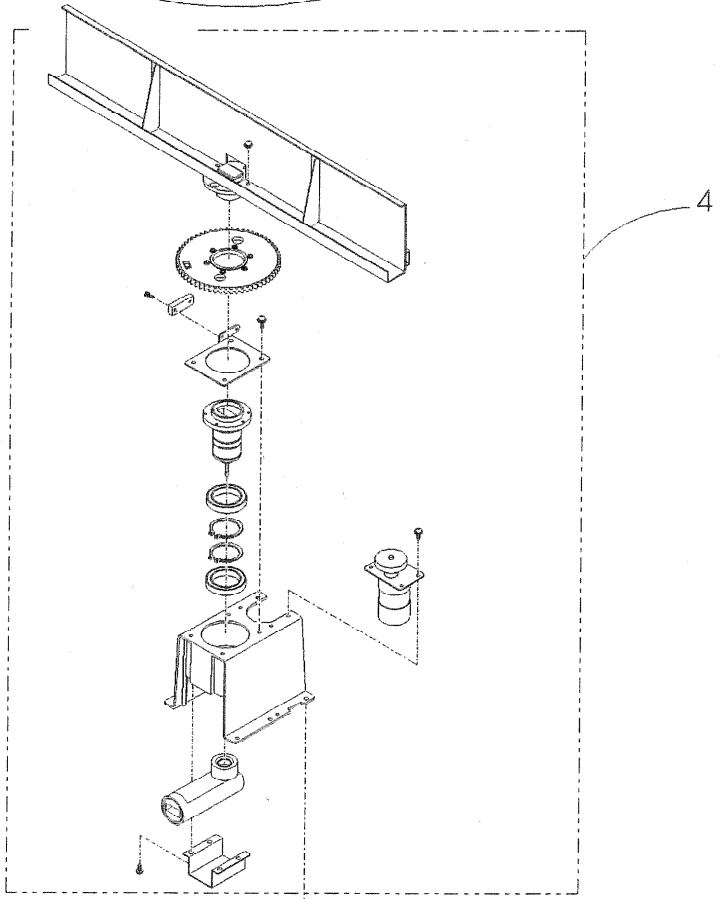
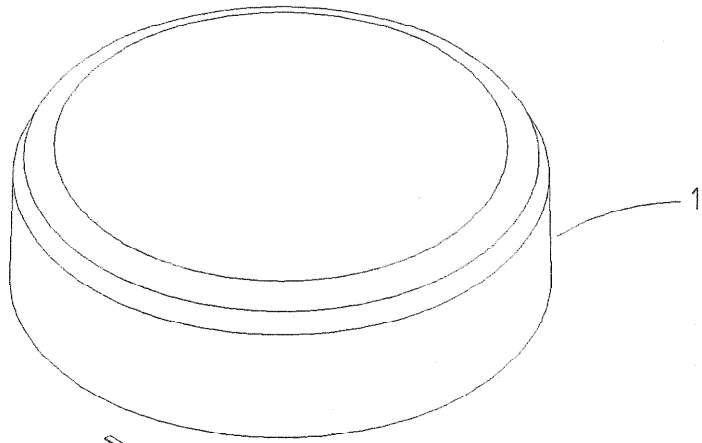


PARTS LIST  
SCANNER UNIT NKE-249

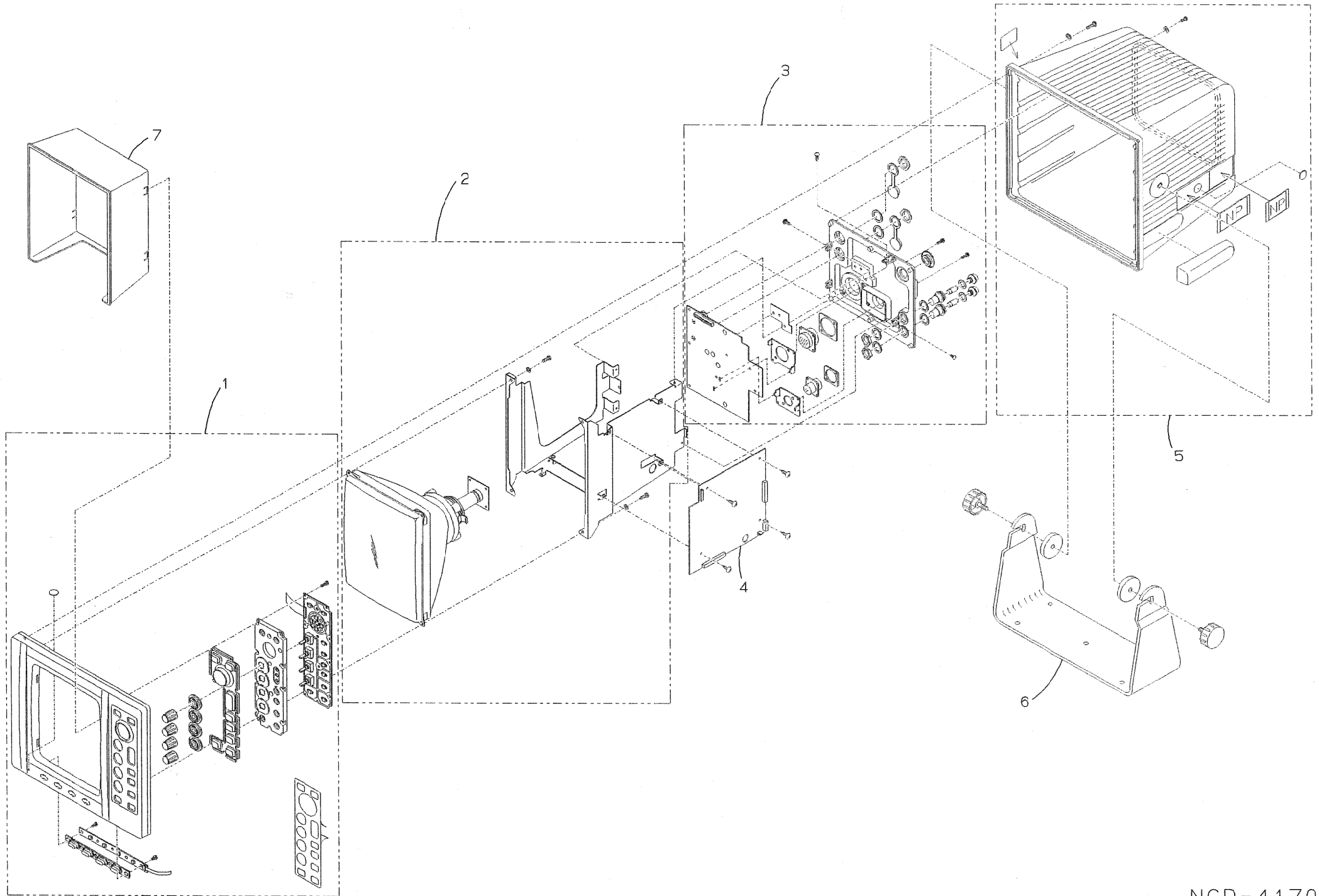
NO.	PART NAME	JRC CODE
1	UPPER RADOME ASSY.	MPBC36062A
2	LOWER RADOME ASSY.	MPBX39051
3	CHASSIS	MPBX39169
4	MAIN SHAFT ASSY.	MPGK30770
5	TRANSCEIVER UNIT	MDNZT5009
5-1	RECEIVER UNIT	MDNRG5052
5-2	MODULATOR UNIT	MDMW10790
5-3	CHASSIE	MPBX39034
5-4	COVER	MTB360476A
5-5	COVER	MTB360477B
5-6	CORNER WAVE GUIDE	MTM003700
5-7	GUIDE PLATE	MTB358269
5-8	SCREW	BRTG02029
5-9	SPACER	BRBP05094
5-10	BOLT	BRTG06852
5-11	CIRCULATOR	-
5-12	DIODE LIMITER	-
5-13	MAGNETRON	-
5-14	SCREW	BSNB04020B
5-15	SCREW	BSNA04010B
5-16	SCREW	BSNC04010B



NKE-249

PARTS LIST  
DISPLAY UNIT NCD-4170

NO.	PART NAME	JRC CODE
1	FRONT PANEL ASSY.	MPBC35692
2	MONITOR UNIT ASSY.	MPBC35699
3	BACK PANEL ASSY.	MPBC35698
4	CONTROL CIRCUIT UNIT	MPPC30126
5	COVER ASSY.	MPBX38781
6	BASE	MPBX38778
7	HOOD	MTV303344



PARTS LIST

		TITLE			SHEET N
		フクシヤフ	CTM-92		1/1
PART NO	PART NAME	TYPE	DESCRIPTION	CODE	
PC101	PCB	H-7PCRD0938		7PCRD0938	

5

10

15

20

25

30

35

PARTS LIST

		TITLE			SHEET N
		クウチュウモータ	CML-645		1/1
PART NO	PART NAME	TYPE	DESCRIPTION	CODE	
M101	MOTOR	H-7BDRD0023			7BDRD0023
MT101	MAGNET	SR-1 FM4.9X4.9X6			5MPAB0000
P205	コネクタ	IL-G-2S-S3C2-SA			5JWAD0052
PT205	タコシ	IL-G-C2-SC-0001	ハ"ラ		5JWAD0050
S102	RELAY	NRS-101-56			5KRAA0005

5

10

15

20

25

30

35

PARTS LIST

		TITLE			SHEET N
		ハジチヨウフキタイ	CNM-226		1/1
PART NO	PART NAME	TYPE	DESCRIPTION	CODE	
A101	CIRCULATOR	H-6AJRD00001	FCX68	FCX68	6AJRD0000
A102	ダイオードリミッタ	NJS6930			5EZAA0002
V101	MAGNETRON	MSF1421B			5VMAA0004
W1	TUBE	B4-6			116614000
W3	ケーブルアセンブリ	H-7ZCRD0772A			7ZCRD0772

5

10

15

20

25

30

35

## PARTS LIST

		TITLE		SHEET N
		MODULATOR_UNIT	CME-307	1/7
PART NO	PART NAME	TYPE	DESCRIPTION	CODE
C1	CAP,FXD CER	GRM32NR72A104KA01L		5CAAA0577
C2	CAP,FXD CER	GRM32NR72A104KA01L		5CAAA0577
C3	CAP,FXD CER	GRM32NR72A104KA01L		5CAAA0577
C4	CAP,FXD CER	GRM32NR72A104KA01L		5CAAA0577
5 C5	CAP,FXD ELCTLT	EEUFC1J470		5CEAA0476
C6	CAP,FXD ELCTLT	EEUFC1J182		5CEAA0505
C8	CAP,FXD ELCTLT	ECJ1VF1H104Z		5CEAU0016
C9	CAP,FXD ELCTLT	EEVHA1C100R	10U 16V	5CEAA0401
C10	CAP,FXD ELCTLT	EEVHA1C100R	10U 16V	5CEAA0401
10 C11	CAP,FXD ELCTLT	ECJ1VC1H101J		5CEAU0018
C12	CAP,FXD ELCTLT	ECJ1VB1H222K		5CEAU0017
C13	CAP,FXD CER	GRM55R2C2D472JY21L		5CAAA0577
C14	CAP,FXD ELCTLT	EEUFC1E470		5CEAA0474
C15	CAP,FXD ELCTLT	EEUFC1C332		5CEAA0505
15 C16	CAP,FXD ELCTLT	ECJ1VF1H104Z		5CEAU0016
C17	CAP,FXD ELCTLT	ECJ1VF1H104Z		5CEAU0016
C19	CAP,FXD ELCTLT	EEUFC1J470		5CEAA0476
C20	CAP,FXD ELCTLT	EEUEB2W100	10UF 450V	5CEAA0478
C21	CAP,FXD ELCTLT	EEUEB1E471		5CEAA0469
20 C22	CAP,FXD ELCTLT	ECJ1VF1H104Z		5CEAU0016
C23	CAP,FXD ELCTLT	EEUEB1C102		5CEAA0487
C24	CAP,FXD ELCTLT	ECJ1VF1H104Z		5CEAU0016
C25	CAP,FXD ELCTLT	EEUEB1C102		5CEAA0487
C26	CAP,FXD ELCTLT	ECJ1VF1H104Z		5CEAU0016
25 C27	CAP,FXD ELCTLT	EEUFC1C470	16V 47UF	5CEAA0488
C28	CAP,FXD ELCTLT	ECJ1VF1H104Z		5CEAU0016
C29	CAP,FXD ELCTLT	EEVHA1C100R	10U 16V	5CEAA0401
C30	CAP,FXD ELCTLT	ECJ1VB1H102K		5CEAU0017
C31	CAP,FXD ELCTLT	EEUFC1E470		5CEAA0474
30 C32	CAP,FXD ELCTLT	ECJ1VF1H104Z		5CEAU0016
C33	CAP,FXD ELCTLT	ECJ1VF1H104Z		5CEAU0016
C34	CAP,FXD ELCTLT	EEUFC1E221	220U 25V	5CEAA0416
C35	CAP,FXD ELCTLT	ECJ1VF1H104Z		5CEAU0016
C36	CAP,FXD PLSTC	ECQ-E6225KF		5CRAA0113
35 C37	CAP,FXD PLSTC	ECQ-E6225KF		5CRAA0113



## PARTS LIST

		TITLE			SHEET N
		MODULATOR_UNIT	CME-307		2/7
PART NO	PART NAME	TYPE	DESCRIPTION	CODE	
C38	CAP,FXD ELCTLT	ECJ1VF1H104Z		5CEAU0016	
C39	CAP,FXD ELCTLT	ECJ1VF1H104Z		5CEAU0016	
C40	CAP,FXD ELCTLT	ECJ1VF1H104Z		5CEAU0016	
C41	CAP,FXD PLSTC	ECQV1H104JL	50V 0.1UF	5CRAA0132	
C42	CAP,FXD ELCTLT	EEUFC1E470		5CEAA0474	
C43	CAP,FXD ELCTLT	ECJ1VF1H104Z		5CEAU0016	
C44	CAP,FXD ELCTLT	ECJ1VF1H104Z		5CEAU0016	
C46	CAP,FXD ELCTLT	ECJ1VF1H104Z		5CEAU0016	
C47	CAP,FXD ELCTLT	EEUFC1J470		5CEAA0476	
C48	CAP,FXD CER	GRM32NR72A104KA01L		5CAAA0577	
C49	CAP,FXD CER	GRM43R2C2A103JD01L		5CAAA0577	
C50	CAP,FXD ELCTLT	EEUFC1E470		5CEAA0474	
C51	CAP,FXD ELCTLT	ECJ1VC1H101J		5CEAU0018	
C52	CAP,FXD ELCTLT	ECJ1VC1H101J		5CEAU0018	
C53	CAP,FXD ELCTLT	ECJ1VC1H101J		5CEAU0018	
C54	CAP,FXD ELCTLT	ECJ1VF1H104Z		5CEAU0016	
C55	CAP,FXD ELCTLT	ECJ1VB1H222K		5CEAU0017	
C56	CAP,FXD ELCTLT	EEUEB2W100	10UF 450V	5CEAA0478	
C57	CAP,FXD ELCTLT	EEUEB1E471		5CEAA0469	
C58	CAP,FXD ELCTLT	ECJ1VF1H104Z		5CEAU0016	
C59	CAP,FXD ELCTLT	EEUFC1E470		5CEAA0474	
C60	CAP,FXD ELCTLT	ECJ1VF1H104Z		5CEAU0016	
C61	CAP,FXD ELCTLT	EEUFC1E470		5CEAA0474	
C62	CAP,FXD ELCTLT	ECJ1VF1H104Z		5CEAU0016	
C63	CAP,FXD ELCTLT	EEUFC1C470	16V 47UF	5CEAA0488	
C64	CAP,FXD ELCTLT	ECJ1VF1H104Z		5CEAU0016	
C65	CAP,FXD ELCTLT	ECJ1VB1H103K		5CEAU0019	
C66	CAP,FXD ELCTLT	EEVHA1C470P	47UF,16V	5CEAA0409	
C67	CAP,FXD ELCTLT	ECJ1VF1H104Z		5CEAU0016	
C68	CAP,FXD ELCTLT	EEVHA1C470P	47UF,16V	5CEAA0409	
C69	CAP,FXD ELCTLT	ECJ1VF1H104Z		5CEAU0016	
C70	CAP,FXD ELCTLT	EEUFC1E470		5CEAA0474	
C71	CAP,FXD ELCTLT	ECJ1VF1H104Z		5CEAU0016	
C72	CAP,FXD ELCTLT	ECJ1VB1H102K		5CEAU0017	
C80	CAP,FXD ELCTLT	EEUEB2W100	10UF 450V	5CEAA0478	

## PARTS LIST

		TITLE			SHEET N
		MODULATOR_UNIT	CME-307		3/7
PART NO	PART NAME	TYPE	DESCRIPTION	CODE	
C81	CAP,FXD ELCTLT	EEUEB2W100	10UF 450V	5CEAA0478	
CD1	DIODE	U05CTYPE2		5TXAE0098	
CD2	DIODE	CRZ15(TE85L)		5TXAD0109	
CD3	DIODE	10DL2CZ47A		5TXAD0108	
5 CD5	ダイオード	U2GWJ44-TE12L		5TZAD0083	
CD6	DIODE	FMU-G2FS		5TXAN0032	
CD7	ダイオード	U1DL44A-TE12L		5TZAD0075	
CD8	ダイオード	U2GWJ44-TE12L		5TZAD0083	
CD9	ダイオード	U2GWJ44-TE12L		5TZAD0083	
10 CD10	DIODE	1SS193-TE85L		5TXAD0042	
CD11	DIODE	1SS193-TE85L		5TXAD0042	
CD12	DIODE	U1BC44-TE12L		5TXAD0093	
CD13	DIODE	CRZ18(TE85L)		5TXAD0109	
CD14	DIODE	U05JTYPE2	800V 2.5A	5TXAE0081	
15 CD15	DIODE	1SS193-TE85L		5TXAD0042	
CD16	DIODE	HVR-1X-40B		5TXAN0024	
CD17	DIODE	CRZ13(TE85L)		5TXAD0109	
CD19	DIODE	U1BC44-TE12L		5TXAD0093	
CD20	DIODE	U1BC44-TE12L		5TXAD0093	
20 CD21	DIODE	CRZ13(TE85L)		5TXAD0109	
CD22	DIODE	CRZ15(TE85L)		5TXAD0109	
CD23	DIODE	16DL2CZ47A		5TXAD0076	
CD24	DIODE	1SS193-TE85L		5TXAD0042	
CD25	DIODE	FMU-G2FS		5TXAN0032	
25 CD26	DIODE	CRZ15(TE85L)		5TXAD0109	
CD27	DIODE	O15AZ10-Y(TPL3)		5TXAD0108	
CD28	ダイオード	U1DL44A-TE12L		5TZAD0075	
CD29	ダイオード	U2GWJ44-TE12L		5TZAD0083	
CD30	DIODE	CRZ13(TE85L)		5TXAD0109	
30 IC1	IC	UPC494G-T1		5DAAA0074	
IC2	IC	UPC494G-T1		5DAAA0074	
IC3	IC	TLP181(GB-TPL)		5DZAD0045	
IC4	IC	TC4069UBF_EL_N		5DDAE0344	
IC5	IC	NJM7812FA		5DVAJ0000	
35 IC6	IC	TL431CLP		5DDAL0064	

## PARTS LIST

		TITLE		SHEET N
		MODULATOR_UNIT	CME-307	4/7
PART NO	PART NAME	TYPE	DESCRIPTION	CODE
J201	CONNECTOR	350209-1		5JWAH0012
J202	コネクタ	IL-G-5P-S3T2-SA		5JWAD0045
J203	コネクタ	IL-G14P-S3T2-SA		5JWAD0076
J205	コネクタ	IL-G-2P-S3T2-SA		5JWAD0071
J206	CONNECTOR	B5P-SHF-1AA		5JWAP0013
5				
JP3	コネクタ	68907-003	3Pキコメツキ	5JWBE0024
K1	RELAY	JE1AXN-DC12V-H		5KLAD0131
L1	COIL	H-7LCRD0055		7LCRD0055
L3	COIL	LHL10NB221K		5LCAA0120
L4	チヨ-クコイル	FK-050C-2020		5LGBF0000
10				
L5	チヨ-クコイル	H-7LZRD0117		7LZRD0117
L6	コイル	HK-14D120-4810F		5LZPC0000
L7	COIL	LAL05NA150K	1A 15UH	5LCAA0099
L8	COIL	LAL04NA100K	10UF	5LCAA0019
L9	COIL	LAL04NA100K	10UF	5LCAA0019
15				
PC201	PCB	H-7PCRD1605D		7PCRD1605
PD201	ポリコトハツ	H-7PDRD0135D		7PDRD0135
R1	RESISTOR FXD	ERJ1WYJ222U		5REAH0002
R2	RESISTOR FXD	ERJ1WYJ222U		5REAH0002
R3	RESISTOR FXD	ERJ-6GEYJ103V	1/10W 10K OHM	5REAG0201
20				
R4	RESISTOR FXD	ERJ-6GEYJ472V	1/10W 4.7K OHM	5REAG0182
R5	RESISTOR FXD	ERJ-6GEYJ472V	1/10W 4.7K OHM	5REAG0182
R6	RESISTOR FXD	ERJ-6GEYJ472V	1/10W 4.7K OHM	5REAG0182
R7	RESISTOR FXD	ERJ-6GEYJ222V	1/10W 2.2K OHM	5REAG0201
R8	RESISTOR FXD	ERJ-6GEYJ222V	1/10W 2.2K OHM	5REAG0201
25				
R9	RESISTOR FXD	ERJ-6GEYJ123V	1/10W 12K OHM	5REAG0200
R10	RESISTOR FXD	ERJ1TYJ471U		5REAG0700
R11	RESISTOR FXD	ERJ12YJ4R7U	1/2W 4.7 OHM	5REAH0006
R13	RESISTOR FXD	ERJ1TYJ150U		5REAG0700
R14	RESISTOR FXD	ERJ-6GEYJ102V	1/10W 1K OHM	5REAG0181
30				
R15	RESISTOR FXD	ERJ-6GEYJ104V	1/10W 100K OHM	5REAG0202
R17	RESISTOR FXD	ERJ-6GEYJ123V	1/10W 12K OHM	5REAG0200
R18	RESISTOR FXD	ERJ-12YJ121U	1/2W 120 OHM	5REAG0609
R19	RESISTOR FXD	ERJ-12YJ121U	1/2W 120 OHM	5REAG0609
R20	RESISTOR FXD	ERG-3SJ104		5REAG0415
35				

PARTS LIST

		TITLE			SHEET N
		MODULATOR_UNIT	CME-307		5/7
PART NO	PART NAME	TYPE	DESCRIPTION	CODE	
R22	RESISTOR FXD	ERJ-6GEYJ431V	430 OHM 1/10W	5REAG0227	
R23	RESISTOR FXD	ERJ-6GEYJ392V	3.9K OHM 1/10W	5REAG0201	
R24	RESISTOR FXD	ERJ-6GEYJ102V	1/10W 1K OHM	5REAG0181	
R25	RESISTOR FXD	ERJ-6GEYJ222V	1/10W 2.2K OHM	5REAG0201	
5 R28	RESISTOR FXD	ERJ-6GEYJ223V	22K OHM ,1/10W	5REAG0181	
R29	RESISTOR FXD	ERJ-6GEYJ103V	1/10W 10K OHM	5REAG0201	
R30	RESISTOR FXD	ERJ-6GEYJ472V	1/10W 4.7K OHM	5REAG0182	
R31	RESISTOR FXD	ERJ-6GEYJ152V	1/10W 1.5K OHM	5REAG0182	
R32	RESISTOR FXD	ERJ-6GEYJ152V	1/10W 1.5K OHM	5REAG0182	
10 R33	RESISTOR FXD	ERJ-6GEYJ821V	1/10W 820 OHM	5REAG0182	
R34	RESISTOR FXD	ERJ-6GEYJ470V	47 OHM 1/10W	5REAG0201	
R35	RESISTOR FXD	ERJ-6GEYJ101V	1/10W 100 OHM	5REAG0185	
R36	RESISTOR FXD	ERJ12YJ680U		5REAG0633	
R37	RESISTOR FXD	ERJ-6GEYJ103V	1/10W 10K OHM	5REAG0201	
15 R38	RESISTOR FXD	ERJ-6GEYJ472V	1/10W 4.7K OHM	5REAG0182	
R39	RESISTOR FXD	ERJ12YJ470U		5REAG0633	
R40	RESISTOR FXD	ERG-2SJ101	100 OHM 2W	5REAG0321	
R41	RESISTOR FXD	ERX-2SJ3R6P	2W 3.6 OHM	5REAG0152	
R42	RESISTOR FXD	ERJ-6GEYJ5R6V	1/10W 5.6 OHM	5REAG0233	
20 R43	RESISTOR FXD	ERJ-6GEYJ151V	1/10W 150 OHM	5REAG0233	
R44	RESISTOR FXD	ERG-2SJ102		5REAG0432	
R46	RESISTOR FXD	ERJ-6GEYJ472V	1/10W 4.7K OHM	5REAG0182	
R47	RESISTOR FXD	ERJ-6GEYJ472V	1/10W 4.7K OHM	5REAG0182	
R48	RESISTOR FXD	ERJ-6GEYJ470V	47 OHM 1/10W	5REAG0201	
25 R49	RESISTOR FXD	ERJ-6GEYJ471V	470 OHM ,1/10W	5REAG0182	
R50	RESISTOR FXD	ERJ-14YJ121U	120 OHM 1/4W	5REAG0622	
R51	RESISTOR FXD	ERJ-6GEYJ472V	1/10W 4.7K OHM	5REAG0182	
R52	RESISTOR FXD	ERJ-6GEYJ472V	1/10W 4.7K OHM	5REAG0182	
R54	RESISTOR FXD	ERJ-6GEYJ472V	1/10W 4.7K OHM	5REAG0182	
30 R55	RESISTOR FXD	ERJ-6GEYJ472V	1/10W 4.7K OHM	5REAG0182	
R56	RESISTOR FXD	ERJ12YJ103U		5REAG0625	
R57	RESISTOR FXD	ERJ-6GEYJ222V	1/10W 2.2K OHM	5REAG0201	
R58	RESISTOR FXD	ERF10ZXK1R0	1.10W	5RHAC0017	
R59	RESISTOR FXD	ERG-2SJ100	2W 10 OHM	5REAG0140	
35 R60	RESISTOR FXD	ERJ-6GEYJ102V	1/10W 1K OHM	5REAG0181	

## PARTS LIST

		TITLE		SHEET N	
		MODULATOR_UNIT	CME-307	6/7	
PART NO	PART NAME	TYPE	DESCRIPTION	CODE	
R61	RESISTOR FXD	ERJ-6GEYJ471V	470 OHM ,1/10W	5REAG0182	
R62	RESISTOR FXD	ERJ-6GEYJ472V	1/10W 4.7K OHM	5REAG0182	
R63	RESISTOR FXD	ERJ-6GEYJ472V	1/10W 4.7K OHM	5REAG0182	
R64	RESISTOR FXD	ERJ-6GEYJ333V	1/10W 33K OHM	5REAG0167	
R65	RESISTOR FXD	ERJ-12YJ332U	1/2W 3.3K	5REAG0654	
R66	RESISTOR FXD	ERJ-6GEYJ470V	47 OHM 1/10W	5REAG0201	
R67	RESISTOR FXD	ERJ-6GEYJ470V	47 OHM 1/10W	5REAG0201	
R68	RESISTOR FXD	ERJ-6GEYJ222V	1/10W 2.2K OHM	5REAG0201	
R69	RESISTOR FXD	ERJ-6GEYJ103V	1/10W 10K OHM	5REAG0201	
R70	RESISTOR FXD	ERJ-6GEYJ472V	1/10W 4.7K OHM	5REAG0182	
R71	RESISTOR FXD	ERJ-6GEYJ391V	1/10W 390 OHM	5REAG0185	
R72	RESISTOR FXD	ERJ-6GEYJ471V	470 OHM ,1/10W	5REAG0182	
R76				6ZZAB1000	
R78	RESISTOR FXD	ERJ-6GEYJ220V	22 OHM 1/10W	5REAG0190	
R79	RESISTOR FXD	ERJ1TYJ150U		5REAG0700	
R80	RESISTOR FXD	ERJ1TYJ150U		5REAG0700	
R81	RESISTOR FXD	ERJ-6GEYJ222V	1/10W 2.2K OHM	5REAG0201	
R83	RESISTOR FXD	ERJ-14YJ121U	120 OHM 1/4W	5REAG0622	
R90	RESISTOR FXD	ERJ-6GEYJ331V	1/10W 330 OHM	5REAG0182	
R91	RESISTOR FXD	ERJ-6GEYJ103V	1/10W 10K OHM	5REAG0201	
RV1	RESISTOR	CT-6TV200 OHM (201)		5RZAY0008	
RV2	RESISTOR	CT-6TV1K OHM (102)	1K OHM	5RZAY0007	
T1	TRANSFORMER	H-7LTRD0241		7LTRD0241	
T2	PULSE XFMR	H-7LPRD0116		7LPRD0116	
TP1	TERMINAL	LC-2-G ORN	LC-2-G	5JTCW0001	
TR1	TRANSISTOR	2SK2995		5TKAA0036	
TR2	TRANSISTOR	2SC3074Y-TE16R		5TCAF0108	
TR3	TRANSISTOR	2SA1244YTE16L		5TAAG0039	
TR4	TRANSISTOR	2SK2312		5TKAA0036	
TR5	TRANSISTOR	2SK2312		5TKAA0036	
TR7	TRANSISTOR	2SA1162-YTE85L		5TAAG0018	
TR8	TRANSISTOR	2SA1162-YTE85L		5TAAG0018	
TR9	TRANSISTOR	2SC2712Y TE85L		5TAAG0018	
TR10	TRANSISTOR	2SA1162-YTE85L		5TAAG0018	
TR11	TRANSISTOR	2SC3074Y-TE16R		5TCAF0108	

## PARTS LIST

		TITLE		SHEET N
		MODULATOR_UNIT	CME-307	7/7
PART NO	PART NAME	TYPE	DESCRIPTION	CODE
TR12	TRANSISTOR	2SA1244YTE16L		5TAAG0039
TR13	TRANSISTOR	2SK2837		5TKAA0036
TR14	TRANSISTOR	2SC2712Y TE85L		5TAAG0018
TR15	TRANSISTOR	2SC2712Y TE85L		5TAAG0018
TR16	TRANSISTOR	2SC4541-TE12L		5TCAF0108
5				
TR17	TRANSISTOR	2SC2881Y-TE12L		5TCAF0052
TR18	TRANSISTOR	2SJ464		5TJAA0004
TR19	TRANSISTOR	2SK2995		5TKAA0036
TR20	TRANSISTOR	2SC2712Y TE85L		5TAAG0018
TR21	TRANSISTOR	2SC2712Y TE85L		5TAAG0018
10				
TR22	TRANSISTOR	2SA1162-YTE85L		5TAAG0018
TR23	TRANSISTOR	2SC2881Y-TE12L		5TCAF0052
TR24	TRANSISTOR	2SC2881Y-TE12L		5TCAF0052
TRS1	ホウネツシート	H-7ZKRD0051		7ZKRD0051
TRS3	SHEET	M-30-D-3		5ZKBG0001
15				
TRS4	ホウネツシート	SPV-0.5-015030		5ZKJN0000
TRS5	ホウネツシート	SPV-0.5-015020		5ZKJN0000
TRS6	ホウネツシート	SPV-0.5-010015		5ZKJN0000
TRS7	ホウネツシート	GP1-4.0-010030		5ZKJN0000

20

25

30

35

PARTS LIST

		TITLE			SHEET N
		シミュレーション機	CMA-822		1/1
PART NO	PART NAME	TYPE	DESCRIPTION	CODE	
E101	フロントインタ	NJT-1028		5EZA0003	

5

10

15

20

25

30

35

## PARTS LIST

		TITLE			SHEET N
		シミュラツフ		CAE-457	1/10
PART NO	PART NAME	TYPE	DESCRIPTION	CODE	
C1	CAP,FXD ELCTLT	ECJ1VF1H104Z		5CEAU0016	
C2	CAP,FXD ELCTLT	ECJ1VF1H104Z		5CEAU0016	
C3	CAP,FXD ELCTLT	EEVHA1C100R	10U 16V	5CEAA0401	
C4	CAP,FXD ELCTLT	ECJ1VF1H104Z		5CEAU0016	
C5	CAP,FXD ELCTLT	ECJ1VF1H104Z		5CEAU0016	
5					
C6	CAP,FXD ELCTLT	ECJ1VF1H104Z		5CEAU0016	
C9	CAP,FXD ELCTLT	ECJ1VB1H222K		5CEAU0017	
C10	CAP,FXD ELCTLT	ECJ1VB1H222K		5CEAU0017	
C11	CAP,FXD ELCTLT	ECJ1VC1H100D		5CEAU0018	
C12	CAP,FXD ELCTLT	ECJ1VB1H222K		5CEAU0017	
10					
C13	CAP,FXD ELCTLT	EEVHA1C100R	10U 16V	5CEAA0401	
C14	CAP,FXD ELCTLT	ECJ1VB1H222K		5CEAU0017	
C15	CAP,FXD ELCTLT	ECJ1VB1H222K		5CEAU0017	
C16	CAP,FXD ELCTLT	EEVHA1C100R	10U 16V	5CEAA0401	
C17	CAP,FXD ELCTLT	ECJ1VB1H222K		5CEAU0017	
15					
C18	CAP,FXD ELCTLT	ECJ1VB1H222K		5CEAU0017	
C19	CAP,FXD ELCTLT	ECJ1VC1H330J		5CEAU0018	
C20	CAP,FXD ELCTLT	ECJ1VC1H330J		5CEAU0018	
C21	CAP,FXD ELCTLT	EEVHA1C100R	10U 16V	5CEAA0401	
C22	CAP,FXD ELCTLT	ECJ1VB1H222K		5CEAU0017	
20					
C23	CAP,FXD ELCTLT	ECJ1VB1H222K		5CEAU0017	
C24	CAP,FXD ELCTLT	ECJ1VC1H050C		5CEAU0019	
C26	CAP,FXD ELCTLT	ECJ1VC1H180J		5CEAU0018	
C27	CAP,FXD ELCTLT	ECJ1VC1H050C		5CEAU0019	
C29	CAP,FXD ELCTLT	ECJ1VB1H222K		5CEAU0017	
25					
C30	CAP,FXD ELCTLT	ECJ1VB1H222K		5CEAU0017	
C31	CAP,FXD ELCTLT	ECJ1VB1H222K		5CEAU0017	
C32	CAP,FXD ELCTLT	ECJ1VB1H222K		5CEAU0017	
C33	CAP,FXD ELCTLT	ECJ1VB1H222K		5CEAU0017	
C34	CAP,FXD ELCTLT	ECJ1VB1H222K		5CEAU0017	
30					
C35	CAP,FXD ELCTLT	EEVHA1C100R	10U 16V	5CEAA0401	
C36	CAP,FXD ELCTLT	ECJ1VB1H222K		5CEAU0017	
C37	CAP,FXD ELCTLT	ECJ1VC1H100D		5CEAU0018	
C38	CAP,FXD ELCTLT	ECJ1VB1H222K		5CEAU0017	
C39	CAP,FXD ELCTLT	ECJ1VB1H222K		5CEAU0017	
35					





## PARTS LIST

		TITLE			SHEET N
		シミュシフ	CAE-457		3/10
PART NO	PART NAME	TYPE	DESCRIPTION	CODE	
C79	CAP,FXD ELCTLT	EEVHA1C100R	10U 16V	5CEAA0401	
C80	CAP,FXD ELCTLT	EEVHA1E4R7R		5CEAA0409	
C81	CAP,FXD ELCTLT	ECJ1VB1H222K		5CEAU0017	
C82	CAP,FXD ELCTLT	EEVHA1C470P	47UF,16V	5CEAA0409	
5 C83	CAP,FXD ELCTLT	ECJ1VF1H104Z		5CEAU0016	
C84	CAP,FXD ELCTLT	ECJ1VF1H104Z		5CEAU0016	
C85	CAP,FXD ELCTLT	EEVHA1C100R	10U 16V	5CEAA0401	
C86	CAP,FXD CER	GRM21BR11C224KA01L		5CAAA0593	
C87	CAP,FXD ELCTLT	ECJ1VF1H104Z		5CEAU0016	
10 C88	CAP,FXD ELCTLT	ECJ1VF1H104Z		5CEAU0016	
C89	CAP,FXD CER	GRM39F105Z10PT		5CAAA0478	
C90	CAP,FXD ELCTLT	ECJ1VF1H104Z		5CEAU0016	
C91	CAP,FXD ELCTLT	ECJ1VF1H104Z		5CEAU0016	
C92	CAP,FXD ELCTLT	ECJ1VF1H104Z		5CEAU0016	
15 C93	CAP,FXD ELCTLT	ECJ1VF1H104Z		5CEAU0016	
C94	CAP,FXD ELCTLT	ECJ1VF1H104Z		5CEAU0016	
C95	CAP,FXD ELCTLT	EEVHA1E4R7R		5CEAA0409	
C96	CAP,FXD ELCTLT	ECJ1VB1H103K		5CEAU0019	
C97	CAP,FXD ELCTLT	EEVHA1H100P		5CEAA0447	
20 C98	CAP,FXD CER	GRM32RF11H105ZA01L		5CAAA0594	
C99	CAP,FXD ELCTLT	ECJ1VF1H104Z		5CEAU0016	
C100	CAP,FXD ELCTLT	ECJ1VF1H104Z		5CEAU0016	
C101	CAP,FXD CER	GRM39F105Z10PT		5CAAA0478	
C102	CAP,FXD ELCTLT	EEVHA1C100R	10U 16V	5CEAA0401	
25 C103	CAP,FXD ELCTLT	ECJ1VF1H104Z		5CEAU0016	
C104	CAP,FXD ELCTLT	ECJ1VF1H104Z		5CEAU0016	
C105	CAP,FXD ELCTLT	EEVHA1C100R	10U 16V	5CEAA0401	
C106	CAP,FXD ELCTLT	ECJ1VB1H222K		5CEAU0017	
C108	CAP,FXD ELCTLT	ECJ1VB1H222K		5CEAU0017	
30 C109	CAP,FXD ELCTLT	ECJ1VC1H100D		5CEAU0018	
C110	CAP,FXD ELCTLT	ECJ1VC1H101J		5CEAU0018	
C111	CAP,FXD ELCTLT	EEVHA1E4R7R		5CEAA0409	
C112	CAP,FXD ELCTLT	ECJ1VF1H104Z		5CEAU0016	
C113	CAP,FXD ELCTLT	ECJ1VB1H102K		5CEAU0017	
35 C120	CAP,FXD ELCTLT	EEVHA1C100R	10U 16V	5CEAA0401	

## PARTS LIST

		TITLE			SHEET N
		5" 1337"		CAE-457	4/10
PART NO	PART NAME	TYPE	DESCRIPTION	CODE	
C121	CAP,FXD ELCTLT	EEVHA1C100R	10U 16V	5CEAA0401	
C122	CAP,FXD ELCTLT	EEVHA1C100R	10U 16V	5CEAA0401	
C123	CAP,FXD ELCTLT	ECJ1VF1H104Z		5CEAU0016	
C124	CAP,FXD ELCTLT	ECJ1VC1H271J		5CEAU0027	
C125	CAP,FXD ELCTLT	ECJ1VF1H104Z		5CEAU0016	
5					
CD1	DIODE	HSM107S-TL		5TXAE0075	
CD2	DIODE	1SS226 TE85L		5TXAD0032	
CD4	DIODE	1SS226 TE85L		5TXAD0032	
CD5	DIODE	1SS226 TE85L		5TXAD0032	
CD6	DIODE	1SS226 TE85L		5TXAD0032	
10					
CD8	DIODE	1SS226 TE85L		5TXAD0032	
CD9	DIODE	1SS226 TE85L		5TXAD0032	
CD10	DIODE	HSM107S-TL		5TXAE0075	
CD11	DIODE	1SV269-TPH2		5TXAD0112	
CD12	DIODE	1SV277-TPH3		5TXAD0090	
15					
CD13	DIODE	1SS226 TE85L		5TXAD0032	
CD14	DIODE	1SS226 TE85L		5TXAD0032	
CD15	DIODE	1SS226 TE85L		5TXAD0032	
CD16	DIODE	1SS226 TE85L		5TXAD0032	
CD18	DIODE	1SS226 TE85L		5TXAD0032	
20					
CD19	DIODE	CRZ13(TE85L)		5TXAD0109	
CD20	DIODE	SB05-05CP-TB		5TXAW0003	
IC1	IC	JRM051M-TE1		5DDAU0051	
IC2	IC	JRM051M-TE1		5DDAU0051	
IC3	IC	JRM051M-TE1		5DDAU0051	
25					
IC4	IC	HD64F3664FP		5DAAG0146	
IC5	IC	S-80844CNNB-B85-T2		5DZBX0022	
IC6	IC	NJM78M05DL1A(TE1)		5DAAN0096	
IC7	IC	SN75176BPSR		5DDAL0341	
IC8	IC	NJM2902V(TE1)		5DAAN0069	
30					
IC9	IC	TK11840LTL		5DZAS0013	
IC10	IC	LM358PSR		5DDAL0377	
IC11	IC	MB88347PFV-G-BND-EF		5DDAT0133	
IC12	IC	TLP181(GB-TPL)		5DZAD0045	
IC13	IC	TLP181(GB-TPL)		5DZAD0045	
35					

## PARTS LIST

		TITLE		SHEET N
		5" 557"	CAE-457	5/10
PART NO	PART NAME	TYPE	DESCRIPTION	CODE
IC15	IC	TC7S00FU-TE85L		5DDAE0257
IC16	IC	S-93C46AFJ-TB		5DDIG0000
IC17	IC	TL082CPSR		5DDAL0341
IC18	IC	SN75176BPSR		5DDAL0341
J2	CONNECTOR	IL-S-5P-S2T2-EF		5JWAD0014
J301	CONNECTOR	IL-S-13P-S2T2-EF		5JWAD0014
J302	コネクタ	IL-G-4P-S3T2-SA		5JWAD0053
L1	COIL	NL322522T-R39J	390NH	5LCAC0139
L2	COIL	NL322522T-R39J	390NH	5LCAC0139
L3	COIL	NL322522T-R39J	390NH	5LCAC0139
L4	COIL	NL322522T-R10J	0.1UH	5LCAC0107
L5	COIL	NL322522T-R39J	390NH	5LCAC0139
L7	COIL	NL322522T-330J	33U	5LCAC0166
L8	コイル	A915BY-221M=P3		5LZND0000
L9	COIL	NL322522T-R39J	390NH	5LCAC0139
L10	COIL	NL322522T-R39J	390NH	5LCAC0139
L11	COIL	ELJ-FC100KF	10UH	5LAAH0010
L12	COIL	ELJ-FC100KF	10UH	5LAAH0010
L13	COIL	ELJ-FC100KF	10UH	5LAAH0010
L14	COIL	ELJ-FC100KF	10UH	5LAAH0010
L15	COIL	NL322522T-R10J	0.1UH	5LCAC0107
L16	COIL	ELJ-FC100KF	10UH	5LAAH0010
L17	COIL	ELJ-FC100KF	10UH	5LAAH0010
L18	COIL	ELJ-FC100KF	10UH	5LAAH0010
PC301	PCB	H-7PCRD1607D	7PDRD0137D	7PCRD1607
PD301	7°リットパッド	H-7PDRD0137D	7PCRD1607D 2ヶ	7PDRD0137
R1	RESISTOR FXD	ERJ-6GEYJ103V	1/10W 10K OHM	5REAG0201
R2	RESISTOR FXD	ERJ14YJ220U	1/4W 22 OHM	5REAG0606
R3	RESISTOR FXD	ERJ14YJ220U	1/4W 22 OHM	5REAG0606
R4	RESISTOR FXD	ERJ-6GEYJ473V	47K OHM ,1/10W	5REAG0233
R5	RESISTOR FXD	ERJ-6GEYJ102V	1/10W 1K OHM	5REAG0181
R7	RESISTOR FXD	ERJ-6GEYJ222V	1/10W 2.2K OHM	5REAG0201
R8	RESISTOR FXD	ERJ-6GEYJ222V	1/10W 2.2K OHM	5REAG0201
R9	RESISTOR FXD	ERJ-6GEYJ221V	1/10W 220 OHM	5REAG0182
R10	RESISTOR FXD	ERJ-6GEYJ511V	1/10W 510 OHM	5REAG0272

## PARTS LIST

		TITLE			SHEET N
		5" 1557"		CAE-457	6/10
PART NO	PART NAME	TYPE	DESCRIPTION	CODE	
R11	RESISTOR FXD	ERJ-6GEYJ220V	22 OHM 1/10W	5REAG0190	
R12	RESISTOR FXD	ERJ-6GEYJ271V	1/10W 270 OHM	5REAG0190	
R13	RESISTOR FXD	ERJ-6GEYJ470V	47 OHM 1/10W	5REAG0201	
R14	RESISTOR FXD	ERJ-6GEYJ222V	1/10W 2.2K OHM	5REAG0201	
5 R15	RESISTOR FXD	ERJ-6GEYJ222V	1/10W 2.2K OHM	5REAG0201	
R16	RESISTOR FXD	ERJ-6GEYJ271V	1/10W 270 OHM	5REAG0190	
R17	RESISTOR FXD	ERJ-6GEYJ470V	47 OHM 1/10W	5REAG0201	
R18	RESISTOR FXD	ERJ-6GEYJ271V	1/10W 270 OHM	5REAG0190	
R19	RESISTOR FXD	ERJ-6GEYJ103V	1/10W 10K OHM	5REAG0201	
10 R20	RESISTOR FXD	ERJ-6GEYJ102V	1/10W 1K OHM	5REAG0181	
R21	RESISTOR FXD	ERJ-6GEYJ103V	1/10W 10K OHM	5REAG0201	
R22	RESISTOR FXD	ERJ-6GEYJ103V	1/10W 10K OHM	5REAG0201	
R23	RESISTOR	NTCG163EH101KT		5RZBX0003	
R24	RESISTOR FXD	ERJ-6GEYJ106V	1/10, 10M OHM	5REAG0598	
15 R25	RESISTOR FXD	ERJ-6GEYJ103V	1/10W 10K OHM	5REAG0201	
R26	RESISTOR FXD	ERJ-6GEYJ103V	1/10W 10K OHM	5REAG0201	
R27	RESISTOR	NTCG163NH102KT		5RZBX0003	
R28	RESISTOR FXD	ERJ-6GEYJ103V	1/10W 10K OHM	5REAG0201	
R30	RESISTOR FXD	ERJ-6GEYJ103V	1/10W 10K OHM	5REAG0201	
20 R31	RESISTOR FXD	ERJ-6GEYJ681V	680 OHM , 1/10W	5REAG0181	
R32	RESISTOR FXD	ERJ-6GEYJ103V	1/10W 10K OHM	5REAG0201	
R33	RESISTOR FXD	ERJ-6GEYJ221V	1/10W 220 OHM	5REAG0182	
R34	RESISTOR FXD	ERJ-6GEYJ103V	1/10W 10K OHM	5REAG0201	
R35	RESISTOR FXD	ERJ-6GEYJ472V	1/10W 4.7K OHM	5REAG0182	
25 R36	RESISTOR FXD	ERJ-6GEYJ102V	1/10W 1K OHM	5REAG0181	
R37	RESISTOR FXD	ERJ-6GEYJ222V	1/10W 2.2K OHM	5REAG0201	
R38	RESISTOR FXD	ERJ-6GEYJ222V	1/10W 2.2K OHM	5REAG0201	
R39	RESISTOR FXD	ERJ-6GEYJ271V	1/10W 270 OHM	5REAG0190	
R40	RESISTOR FXD	ERJ-6GEYJ220V	22 OHM 1/10W	5REAG0190	
30 R41	RESISTOR FXD	ERJ-6GEYJ221V	1/10W 220 OHM	5REAG0182	
R42	RESISTOR FXD	ERJ-6GEYJ220V	22 OHM 1/10W	5REAG0190	
R49	RESISTOR FXD	ERJ-6GEYJ103V	1/10W 10K OHM	5REAG0201	
R50	RESISTOR FXD	ERJ-8GEYJ331V	1/8W 330 OHM	5REAG0173	
R51	RESISTOR FXD	ERJ-6GEYJ222V	1/10W 2.2K OHM	5REAG0201	
35 R52	RESISTOR FXD	ERJ-6GEYJ222V	1/10W 2.2K OHM	5REAG0201	

## PARTS LIST

		TITLE			SHEET N
		5" ユニオン"		CAE-457	7/10
PART NO	PART NAME	TYPE	DESCRIPTION	CODE	
R53	RESISTOR FXD	ERJ-6GEYJ221V	1/10W 220 OHM	5REAG0182	
R54	RESISTOR FXD	ERJ-6GEYJ221V	1/10W 220 OHM	5REAG0182	
R55	RESISTOR FXD	ERJ-6GEYJ103V	1/10W 10K OHM	5REAG0201	
R56	RESISTOR FXD	ERJ-6GEYJ472V	1/10W 4.7K OHM	5REAG0182	
5 R57	RESISTOR FXD	ERJ-6GEYJ222V	1/10W 2.2K OHM	5REAG0201	
R58	RESISTOR FXD	ERJ-6GEYJ473V	47K OHM ,1/10W	5REAG0233	
R59	RESISTOR FXD	ERJ-6GEYJ220V	22 OHM 1/10W	5REAG0190	
R60	RESISTOR FXD	ERJ-6GEYJ103V	1/10W 10K OHM	5REAG0201	
R61	RESISTOR FXD	ERJ-6GEYJ470V	47 OHM 1/10W	5REAG0201	
10 R62	RESISTOR FXD	ERJ-6GEYJ222V	1/10W 2.2K OHM	5REAG0201	
R63	RESISTOR FXD	ERJ-6GEYJ102V	1/10W 1K OHM	5REAG0181	
R66	RESISTOR FXD	ERJ14YJ220U	1/4W 22 OHM	5REAG0606	
R67	RESISTOR FXD	ERJ-8GEYJ221V	1/8W 220 OHM	5REAG0173	
R68	RESISTOR FXD	ERJ-8GEYJ221V	1/8W 220 OHM	5REAG0173	
15 R69	RESISTOR FXD	ERJ-8GEYJ221V	1/8W 220 OHM	5REAG0173	
R71	RESISTOR FXD	ERJ-8GEYJ221V	1/8W 220 OHM	5REAG0173	
R72	RESISTOR FXD	ERJ-8GEYJ221V	1/8W 220 OHM	5REAG0173	
R73	RESISTOR FXD	ERJ-8GEYJ221V	1/8W 220 OHM	5REAG0173	
R76	RESISTOR FXD	ERJ-8GEYJ221V	1/8W 220 OHM	5REAG0173	
20 R77	RESISTOR FXD	ERJ-8GEYJ221V	1/8W 220 OHM	5REAG0173	
R78	RESISTOR FXD	ERJ-8GEYJ221V	1/8W 220 OHM	5REAG0173	
R80	RESISTOR FXD	ERJ-6GEYJ221V	1/10W 220 OHM	5REAG0182	
R81	RESISTOR FXD	ERJ-6GEYJ221V	1/10W 220 OHM	5REAG0182	
R82	RESISTOR FXD	ERJ-6GEYJ221V	1/10W 220 OHM	5REAG0182	
25 R83	RESISTOR FXD	ERJ-6GEYJ221V	1/10W 220 OHM	5REAG0182	
R84	RESISTOR FXD	ERJ-6GEYJ221V	1/10W 220 OHM	5REAG0182	
R85	RESISTOR FXD	ERJ-6GEYJ221V	1/10W 220 OHM	5REAG0182	
R86	RESISTOR FXD	ERJ-6GEYJ221V	1/10W 220 OHM	5REAG0182	
R87	RESISTOR FXD	ERJ-6GEYJ221V	1/10W 220 OHM	5REAG0182	
30 R88	RESISTOR FXD	ERJ-6GEYJ221V	1/10W 220 OHM	5REAG0182	
R89	RESISTOR FXD	ERJ-6GEYJ681V	680 OHM ,1/10W	5REAG0181	
R90	RESISTOR FXD	ERJ-6GEYJ102V	1/10W 1K OHM	5REAG0181	
R91	RESISTOR FXD	ERJ-6GEYJ220V	22 OHM 1/10W	5REAG0190	
R92	RESISTOR FXD	ERJ-6GEYJ561V	1/10W 560 OHM	5REAG0181	
35 R94	RESISTOR FXD	ERJ-6GEYJ222V	1/10W 2.2K OHM	5REAG0201	

## PARTS LIST

		TITLE			SHEET N
		CAE-457			8/10
PART NO	PART NAME	TYPE	DESCRIPTION	CODE	
R95	RESISTOR FXD	ERJ-6GEYJ222V	1/10W 2.2K OHM	5REAG0201	
R96	RESISTOR FXD	ERJ-6GEYJ100V	1/10W 10 OHM	5REAG0233	
R97	RESISTOR FXD	ERJ-6GEYJ220V	22 OHM 1/10W	5REAG0190	
R98	RESISTOR FXD	ERJ-6GEYJ105V	1/10W 1M OHM	5REAG0227	
R99	RESISTOR FXD	ERJ-6GEYJ103V	1/10W 10K OHM	5REAG0201	
R100	RESISTOR FXD	ERJ-6GEY0R00V	1/10W 0 OHM	5REAG0185	
R101	RESISTOR FXD	ERJ-6GEYJ470V	47 OHM 1/10W	5REAG0201	
R102	RESISTOR FXD	ERJ-6GEYJ471V	470 OHM ,1/10W	5REAG0182	
R103	RESISTOR FXD	ERJ-6GEYJ471V	470 OHM ,1/10W	5REAG0182	
R104	RESISTOR FXD	ERJ-6GEYJ564V	1/10W 560K OHM	5REAG0260	
R105	RESISTOR FXD	ERJ-6GEYJ180V	18 OHM ,1/10W	5REAG0190	
R106	RESISTOR FXD	ERJ-6GEYJ333V	1/10W 33K OHM	5REAG0167	
R107	RESISTOR FXD	ERJ-6GEYJ822V	1/10W 8.2K OHM	5REAG0201	
R108	RESISTOR FXD	ERJ-6GEYJ822V	1/10W 8.2K OHM	5REAG0201	
R109	RESISTOR FXD	ERJ-6GEYJ332V	3.3K OHM ,1/10W	5REAG0226	
R110	RESISTOR FXD	ERJ12YJ471U		5REAG0621	
R111	RESISTOR FXD	ERJ-6GEYJ103V	1/10W 10K OHM	5REAG0201	
R112	RESISTOR FXD	ERJ-6GEYJ222V	1/10W 2.2K OHM	5REAG0201	
R113	RESISTOR FXD	ERJ-6GEYJ103V	1/10W 10K OHM	5REAG0201	
R114	RESISTOR FXD	ERJ-6GEYJ103V	1/10W 10K OHM	5REAG0201	
R115	RESISTOR FXD	ERJ-6GEYJ103V	1/10W 10K OHM	5REAG0201	
R118	RESISTOR FXD	ERJ-6GEYJ103V	1/10W 10K OHM	5REAG0201	
R119	RESISTOR FXD	ERJ-6GEYJ103V	1/10W 10K OHM	5REAG0201	
R120	RESISTOR FXD	ERJ-6GEYJ333V	1/10W 33K OHM	5REAG0167	
R122	RESISTOR FXD	ERJ-6GEYJ102V	1/10W 1K OHM	5REAG0181	
R123	RESISTOR FXD	ERJ-6GEYJ101V	1/10W 100 OHM	5REAG0185	
R124	RESISTOR FXD	ERJ-6GEYJ101V	1/10W 100 OHM	5REAG0185	
R125	RESISTOR FXD	ERJ-6GEYJ101V	1/10W 100 OHM	5REAG0185	
R126	RESISTOR FXD	ERJ-6GEYJ222V	1/10W 2.2K OHM	5REAG0201	
R127	RESISTOR FXD	ERJ-6GEYJ222V	1/10W 2.2K OHM	5REAG0201	
R128	RESISTOR FXD	ERJ-6GEYJ221V	1/10W 220 OHM	5REAG0182	
R129	RESISTOR FXD	ERJ-6GEYJ220V	22 OHM 1/10W	5REAG0190	
R130	RESISTOR FXD	ERJ-6GEYJ470V	47 OHM 1/10W	5REAG0201	
R131	RESISTOR FXD	ERJ-6GEYJ103V	1/10W 10K OHM	5REAG0201	
R132	RESISTOR FXD	ERJ-6GEY0R00V	1/10W 0 OHM	5REAG0185	

## PARTS LIST

		TITLE			SHEET N
		シミュシフ	CAE-457		9/10
PART NO	PART NAME	TYPE	DESCRIPTION	CODE	
R133	RESISTOR FXD	ERJ-6GEY0R00V	1/10W 0 OHM	5REAG0185	
R134	RESISTOR FXD	ERJ-6GEYJ332V	3.3K OHM ,1/10W	5REAG0226	
R135	RESISTOR FXD	ERJ-6GEYJ332V	3.3K OHM ,1/10W	5REAG0226	
R136	RESISTOR FXD	ERJ-6GEYJ102V	1/10W 1K OHM	5REAG0181	
R137	RESISTOR FXD	ERJ-6GEYJ470V	47 OHM 1/10W	5REAG0201	
R138	RESISTOR FXD	ERJ-6GEYJ222V	1/10W 2.2K OHM	5REAG0201	
R139	RESISTOR FXD	ERJ-6GEYJ102V	1/10W 1K OHM	5REAG0181	
R140	RESISTOR FXD	ERJ-6GEYJ681V	680 OHM ,1/10W	5REAG0181	
R141	RESISTOR FXD	ERJ-6GEYJ103V	1/10W 10K OHM	5REAG0201	
R142	RESISTOR FXD	ERJ-6GEYJ103V	1/10W 10K OHM	5REAG0201	
R143	RESISTOR FXD	ERJ-6GEYJ103V	1/10W 10K OHM	5REAG0201	
R144	RESISTOR FXD	ERJ-6GEYJ102V	1/10W 1K OHM	5REAG0181	
R145	RESISTOR FXD	ERJ-6GEYJ822V	1/10W 8.2K OHM	5REAG0201	
R146	RESISTOR FXD	ERJ-6GEYJ302V		5REAG0283	
R147	RESISTOR FXD	ERJ-6GEYJ331V	1/10W 330 OHM	5REAG0182	
T2	COIL	H-7LARD0123		7LARD0123	
T3	COIL	H-7LARD0123		7LARD0123	
T4	COIL	H-7LARD0113A		7LARD0113	
TR1	TRANSISTOR	RN2422-TE85L		5TZAD0052	
TR2	TRANSISTOR	RN1301-TE85L		5TCAF0109	
TR3	TRANSISTOR	2SC3356-T1B		5TCAB0028	
TR4	TRANSISTOR	2SC3356-T1B		5TCAB0028	
TR5	TRANSISTOR	2SC3356-T1B		5TCAB0028	
TR6	TRANSISTOR	2SC3356-T1B		5TCAB0028	
TR8	TRANSISTOR	2SC3098-TE85L		5TCAF0052	
TR9	TRANSISTOR	2SK302-GRTE85L		5TKAA0022	
TR10	TRANSISTOR	2SA1162-YTE85L		5TAAG0018	
TR12	TRANSISTOR	2SC2712Y TE85L		5TAAG0018	
TR13	TRANSISTOR	2SC2712Y TE85L		5TAAG0018	
TR14	TRANSISTOR	2SC2712Y TE85L		5TAAG0018	
TR15	TRANSISTOR	2SA1162-YTE85L		5TAAG0018	
TR16	TRANSISTOR	RN1301-TE85L		5TCAF0109	
TR17	TRANSISTOR	RN1301-TE85L		5TCAF0109	
TR18	TRANSISTOR	RN1301-TE85L		5TCAF0109	
TR19	TRANSISTOR	RN1301-TE85L		5TCAF0109	



PARTS LIST

		TITLE			SHEET N
		5" 1507"	CAE-457		10/10
PART NO	PART NAME	TYPE	DESCRIPTION	CODE	
TR20	TRANSISTOR	2SC2712Y TE85L		5TAAG0018	
TR21	TRANSISTOR	CPH3205-TL		5TCBC0011	
X1	CRYSTAL CKT	CSTCC9M83G53-R0		5XMAM0001	

5

10

15

20

25

30

35

PARTS LIST

		TITLE		SHEET N
		部品番号	CML-646	1/1
PART NO	PART NAME	TYPE	DESCRIPTION	CODE
A401	モータ	H-7WZRD0041		7WZRD0041
F1	ヒューズ	SB3.15	125V 3.15A	5ZFAD0038
F2	ヒューズ	SB5	5.2mmX20 125V5A	5ZFAD0036
FS1	ヒューズホルダ	FH043A		5ZFAN0002
FS2	ヒューズホルダ	FH043A		5ZFAN0002
P4	CONNECTOR	LTWD-08BFFA-L180		5JCAS0002
W1	ケーブル	H-7ZCRD0745		7ZCRD0745
W2	ケーブル	H-7ZCRD0746		7ZCRD0746
W3	ケーブル	H-7ZCRD0747		7ZCRD0747
W4	ケーブル	H-7ZCRD0765		7ZCRD0765
ZJ3	ダストキャップ	LTD-4/8-A	PVC 20	BRKP05023
ZJ4	ダストキャップ	LTD-4/8-A	PVC 20	BRKP05023

5

10

15

20

25

30

35