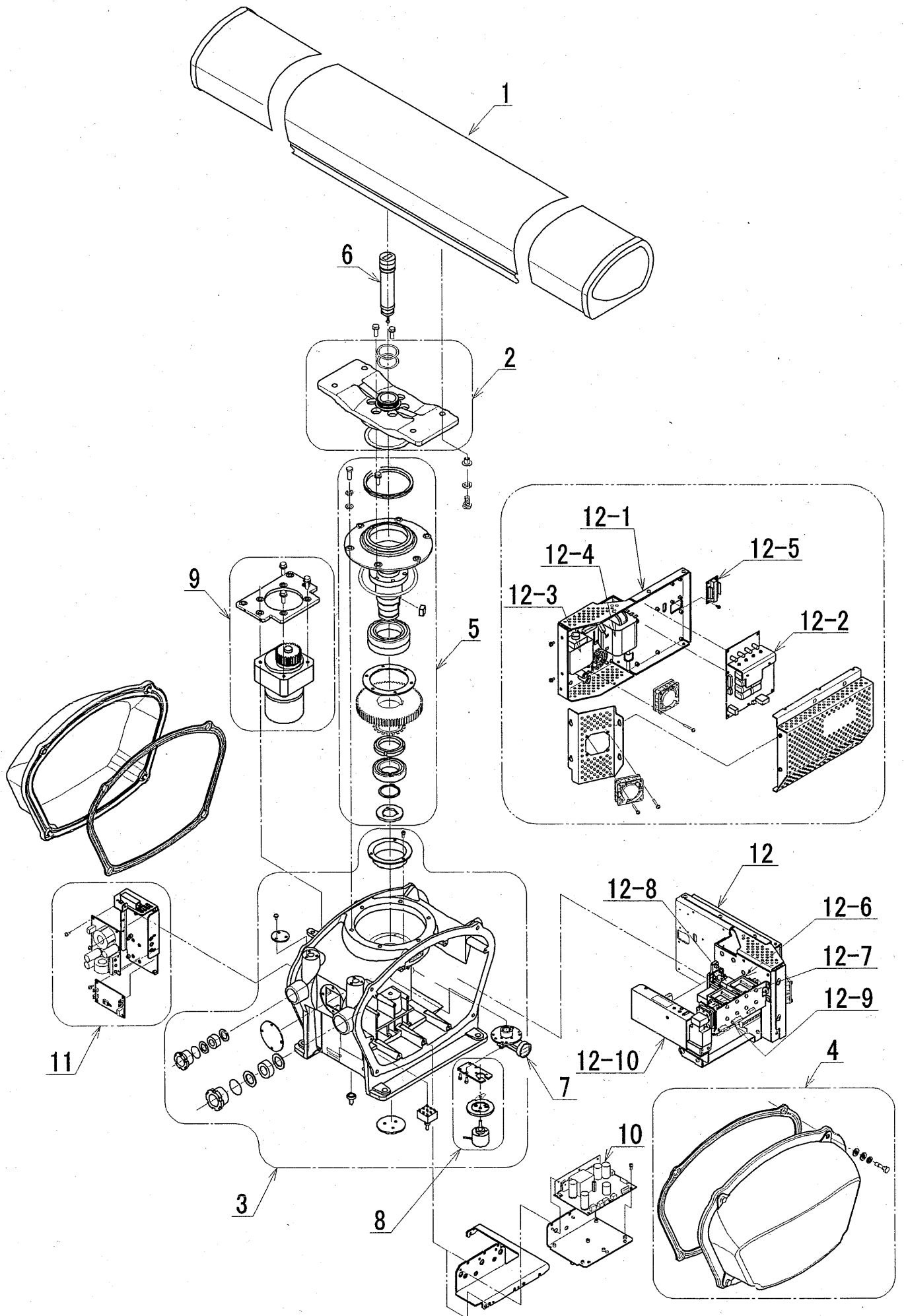


PARTS LIST
SCANNER UNIT NKE-2252

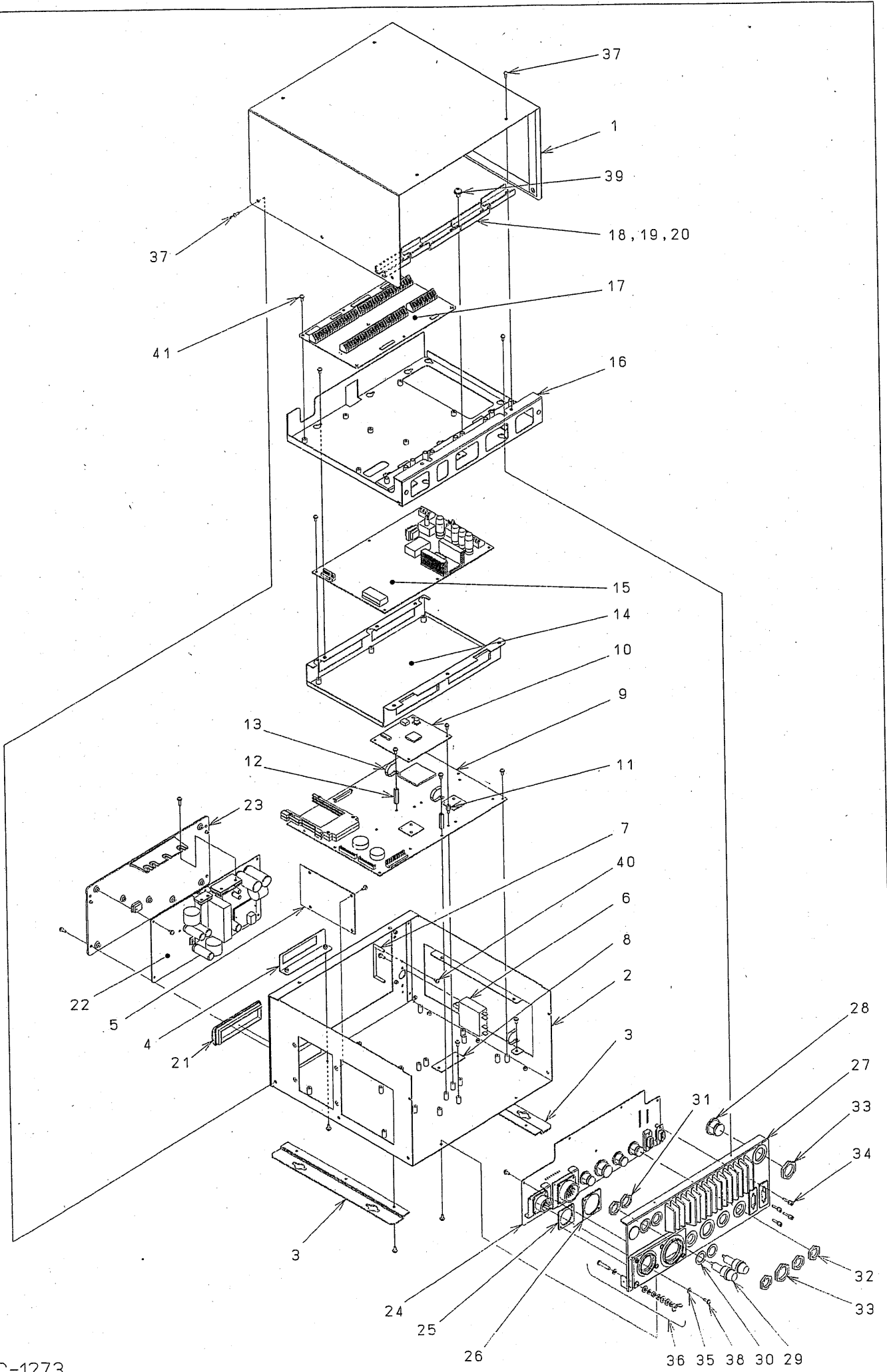
No.	PART NAME	JRC CODE
1	Radiator Assy.	
2	Support Assy.	MPBX40223
3	Housing Assy.	MPBX40967
4	Cover Assy.	MPBX40947
5	Drive Assy.	MPGK30895A
6	Rotary Joint Assy.	MPAB31188
7	Wave Guide	MPAB31207
8	Encoder Assy.	MPEM30156
9	DC-Motor Assy.	MPEM30166
10	Power Supply Unit	MPBX40945
11	Motor Control Assy.	MPBX41017
12	Tranceiver Assy.	MDNZT5017
12-1	Main Chassis	MPBX40950
12-2	Modulator PC	MDLW11518A
12-3	Magnetoron	—
12-4	Pulse Transformer	—
12-5	Filter PC	MDNW10415
12-6	Circulator	—
12-7	Diord Limiter	—
12-8	Spurious Filter	MPAB31230A
12-9	TR-Control PC	—
12-10	Receiver Assy.	MDNRG5065B



NKE-2252
SCANNER UNIT

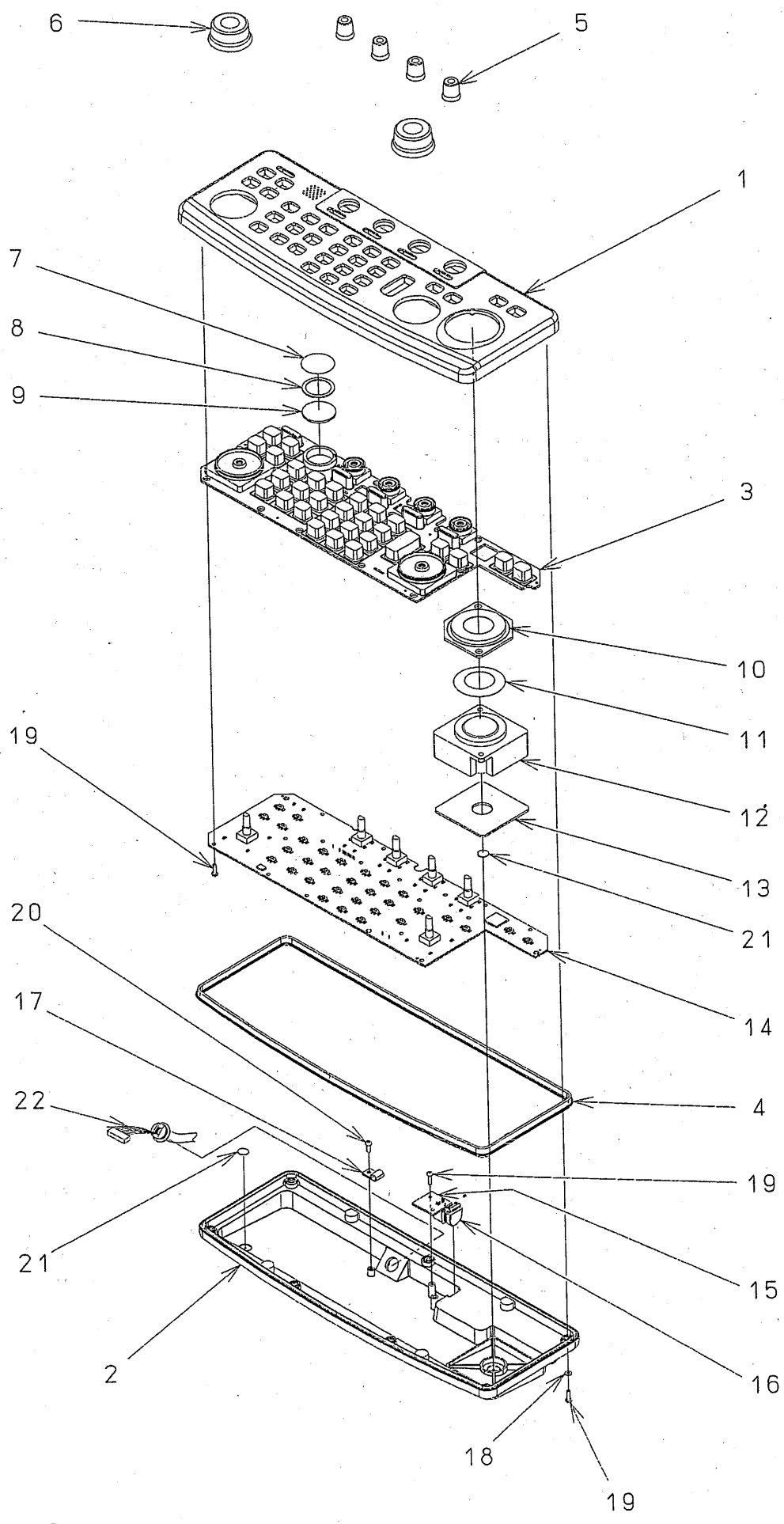
**PARTS LIST
PROCESSING UNIT
NDC-1273**

No.	PARTS NAME	JRC CODE	NOTE
1	Cover Assy	MPBC37568	
2	Chassis Assy	MPBC40345A	
3	Bracket	MTB369222	
4	Rear Panel	MPBC37573	
5	AIS Unit (NQA-4250)	—	Option
6	Breaker	—	
7	Guard Handle	BRHD05138	
8	Plotter Unit (NDB-34)	—	Option
9	Contrl Unit (CDC-1198)	—	
10	ARPA Unit (NCA-877/877W)	—	Option
11	Spacer (BSB-308)	BRBP05123	
12	Spacer (BSB-325)	BRBP05125	
13	Coaching Clip (CS-4U)	BRBP05299	
14	Chassis Assy (NSK)	MPBX40337	Option
15	NSK Unit (CMJ-304C)	—	Option
16	Partition Assy	MPBX40340	
17	Terminal Unit	—	
18	Cable Clamp 1	MTB369212	
19	Cable Clamp 2	MTB369213	
20	Cable Clamp 3	MTB369214	
21	Drip-proof Rubber	MPPK30497A	
22	Power Supply Unit (CBD-1655)	—	
23	Heat sink	MTC301278	
24	I/O Circuit Unit	MDYW11757A	
25	Gasket 1	MTT308585	
26	Gasket 2	MTT308586	
27	Heat sink	MTC301173	
28	Connector	—	
29	Fuse	—	
30	Washer	—	
31	Nut	—	
32	Nut	—	
33	Nut	—	
34	Special Bolt	MTL317364	
35	Rubber Washer	MTT301458A	
36	Earth Assy	—	
37	Binding Head Screw (M3X8 CA-F)	BRTG03311	
38	Screw (M3X10SUS SW LW)	BRTG03000	
39	Screw (M5)	—	
40	Screw (M2.6)	—	
41	Screw (M3)	—	



**PARTS LIST
KEYBOARD UNIT
NCE-7699**

No.	PARTS NAME	JRC CODE
1	Panel	MTV303808
2	Cover	MTV303809
3	Rubber Key	MTV303810A
4	Packing	MTV303811
5	φ 16 Knob	MPHD30287
6	φ 38 Knob	MPHD30284
7	Packing (for speaker)	MTZ301931
8	Packing (for vibrationproof)	MTT306943
9	Speaker	—
10	Trackball Cover	MTV303599
11	Teflon Ring	MTT308975
12	Trackball	—
13	Spacer	MTT309110
14	Keyboard Unit (CCK-905)	—
15	PS2 I/F CIRCUIT(CQC-1095)	—
16	Drip-proof Rubber	MTV303812
17	Cable Clamp	BRBP05042
18	Rubber Washer	MTT301458A
19	Screw	BRTG07060
20	Screw	BRTG05720
21	Waterproof Sheet	BRPK05061
22	Cable	—



NCE-7699