

PARTS LIST

		TITLE			SHEET NO.
		部品イキョウカク	CMC-1190		13/24
PART NO	PART NAME	TYPE	DESCRIPTION	CODE	
R116	RESISTOR FXD	ERJ-6GEYJ220V	22 OHM 1/10W	5REAG01901	
R117	RESISTOR FXD	ERJ-6GEYJ220V	22 OHM 1/10W	5REAG01901	
R118	RESISTOR FXD	ERJ-6GEYJ220V	22 OHM 1/10W	5REAG01901	
R119	RESISTOR FXD	ERJ-6GEYJ472V	1/10W 4.7K OHM	5REAG01823	
R121	RESISTOR FXD	ERJ-6GEYJ220V	22 OHM 1/10W	5REAG01901	
5	R122	RESISTOR FXD	ERJ-6GEYJ220V	22 OHM 1/10W	5REAG01901
	R123	RESISTOR FXD	ERJ-6GEYJ220V	22 OHM 1/10W	5REAG01901
	R124	RESISTOR FXD	ERJ-6GEYJ220V	22 OHM 1/10W	5REAG01901
	R125	RESISTOR FXD	ERJ-6GEYJ220V	22 OHM 1/10W	5REAG01901
10	R126	RESISTOR FXD	ERJ-6GEYJ220V	22 OHM 1/10W	5REAG01901
	R127	RESISTOR FXD	ERJ-6GEY0R00V	1/10W 0 OHM	5REAG01857
	R128	RESISTOR FXD	ERJ-6GEYJ472V	1/10W 4.7K OHM	5REAG01823
	R129	RESISTOR FXD	ERJ-6GEYJ472V	1/10W 4.7K OHM	5REAG01823
	R130	RESISTOR FXD	ERJ-6GEYJ472V	1/10W 4.7K OHM	5REAG01823
15	R131	RESISTOR FXD	ERJ-6GEYJ101V	1/10W 100 OHM	5REAG01854
	R132	RESISTOR FXD	ERJ-6GEYJ220V	22 OHM 1/10W	5REAG01901
	R133	RESISTOR FXD	ERJ-6GEYJ472V		5REAG03675
	R134	RESISTOR FXD	ERJ-6GEYJ472V		5REAG03675
	R135	RESISTOR FXD	ERJ-6GEYJ472V		5REAG03675
20	R136	RESISTOR FXD	ERJ-6GEYJ472V		5REAG03675
	R137	RESISTOR FXD	ERJ-6GEYJ472V		5REAG03675
	R138	RESISTOR FXD	ERJ-6GEYJ472V		5REAG03675
	R139	RESISTOR FXD	ERJ-6GEYJ472V		5REAG03675
	R140	RESISTOR FXD	ERJ-6GEYJ472V		5REAG03675
25	R141	RESISTOR FXD	ERJ-6GEYJ472V		5REAG03675
	R142	RESISTOR FXD	ERJ-6GEYJ472V		5REAG03675
	R143	RESISTOR FXD	ERJ-6GEYJ472V		5REAG03675
	R144	RESISTOR FXD	ERJ-6GEYJ472V		5REAG03675
	R145	RESISTOR FXD	ERJ-6GEYJ472V		5REAG03675
30	R146	RESISTOR FXD	ERJ-6GEYJ472V		5REAG03675
	R147	RESISTOR FXD	ERJ-6GEYJ472V		5REAG03675
	R150	RESISTOR FXD	ERJ-6GEYJ220V	22 OHM 1/10W	5REAG01901
	R151	RESISTOR FXD	ERJ-6GEYJ220V	22 OHM 1/10W	5REAG01901
	R152	RESISTOR FXD	ERJ-6GEYJ122V	1/10W 1.2K OHM	5REAG02015
35	R153	RESISTOR FXD	ERJ-6GEYJ102V	1/10W 1K OHM	5REAG01814

## PARTS LIST

		TITLE		SHEET NO.	
		部品名"ヨカド		CMC-1190	
				14/24	
PART NO	PART NAME	TYPE	DESCRIPTION	CODE	
R154	RESISTOR FXD	ERJ-6GEYJ102V	1/10W 1K OHM	5REAG01814	
R155	RESISTOR FXD	ERJ-6GEYJ122V	1/10W 1.2K OHM	5REAG02015	
R156	RESISTOR FXD	ERJ-6GEYJ122V	1/10W 1.2K OHM	5REAG02015	
R157	RESISTOR FXD	ERJ-6GEYJ122V	1/10W 1.2K OHM	5REAG02015	
5 R158	RESISTOR FXD	ERJ-6GEYJ911V	910 OHM	5REAG03026	
R159	RESISTOR FXD	ERJ-6GEYJ681V	680 OHM ,1/10W	5REAG01817	
R160	RESISTOR FXD	ERJ-6GEYJ561V	1/10W 560 OHM	5REAG01818	
R161	RESISTOR FXD	ERJ-6GEYJ102V	1/10W 1K OHM	5REAG01814	
R162	RESISTOR FXD	ERJ-6GEYJ122V	1/10W 1.2K OHM	5REAG02015	
10 R163	RESISTOR FXD	ERJ-6GEYJ122V	1/10W 1.2K OHM	5REAG02015	
R164	RESISTOR FXD	ERJ-6GEYJ222V	1/10W 2.2K OHM	5REAG02011	
R165	RESISTOR FXD	ERJ-6GEYJ272V	1/10W 2.7K OHM	5REAG02006	
R166	RESISTOR FXD	ERJ-6GEYJ104V	1/10W 100K OHM	5REAG02020	
R167	RESISTOR FXD	ERJ-6GEYJ104V	1/10W 100K OHM	5REAG02020	
15 R168	RESISTOR FXD	ERJ-6GEYJ104V	1/10W 100K OHM	5REAG02020	
R169	RESISTOR FXD	ERJ-6GEYJ184V	1/10W 180K	5REAG02552	
R170	RESISTOR FXD	ERJ-6GEYJ103V	1/10W 10K OHM	5REAG02017	
R171	RESISTOR FXD	ERJ-6GEYJ273V	1/10W 27K OHM	5REAG02023	
R172	RESISTOR FXD	ERJ-6GEYJ222V	1/10W 2.2K OHM	5REAG02011	
20 R173	RESISTOR FXD	ERJ-6GEYJ183V	1/10W,18K OHM	5REAG02332	
R174	RESISTOR FXD	ERJ-6GEYJ472V	1/10W 4.7K OHM	5REAG01823	
R175	RESISTOR FXD	ERJ-6GEYJ472V	1/10W 4.7K OHM	5REAG01823	
R176	RESISTOR FXD	ERJ-6GEYJ472V	1/10W 4.7K OHM	5REAG01823	
R177	RESISTOR FXD	ERJ-6GEYJ472V	1/10W 4.7K OHM	5REAG01823	
25 R178	RESISTOR FXD	ERJ-6GEYJ472V	1/10W 4.7K OHM	5REAG01823	
R179	RESISTOR FXD	ERJ-6GEYJ472V	1/10W 4.7K OHM	5REAG01823	
R180	RESISTOR FXD	ERJ-6GEYJ472V	1/10W 4.7K OHM	5REAG01823	
R181	RESISTOR FXD	ERJ-6GEYJ472V	1/10W 4.7K OHM	5REAG01823	
R182	RESISTOR FXD	ERJ-6GEYJ472V	1/10W 4.7K OHM	5REAG01823	
30 R183	RESISTOR FXD	ERJ-6GEYJ472V	1/10W 4.7K OHM	5REAG01823	
R184	RESISTOR FXD	ERJ-6GEYJ472V	1/10W 4.7K OHM	5REAG01823	
R185	RESISTOR FXD	ERJ-6GEYJ472V	1/10W 4.7K OHM	5REAG01823	
R186	RESISTOR FXD	ERJ-6GEYJ472V	1/10W 4.7K OHM	5REAG01823	
R187	RESISTOR FXD	ERJ-6GEYJ472V	1/10W 4.7K OHM	5REAG01823	
35 R188	RESISTOR FXD	ERJ-6GEYJ472V	1/10W 4.7K OHM	5REAG01823	

PARTS LIST

		TITLE			SHEET NO.
		部品名	CMC-1190		15/24
PART NO	PART NAME	TYPE	DESCRIPTION	CODE	
R189	RESISTOR FXD	ERJ-6GEYJ472V	1/10W 4.7K OHM	5REAG01823	
R190	RESISTOR FXD	ERJ-6GEYJ472V	1/10W 4.7K OHM	5REAG01823	
R191	RESISTOR FXD	ERJ-6GEYJ472V	1/10W 4.7K OHM	5REAG01823	
R200	RESISTOR FXD	ERJ-6GEYJ471V	470 OHM ,1/10W	5REAG01827	
R201	RESISTOR FXD	ERJ-6GEYJ472V	1/10W 4.7K OHM	5REAG01823	
5	R202	RESISTOR FXD	ERJ-6GEYJ220V	22 OHM 1/10W	5REAG01901
	R203	RESISTOR FXD	ERJ-6GEYJ472V	1/10W 4.7K OHM	5REAG01823
	R204	RESISTOR FXD	ERJ-6GEYJ472V	1/10W 4.7K OHM	5REAG01823
	R205	RESISTOR FXD	ERJ-6GEYJ472V	1/10W 4.7K OHM	5REAG01823
	R206	RESISTOR FXD	ERJ-6GEYJ472V	1/10W 4.7K OHM	5REAG01823
10	R207	RESISTOR FXD	ERJ-6GEYJ472V	1/10W 4.7K OHM	5REAG01823
	R208	RESISTOR FXD	ERJ-6GEYJ472V	1/10W 4.7K OHM	5REAG01823
	R209	RESISTOR FXD	ERJ-6GEYJ472V	1/10W 4.7K OHM	5REAG01823
	R210	RESISTOR FXD	ERJ-6GEYJ472V	1/10W 4.7K OHM	5REAG01823
	R250	RESISTOR FXD	ERJ-6GEYJ103V	1/10W 10K OHM	5REAG02017
15	R251	RESISTOR FXD	ERJ-6GEYJ103V	1/10W 10K OHM	5REAG02017
	R252	RESISTOR FXD	ERJ-6GEYJ103V	1/10W 10K OHM	5REAG02017
	R253	RESISTOR FXD	ERJ-6GEYJ103V	1/10W 10K OHM	5REAG02017
	R254	RESISTOR FXD	ERJ-6GEYJ103V	1/10W 10K OHM	5REAG02017
	R255	RESISTOR FXD	ERJ-6GEYJ103V	1/10W 10K OHM	5REAG02017
20	R256	RESISTOR FXD	ERJ-6GEYJ472V	1/10W 4.7K OHM	5REAG01823
	R257	RESISTOR FXD	ERJ-6GEYJ472V	1/10W 4.7K OHM	5REAG01823
	R258	RESISTOR FXD	ERJ-6GEYJ472V	1/10W 4.7K OHM	5REAG01823
	R259	RESISTOR FXD	ERJ-6GEYJ472V	1/10W 4.7K OHM	5REAG01823
	R260	RESISTOR FXD	ERJ-6GEYJ472V	1/10W 4.7K OHM	5REAG01823
25	R261	RESISTOR FXD	ERJ-6GEYJ472V	1/10W 4.7K OHM	5REAG01823
	R262	RESISTOR FXD	ERJ-6GEYJ472V	1/10W 4.7K OHM	5REAG01823
	R263	RESISTOR FXD	ERJ-6GEYJ472V	1/10W 4.7K OHM	5REAG01823
	R264	RESISTOR FXD	ERJ-6GEYJ472V	1/10W 4.7K OHM	5REAG01823
	R265	RESISTOR FXD	ERJ-6GEYJ472V	1/10W 4.7K OHM	5REAG01823
30	R266	RESISTOR FXD	ERJ-6GEYJ472V	1/10W 4.7K OHM	5REAG01823
	R267	RESISTOR FXD	ERJ-6GEYJ472V	1/10W 4.7K OHM	5REAG01823
	R268	RESISTOR FXD	ERJ-6GEYJ472V	1/10W 4.7K OHM	5REAG01823
	R269	RESISTOR FXD	ERJ-6GEYJ472V	1/10W 4.7K OHM	5REAG01823
	R270	RESISTOR FXD	ERJ-6GEYJ472V	1/10W 4.7K OHM	5REAG01823
35					

## PARTS LIST

		TITLE		SHEET NO.
		シユビイキ"ヨカイロ	CMC-1190	16/24
PART NO	PART NAME	TYPE	DESCRIPTION	CODE
R271	RESISTOR FXD	ERJ-6GEYJ472V	1/10W 4.7K OHM	5REAG01823
R272	RESISTOR FXD	ERJ-6GEYJ472V	1/10W 4.7K OHM	5REAG01823
R273	RESISTOR FXD	ERJ-6GEYJ472V	1/10W 4.7K OHM	5REAG01823
R274	RESISTOR FXD	ERJ-6GEYJ472V	1/10W 4.7K OHM	5REAG01823
5 R275	RESISTOR FXD	ERJ-6GEYJ472V	1/10W 4.7K OHM	5REAG01823
R276	RESISTOR FXD	ERJ-6GEYJ472V	1/10W 4.7K OHM	5REAG01823
R277	RESISTOR FXD	ERJ-6GEYJ472V	1/10W 4.7K OHM	5REAG01823
R278	RESISTOR FXD	ERJ-6GEYJ472V	1/10W 4.7K OHM	5REAG01823
R279	RESISTOR FXD	ERJ-6GEYJ472V	1/10W 4.7K OHM	5REAG01823
10 R280	RESISTOR FXD	ERJ-6GEYJ472V	1/10W 4.7K OHM	5REAG01823
R281	RESISTOR FXD	ERJ-6GEYJ472V	1/10W 4.7K OHM	5REAG01823
R282	RESISTOR FXD	ERJ-6GEYJ472V	1/10W 4.7K OHM	5REAG01823
R283	RESISTOR FXD	ERJ-6GEYJ472V	1/10W 4.7K OHM	5REAG01823
R284	RESISTOR FXD	ERJ-6GEYJ472V	1/10W 4.7K OHM	5REAG01823
15 R285	RESISTOR FXD	ERJ-6GEYJ472V	1/10W 4.7K OHM	5REAG01823
R286	RESISTOR FXD	ERJ-6GEYJ472V	1/10W 4.7K OHM	5REAG01823
R287	RESISTOR FXD	ERJ-6GEYJ472V	1/10W 4.7K OHM	5REAG01823
R288	RESISTOR FXD	ERJ-6GEYJ472V	1/10W 4.7K OHM	5REAG01823
R289	RESISTOR FXD	ERJ-6GEYJ472V	1/10W 4.7K OHM	5REAG01823
20 R290	RESISTOR FXD	ERJ-6GEYJ472V	1/10W 4.7K OHM	5REAG01823
R291	RESISTOR FXD	ERJ-6GEYJ472V	1/10W 4.7K OHM	5REAG01823
R292	RESISTOR FXD	ERJ-6GEYJ472V	1/10W 4.7K OHM	5REAG01823
R293	RESISTOR FXD	ERJ-6GEYJ472V	1/10W 4.7K OHM	5REAG01823
R294	RESISTOR FXD	ERJ-6GEYJ472V	1/10W 4.7K OHM	5REAG01823
25 R295	RESISTOR FXD	ERJ-6GEYJ472V	1/10W 4.7K OHM	5REAG01823
R296	RESISTOR FXD	ERJ-6GEYJ472V	1/10W 4.7K OHM	5REAG01823
R297	RESISTOR FXD	ERJ-6GEYJ472V	1/10W 4.7K OHM	5REAG01823
R298	RESISTOR FXD	ERJ-6GEYJ472V	1/10W 4.7K OHM	5REAG01823
R299	RESISTOR FXD	ERJ-6GEYJ472V	1/10W 4.7K OHM	5REAG01823
30 R300	RESISTOR FXD	ERJ-6GEYJ472V	1/10W 4.7K OHM	5REAG01823
R301	RESISTOR FXD	ERJ-6GEYJ472V	1/10W 4.7K OHM	5REAG01823
R302	RESISTOR FXD	ERJ-6GEYJ472V	1/10W 4.7K OHM	5REAG01823
R303	RESISTOR FXD	ERJ-6GEYJ472V	1/10W 4.7K OHM	5REAG01823
R304	RESISTOR FXD	ERJ-6GEYJ472V	1/10W 4.7K OHM	5REAG01823
35 R305	RESISTOR FXD	ERJ-6GEYJ472V	1/10W 4.7K OHM	5REAG01823

PARTS LIST

		TITLE			SHEET NO.
		シユビイキ"ヨカイロ	CMC-1190		17/24
PART NO	PART NAME	TYPE	DESCRIPTION	CODE	
R306	RESISTOR FXD	ERJ-6GEYJ472V	1/10W 4.7K OHM	5REAG01823	
R307	RESISTOR FXD	ERJ-6GEYJ472V	1/10W 4.7K OHM	5REAG01823	
R308	RESISTOR FXD	ERJ-6GEYJ472V	1/10W 4.7K OHM	5REAG01823	
R309	RESISTOR FXD	ERJ-6GEYJ472V	1/10W 4.7K OHM	5REAG01823	
R310	RESISTOR FXD	ERJ-6GEYJ472V	1/10W 4.7K OHM	5REAG01823	
5					
R311	RESISTOR FXD	ERJ-6GEYJ472V	1/10W 4.7K OHM	5REAG01823	
R312	RESISTOR FXD	ERJ-6GEYJ472V	1/10W 4.7K OHM	5REAG01823	
R313	RESISTOR FXD	ERJ-6GEYJ472V	1/10W 4.7K OHM	5REAG01823	
R314	RESISTOR FXD	ERJ-6GEYJ472V	1/10W 4.7K OHM	5REAG01823	
R315	RESISTOR FXD	ERJ-6GEYJ472V	1/10W 4.7K OHM	5REAG01823	
10					
R316	RESISTOR FXD	ERJ-6GEYJ472V	1/10W 4.7K OHM	5REAG01823	
R317	RESISTOR FXD	ERJ-6GEYJ472V	1/10W 4.7K OHM	5REAG01823	
R318	RESISTOR FXD	ERJ-6GEYJ472V	1/10W 4.7K OHM	5REAG01823	
R319	RESISTOR FXD	ERJ-6GEYJ472V	1/10W 4.7K OHM	5REAG01823	
R320	RESISTOR FXD	ERJ-6GEYJ472V	1/10W 4.7K OHM	5REAG01823	
15					
R321	RESISTOR FXD	ERJ-6GEYJ472V	1/10W 4.7K OHM	5REAG01823	
R322	RESISTOR FXD	ERJ-6GEYJ472V	1/10W 4.7K OHM	5REAG01823	
R323	RESISTOR FXD	ERJ-6GEYJ472V	1/10W 4.7K OHM	5REAG01823	
R324	RESISTOR FXD	ERJ-6GEYJ472V	1/10W 4.7K OHM	5REAG01823	
R325	RESISTOR FXD	ERJ-6GEYJ472V	1/10W 4.7K OHM	5REAG01823	
20					
R326	RESISTOR FXD	ERJ-6GEYJ472V	1/10W 4.7K OHM	5REAG01823	
R327	RESISTOR FXD	ERJ-6GEYJ472V	1/10W 4.7K OHM	5REAG01823	
R328	RESISTOR FXD	ERJ-6GEYJ472V	1/10W 4.7K OHM	5REAG01823	
R329	RESISTOR FXD	ERJ-6GEYJ472V	1/10W 4.7K OHM	5REAG01823	
R330	RESISTOR FXD	ERJ-6GEYJ472V	1/10W 4.7K OHM	5REAG01823	
25					
R331	RESISTOR FXD	ERJ-6GEYJ472V	1/10W 4.7K OHM	5REAG01823	
R332	RESISTOR FXD	ERJ-6GEYJ472V	1/10W 4.7K OHM	5REAG01823	
R333	RESISTOR FXD	ERJ-6GEYJ472V	1/10W 4.7K OHM	5REAG01823	
R334	RESISTOR FXD	ERJ-6GEYJ472V	1/10W 4.7K OHM	5REAG01823	
R335	RESISTOR FXD	ERJ-6GEYJ472V	1/10W 4.7K OHM	5REAG01823	
30					
R336	RESISTOR FXD	ERJ-6GEYJ472V	1/10W 4.7K OHM	5REAG01823	
R337	RESISTOR FXD	ERJ-6GEYJ103V	1/10W 10K OHM	5REAG02017	
R338	RESISTOR FXD	ERJ-6GEYJ103V	1/10W 10K OHM	5REAG02017	
R339	RESISTOR FXD	ERJ-6GEYJ103V		5REAG03683	
R340	RESISTOR FXD	ERJ-6GEYJ103V		5REAG03683	
35					

PARTS LIST

		TITLE			SHEET NO
		シユビイキ"ヨカ10		CMC-1190	18/24
PART NO	PART NAME	TYPE	DESCRIPTION	CODE	
R341	RESISTOR FXD	ERJ-6GEYJ103V		5REAG03683	
R342	RESISTOR FXD	ERJ-6GEYJ103V		5REAG03683	
R343	RESISTOR FXD	ERJ-6GEYJ103V		5REAG03683	
R344	RESISTOR FXD	ERJ-6GEYJ103V		5REAG03683	
R345	RESISTOR FXD	ERJ-6GEYJ103V		5REAG03683	
5					
R346	RESISTOR FXD	ERJ-6GEYJ103V		5REAG03683	
R347	RESISTOR FXD	ERJ-6GEYJ472V		5REAG03675	
R400	RESISTOR FXD	ERJ-6GEYJ472V	1/10W 4.7K OHM	5REAG01823	
R401	RESISTOR FXD	ERJ-6GEYJ472V	1/10W 4.7K OHM	5REAG01823	
R402	RESISTOR FXD	ERJ-6GEYJ472V	1/10W 4.7K OHM	5REAG01823	
10					
R403	RESISTOR FXD	ERJ-6GEYJ472V	1/10W 4.7K OHM	5REAG01823	
R404	RESISTOR FXD	ERJ-6GEYJ472V	1/10W 4.7K OHM	5REAG01823	
R405	RESISTOR FXD	ERJ-6GEYJ472V	1/10W 4.7K OHM	5REAG01823	
R406	RESISTOR FXD	ERJ-6GEYJ472V	1/10W 4.7K OHM	5REAG01823	
R407	RESISTOR FXD	ERJ-6GEYJ472V	1/10W 4.7K OHM	5REAG01823	
15					
R408	RESISTOR FXD	ERJ-6GEYJ472V	1/10W 4.7K OHM	5REAG01823	
R409	RESISTOR FXD	ERJ-6GEYJ472V	1/10W 4.7K OHM	5REAG01823	
R410	RESISTOR FXD	ERJ-6GEYJ472V	1/10W 4.7K OHM	5REAG01823	
R411	RESISTOR FXD	ERJ-6GEYJ472V	1/10W 4.7K OHM	5REAG01823	
R412	RESISTOR FXD	ERJ-6GEYJ472V	1/10W 4.7K OHM	5REAG01823	
20					
R413	RESISTOR FXD	ERJ-6GEYJ472V	1/10W 4.7K OHM	5REAG01823	
R414	RESISTOR FXD	ERJ-6GEYJ472V	1/10W 4.7K OHM	5REAG01823	
R415	RESISTOR FXD	ERJ-6GEYJ472V	1/10W 4.7K OHM	5REAG01823	
R416	RESISTOR FXD	ERJ-6GEYJ472V	1/10W 4.7K OHM	5REAG01823	
R417	RESISTOR FXD	ERJ-6GEYJ472V	1/10W 4.7K OHM	5REAG01823	
25					
R418	RESISTOR FXD	ERJ-6GEYJ472V	1/10W 4.7K OHM	5REAG01823	
R419	RESISTOR FXD	ERJ-6GEYJ472V	1/10W 4.7K OHM	5REAG01823	
R420	RESISTOR FXD	ERJ-6GEYJ472V	1/10W 4.7K OHM	5REAG01823	
R421	RESISTOR FXD	ERJ-6GEYJ472V	1/10W 4.7K OHM	5REAG01823	
R422	RESISTOR FXD	ERJ-6GEYJ472V	1/10W 4.7K OHM	5REAG01823	
30					
R423	RESISTOR FXD	ERJ-6GEYJ472V	1/10W 4.7K OHM	5REAG01823	
R424	RESISTOR FXD	ERJ-6GEYJ472V	1/10W 4.7K OHM	5REAG01823	
R425	RESISTOR FXD	ERJ-6GEYJ472V	1/10W 4.7K OHM	5REAG01823	
R426	RESISTOR FXD	ERJ-6GEYJ472V	1/10W 4.7K OHM	5REAG01823	
R427	RESISTOR FXD	ERJ-6GEYJ472V	1/10W 4.7K OHM	5REAG01823	
35					

PARTS LIST

		TITLE			SHEET NO.
		部品イキ"ヨカイ	CMC-1190		19/24
PART NO	PART NAME	TYPE	DESCRIPTION	CODE	
R428	RESISTOR FXD	ERJ-6GEYJ472V	1/10W 4.7K OHM	5REAG01823	
R429	RESISTOR FXD	ERJ-6GEYJ472V	1/10W 4.7K OHM	5REAG01823	
R430	RESISTOR FXD	ERJ-6GEYJ472V	1/10W 4.7K OHM	5REAG01823	
R431	RESISTOR FXD	ERJ-6GEYJ472V	1/10W 4.7K OHM	5REAG01823	
R432	RESISTOR FXD	ERJ-6GEYJ472V	1/10W 4.7K OHM	5REAG01823	
5					
R433	RESISTOR FXD	ERJ-6GEYJ472V	1/10W 4.7K OHM	5REAG01823	
R434	RESISTOR FXD	ERJ-6GEYJ472V	1/10W 4.7K OHM	5REAG01823	
R435	RESISTOR FXD	ERJ-6GEYJ472V	1/10W 4.7K OHM	5REAG01823	
R436	RESISTOR FXD	ERJ-6GEYJ472V	1/10W 4.7K OHM	5REAG01823	
R437	RESISTOR FXD	ERJ-6GEYJ472V	1/10W 4.7K OHM	5REAG01823	
10					
R438	RESISTOR FXD	ERJ-6GEYJ472V	1/10W 4.7K OHM	5REAG01823	
R439	RESISTOR FXD	ERJ-6GEYJ472V	1/10W 4.7K OHM	5REAG01823	
R440	RESISTOR FXD	ERJ-6GEYJ472V	1/10W 4.7K OHM	5REAG01823	
R441	RESISTOR FXD	ERJ-6GEYJ472V	1/10W 4.7K OHM	5REAG01823	
R442	RESISTOR FXD	ERJ-6GEYJ472V	1/10W 4.7K OHM	5REAG01823	
15					
R443	RESISTOR FXD	ERJ-6GEYJ472V	1/10W 4.7K OHM	5REAG01823	
R444	RESISTOR FXD	ERJ-6GEYJ472V	1/10W 4.7K OHM	5REAG01823	
R445	RESISTOR FXD	ERJ-6GEYJ472V	1/10W 4.7K OHM	5REAG01823	
R446	RESISTOR FXD	ERJ-6GEYJ472V	1/10W 4.7K OHM	5REAG01823	
R447	RESISTOR FXD	ERJ-6GEYJ472V	1/10W 4.7K OHM	5REAG01823	
20					
R448	RESISTOR FXD	ERJ-6GEYJ472V	1/10W 4.7K OHM	5REAG01823	
R449	RESISTOR FXD	ERJ-6GEYJ472V	1/10W 4.7K OHM	5REAG01823	
R450	RESISTOR FXD	ERJ-6GEYJ472V	1/10W 4.7K OHM	5REAG01823	
R451	RESISTOR FXD	ERJ-6GEYJ472V	1/10W 4.7K OHM	5REAG01823	
R452	RESISTOR FXD	ERJ-6GEYJ472V	1/10W 4.7K OHM	5REAG01823	
25					
R453	RESISTOR FXD	ERJ-6GEYJ103V	1/10W 10K OHM	5REAG02017	
R454	RESISTOR FXD	ERJ-6GEYJ103V	1/10W 10K OHM	5REAG02017	
R455	RESISTOR FXD	ERJ-6GEYJ103V	1/10W 10K OHM	5REAG02017	
R456	RESISTOR FXD	ERJ-6GEYJ103V	1/10W 10K OHM	5REAG02017	
R457	RESISTOR FXD	ERJ-6GEYJ103V	1/10W 10K OHM	5REAG02017	
30					
R458	RESISTOR FXD	ERJ-6GEYJ103V	1/10W 10K OHM	5REAG02017	
R460	RESISTOR FXD	ERJ-6GEYJ472V	1/10W 4.7K OHM	5REAG01823	
R462	RESISTOR FXD	ERJ-6GEY0R00V	1/10W 0 OHM	5REAG01857	
R463	RESISTOR FXD	ERJ-6GEYJ750V	75 OHM 1/10W	5REAG01856	
R464	RESISTOR FXD	ERJ-6GEYJ302V		5REAG02831	
35					

## PARTS LIST

		TITLE			SHEET NO.
		部品名	CMC-1190	20/24	
PART NO	PART NAME	TYPE	DESCRIPTION	CODE	
R465	RESISTOR FXD	ERJ-6GEYJ750V	75 OHM 1/10W	5REAG01856	
R466	RESISTOR FXD	ERJ-6GEYJ302V		5REAG02831	
R467	RESISTOR FXD	ERJ-6GEYJ750V	75 OHM 1/10W	5REAG01856	
R468	RESISTOR FXD	ERJ-6GEYJ302V		5REAG02831	
R469	RESISTOR FXD	ERJ-6GEYJ472V	1/10W 4.7K OHM	5REAG01823	
5	R470	RESISTOR FXD	ERJ-6GEYJ472V	1/10W 4.7K OHM	5REAG01823
	R471	RESISTOR FXD	ERJ-6GEYJ472V	1/10W 4.7K OHM	5REAG01823
	R472	RESISTOR FXD	ERJ-6GEYJ472V	1/10W 4.7K OHM	5REAG01823
	R473	RESISTOR FXD	ERJ-6GEYJ472V	1/10W 4.7K OHM	5REAG01823
	R474	RESISTOR FXD	ERJ-6GEYJ472V	1/10W 4.7K OHM	5REAG01823
10	R475	RESISTOR FXD	ERJ-6GEYJ472V	1/10W 4.7K OHM	5REAG01823
	R476	RESISTOR FXD	ERJ-6GEYJ472V	1/10W 4.7K OHM	5REAG01823
	R477	RESISTOR FXD	ERJ-6GEYJ472V	1/10W 4.7K OHM	5REAG01823
	R478	RESISTOR FXD	ERJ-6GEYJ472V	1/10W 4.7K OHM	5REAG01823
	R479	RESISTOR FXD	ERJ-6GEYJ472V	1/10W 4.7K OHM	5REAG01823
15	R480	RESISTOR FXD	ERJ-6GEYJ472V	1/10W 4.7K OHM	5REAG01823
	R481	RESISTOR FXD	ERJ-6GEYJ472V	1/10W 4.7K OHM	5REAG01823
	R482	RESISTOR FXD	ERJ-6GEYJ472V	1/10W 4.7K OHM	5REAG01823
	R483	RESISTOR FXD	ERJ-6GEYJ472V	1/10W 4.7K OHM	5REAG01823
	R484	RESISTOR FXD	ERJ-6GEYJ472V	1/10W 4.7K OHM	5REAG01823
20	R485	RESISTOR FXD	ERJ-6GEYJ472V	1/10W 4.7K OHM	5REAG01823
	R486	RESISTOR FXD	ERJ-6GEYJ472V	1/10W 4.7K OHM	5REAG01823
	R487	RESISTOR FXD	ERJ-6GEYJ472V	1/10W 4.7K OHM	5REAG01823
	R488	RESISTOR FXD	ERJ-6GEYJ472V	1/10W 4.7K OHM	5REAG01823
	R489	RESISTOR FXD	ERJ-6GEYJ472V	1/10W 4.7K OHM	5REAG01823
25	R490	RESISTOR FXD	ERJ-6GEYJ472V	1/10W 4.7K OHM	5REAG01823
	R491	RESISTOR FXD	ERJ-6GEYJ472V	1/10W 4.7K OHM	5REAG01823
	R492	RESISTOR FXD	ERJ-6GEYJ472V	1/10W 4.7K OHM	5REAG01823
	R493	RESISTOR FXD	ERJ-6GEYJ472V	1/10W 4.7K OHM	5REAG01823
	R494	RESISTOR FXD	ERJ-6GEYJ472V		5REAG03675
30	R495	RESISTOR FXD	ERJ-6GEYJ0R00V		5REAG03215
	R496	RESISTOR FXD	ERJ-6GEYJ0R00V		5REAG03215
	R497	RESISTOR FXD	ERJ-6GEYJ0R00V		5REAG03215
	R500	RESISTOR FXD	ERJ-6GEYJ510V	1/10W 51 OHM	5REAG01820
	R501	RESISTOR FXD	ERJ14YJ681U	680 OHM 1/4W	5REAG06715
35					



## PARTS LIST

		TITLE			SHEET NO.
		部品名	CMC-1190	21/24	
PART NO	PART NAME	TYPE	DESCRIPTION	CODE	
R502	RESISTOR FXD	ERJ14YJ681U	680 OHM 1/4W	5REAG06715	
R503	RESISTOR FXD	ERJ14YJ681U	680 OHM 1/4W	5REAG06715	
R504	RESISTOR FXD	ERJ-6GEYJ101V	1/10W 100 OHM	5REAG01854	
R505	RESISTOR FXD	ERJ14YJ681U	680 OHM 1/4W	5REAG06715	
5 R506	RESISTOR FXD	ERJ-6GEYJ472V	1/10W 4.7K OHM	5REAG01823	
R507	RESISTOR FXD	ERJ14YJ681U	680 OHM 1/4W	5REAG06715	
R508	RESISTOR FXD	ERJ14YJ681U	680 OHM 1/4W	5REAG06715	
R510	RESISTOR FXD	ERJ-6GEYJ472V	1/10W 4.7K OHM	5REAG01823	
R511	RESISTOR FXD	ERJ-6GEYJ103V	1/10W 10K OHM	5REAG02017	
10 R512	RESISTOR FXD	ERJ-6GEYJ103V	1/10W 10K OHM	5REAG02017	
R513	RESISTOR FXD	ERJ-6GEYJ472V	1/10W 4.7K OHM	5REAG01823	
R514	RESISTOR FXD	ERJ-6GEYJ472V	1/10W 4.7K OHM	5REAG01823	
R515	RESISTOR FXD	ERJ-6GEYJ472V	1/10W 4.7K OHM	5REAG01823	
R516	RESISTOR FXD	ERJ-6GEYJ101V	1/10W 100 OHM	5REAG01854	
15 R517	RESISTOR FXD	ERJ14YJ681U	680 OHM 1/4W	5REAG06715	
R518	RESISTOR FXD	ERJ-12YJ102U		5REAG06202	
R519	RESISTOR FXD	ERJ-6GEYJ331V	1/10W 330 OHM	5REAG01825	
R520	RESISTOR FXD	ERJ14YJ681U	680 OHM 1/4W	5REAG06715	
R521	RESISTOR FXD	ERJ-6GEYJ331V	1/10W 330 OHM	5REAG01825	
20 R522	RESISTOR FXD	ERJ14YJ681U	680 OHM 1/4W	5REAG06715	
R523	RESISTOR FXD	ERJ14YJ681U	680 OHM 1/4W	5REAG06715	
R524	RESISTOR FXD	ERJ-6GEYJ101V	1/10W 100 OHM	5REAG01854	
R525	RESISTOR FXD	ERJ-12YJ102U		5REAG06202	
R526	RESISTOR FXD	ERJ-6GEYJ470V	47 OHM 1/10W	5REAG02014	
25 R527	RESISTOR FXD	ERJ-6GEYJ101V	1/10W 100 OHM	5REAG01854	
R528	RESISTOR FXD	ERJ14YJ681U	680 OHM 1/4W	5REAG06715	
R529	RESISTOR FXD	ERJ-12YJ102U		5REAG06202	
R530	RESISTOR FXD	ERJ-6GEYJ331V	1/10W 330 OHM	5REAG01825	
R531	RESISTOR FXD	ERJ14YJ681U	680 OHM 1/4W	5REAG06715	
30 R532	RESISTOR FXD	ERJ-6GEYJ331V	1/10W 330 OHM	5REAG01825	
R533	RESISTOR FXD	ERJ14YJ681U	680 OHM 1/4W	5REAG06715	
R534	RESISTOR FXD	ERJ14YJ681U	680 OHM 1/4W	5REAG06715	
R535	RESISTOR FXD	ERJ-6GEYJ101V	1/10W 100 OHM	5REAG01854	
R536	RESISTOR FXD	ERJ-12YJ102U		5REAG06202	
35 R537	RESISTOR FXD	ERJ-6GEYJ470V	47 OHM 1/10W	5REAG02014	

## PARTS LIST

		TITLE			SHEET NO.
		シユビイキ"ヨカド		CMC-1190	22/24
PART NO	PART NAME	TYPE	DESCRIPTION	CODE	
R538	RESISTOR FXD	ERJ-6GEYJ103V	1/10W 10K OHM	5REAG02017	
R539	RESISTOR FXD	ERJ-6GEYJ103V	1/10W 10K OHM	5REAG02017	
R540	RESISTOR FXD	ERJ-6GEYJ362V	3.6K OHM	5REAG02802	
R541	RESISTOR FXD	ERJ-6GEYJ222V	1/10W 2.2K OHM	5REAG02011	
R542	RESISTOR FXD	ERJ-6GEYJ391V	1/10W 390 OHM	5REAG01855	
R543	RESISTOR FXD	ERJ-6GEYJ471V	470 OHM ,1/10W	5REAG01827	
R544	RESISTOR FXD	ERJ-6GEYJ471V	470 OHM ,1/10W	5REAG01827	
R545	RESISTOR FXD	ERJ-6GEYJ472V	1/10W 4.7K OHM	5REAG01823	
R546	RESISTOR FXD	ERJ-6GEYJ470V	47 OHM 1/10W	5REAG02014	
R547	RESISTOR FXD	ERJ-6GEYJ472V		5REAG03675	
R548	RESISTOR FXD	ERJ-6GEYJ391V	1/10W 390 OHM	5REAG01855	
R549	RESISTOR FXD	ERJ-6GEYJ222V	1/10W 2.2K OHM	5REAG02011	
R550	RESISTOR FXD	ERJ-6GEYJ471V	470 OHM ,1/10W	5REAG01827	
R551	RESISTOR FXD	ERJ-6GEYJ471V	470 OHM ,1/10W	5REAG01827	
R552	RESISTOR FXD	ERJ-6GEYJ472V	1/10W 4.7K OHM	5REAG01823	
R553	RESISTOR FXD	ERJ-6GEYJ471V		5REAG03685	
R554	RESISTOR FXD	ERJ-6GEYJ302V		5REAG02831	
R600	RESISTOR FXD	ERJ-6GEYJ471V	470 OHM ,1/10W	5REAG01827	
R601	RESISTOR FXD	ERJ-6GEYJ302V		5REAG02831	
R602	RESISTOR FXD	ERJ-6GEYJ101V	1/10W 100 OHM	5REAG01854	
R603	RESISTOR FXD	ERJ12YJ4R7U	1/2W 4.7 OHM	5REAH00060	
R604	RESISTOR FXD	ERJ12YJ4R7U	1/2W 4.7 OHM	5REAH00060	
R605	RESISTOR FXD	ERJ-12YJ220U		5REAG06206	
R606	RESISTOR FXD	ERJ-6GEYJ471V	470 OHM ,1/10W	5REAG01827	
R607	RESISTOR FXD	ERJ-6GEYJ302V		5REAG02831	
R608	RESISTOR FXD	ERJ-6GEYJ101V	1/10W 100 OHM	5REAG01854	
R609	RESISTOR FXD	ERJ12YJ4R7U	1/2W 4.7 OHM	5REAH00060	
R610	RESISTOR FXD	ERJ12YJ4R7U	1/2W 4.7 OHM	5REAH00060	
R611	RESISTOR FXD	ERJ-12YJ220U		5REAG06206	
R612	RESISTOR FXD	ERJ-6GEYJ472V	1/10W 4.7K OHM	5REAG01823	
R613	RESISTOR FXD	ERJ-6GEYJ472V	1/10W 4.7K OHM	5REAG01823	
R614	RESISTOR FXD	ERJ-6GEYJ472V	1/10W 4.7K OHM	5REAG01823	
R615	RESISTOR FXD	ERJ-6GEYJ472V	1/10W 4.7K OHM	5REAG01823	
R616	RESISTOR FXD	ERJ-6GEYJ472V	1/10W 4.7K OHM	5REAG01823	
R617	RESISTOR FXD	ERJ-6GEYJ472V	1/10W 4.7K OHM	5REAG01823	

## PARTS LIST

		TITLE		SHEET NO.	
		511E1# "ヨカ10		CMC-1190	
				23/24	
PART NO	PART NAME	TYPE	DESCRIPTION	CODE	
R618	RESISTOR FXD	ERJ-6GEYJ472V	1/10W 4.7K OHM	5REAG01823	
R619	RESISTOR FXD	ERJ-6GEYJ472V	1/10W 4.7K OHM	5REAG01823	
R620	RESISTOR FXD	ERJ-6GEYJ103V	1/10W 10K OHM	5REAG02017	
R634	RESISTOR FXD	ERJ-6GEYJ103V		5REAG03683	
R635	RESISTOR FXD	ERJ-6GEYJ103V		5REAG03683	
R636	RESISTOR FXD	ERJ-6GEYJ103V		5REAG03683	
R637	RESISTOR FXD	ERJ-6GEYJ103V		5REAG03683	
R638	RESISTOR FXD	ERJ-6GEYJ103V		5REAG03683	
R639	RESISTOR FXD	ERJ-6GEYJ103V		5REAG03683	
TB1	TERMINAL	FFC-3AMEP1	3P	5JTCA00037	
TB2	TERMINAL	FFC-3AMEP1	3P	5JTCA00037	
TB3	TERMINAL	FFC-3AMEP1	3P	5JTCA00037	
TB4	TERMINAL	FFC-3AMEP1	3P	5JTCA00037	
TB5	TERMINAL	FFC-3AMEP1	3P	5JTCA00037	
TB6	TERMINAL	FFC-3AMEP1	3P	5JTCA00037	
TB7	TERMINAL	FFC-3AMEP1	3P	5JTCA00037	
TB8	TERMINAL	FFC-3AMEP1	3P	5JTCA00037	
TB9	TERMINAL	FFC-3AMEP1	3P	5JTCA00037	
TB10	TERMINAL	FFC-3AMEP1	3P	5JTCA00037	
TB11	TERMINAL	FFC-3AMEP1	3P	5JTCA00037	
TP1	TERMINAL	LC-2-G BLK		5JTCW00001	
TP2	TERMINAL	LC-2-G BLK		5JTCW00001	
TP3	TERMINAL	LC-2-G BLK		5JTCW00001	
TP4	TERMINAL	LC-2-G ORN	LC-2-G	5JTCW00017	
TP6	TERMINAL	LC-2-G ORN	LC-2-G	5JTCW00017	
TP8	TERMINAL	LC-2-G ORN	LC-2-G	5JTCW00017	
TP10	TERMINAL	LC-2-G ORN	LC-2-G	5JTCW00017	
TP101	TERMINAL	LC-2-G ORN	LC-2-G	5JTCW00017	
TP238	TERMINAL	LC-2-G ORN	LC-2-G	5JTCW00017	
TP510	TERMINAL	LC-2-G ORN	LC-2-G	5JTCW00017	
TR1	TRANSISTOR	2SC3735-T2B-B34		5TCAB01478	
TR2	TRANSISTOR	2SA1462-T1B-Y33		5TAAB00164	
TR3	TRANSISTOR	2SA1462-T1B-Y33		5TAAB00164	
TR4	TRANSISTOR	2SC3735-T2B-B34		5TCAB01478	
TR5	TRANSISTOR	2SC3735-T2B-B34		5TCAB01478	

PARTS LIST

		TITLE		SHEET NO.
		ジエイキヨカイロ	CMC-1190	24/24
PART NO	PART NAME	TYPE	DESCRIPTION	CODE
TR6	TRANSISTOR	2SC3735-T2B-B34		5TCAB01478
TR7	TRANSISTOR	2SA1462-T1B-Y33		5TAAB00164
TR8	TRANSISTOR	2SC3735-T2B-B34		5TCAB01478
TR9	TRANSISTOR	2SA1462-T1B-Y33		5TAAB00164
5 TR10	TRANSISTOR	2SA1462-T1B-Y33		5TAAB00164
TR11	TRANSISTOR	2SC3735-T2B-B34		5TCAB01478
TR12	TRANSISTOR	2SC3735-T2B-B34		5TCAB01478
TR13	TRANSISTOR	2SC3735-T2B-B34		5TCAB01478
TR14	TRANSISTOR	2SC2983-Y(LB)		5TCAF00921
10 TR15	TRANSISTOR	2SA1462-T1B-Y33		5TAAB00164
TR16	TRANSISTOR	2SC3735-T2B-B34		5TCAB01478
TR17	TRANSISTOR	2SC2983-Y(LB)		5TCAF00921
TR18	TRANSISTOR	2SA1462-T1B-Y33		5TAAB00164
TR19	TRANSISTOR	2SA1462-T1B-Y33		5TAAB00164
15 TR20	TRANSISTOR	2SA1462-T1B-Y33		5TAAB00164
TR21	TRANSISTOR	2SA1462-T1B-Y33		5TAAB00164
TR22	TRANSISTOR	2SC3735-T2B-B34		5TCAB01478
TR29	TRANSISTOR	2SC3735-T2B-B34		5TCAB01478
XU1	CRYSTAL OSC	SG8002JF-PCM-12.311M HZ-B		5XNBV00156
20 XU2	CRYSTAL OSC	SG8002JF-PHM-4.9152M HZ-TE1608L	4.9152MHZ	5XNBRO0248
XU3	CRYSTAL OSC	SG8002JF-PCM-25.176M HZ-B		5XNBV00157

25

30

35

## PARTS LIST

		TITLE		SHEET NO.
		テ"ンゲ"ンタ"ンシハ"ンカイロ	CBD-1638	1/6
PART NO	PART NAME	TYPE	DESCRIPTION	CODE
AR1	CAP.VARISTOR	MFCH06D300		5TZDU00004
AR2	VARISTOR	MFCN14D431K		5TZDU00011
AR3	CAP.VARISTOR	MFCH06D300		5TZDU00004
AR4	CAP.VARISTOR	MFCH06D300		5TZDU00004
5 C1	CAP,FXD PLSTC	ECQV1J104JMW		5CRIS00012
C2	CAP,FXD ELCTLT	EEUFC1J471		5CEAA04713
C3	CAP,FXD CER	DD12-63B472K500	4700P	5CAAA03364
C4	CAP,FXD CER	DD12-63B472K500	4700P	5CAAA03364
C5	CAP,FXD ELCTLT	EEUFC1J471		5CEAA04713
10 C6	CAP,FXD CER	C1608X7R1H104KT	50V 0.1UF	5CAAD03563
C7	CAP,FXD ELCTLT	EEUFC1E470		5CEAA04741
C8	CAP,FXD CER	C1608X7R1H104KT	50V 0.1UF	5CAAD03563
C9	CAP,FXD ELCTLT	EEUFC1E470		5CEAA04741
C10	CAP,FXD ELCTLT	EEUFC1E470		5CEAA04741
15 C11	CAP,FXD PLSTC	ECQV1J104JMW		5CRIS00012
C12	CAP,FXD CER	C1608CH1H102JT	50V 0.001UF	5CAAD03502
C13	CAP,FXD CER	C1608X7R1H104KT	50V 0.1UF	5CAAD03563
C14	CAP,FXD CER	C1608CH1H102JT	50V 0.001UF	5CAAD03502
C15	CAP,FXD PLSTC	ECQV1J104JMW		5CRIS00012
20 C16	CAP,FXD ELCTLT	EEUFC1V221L		5CEAA04919
C17	CAP,FXD CER	C1608X7R1H104KT	50V 0.1UF	5CAAD03563
C18	CAP,FXD ELCTLT	EEUFC1J182		5CEAA05058
C19	CAP,FXD CER	C1608X7R1H104KT	50V 0.1UF	5CAAD03563
C20	CAP,FXD ELCTLT	EEUFC1A122S		5CEAU00394
25 C21	CAP,FXD CER	C1608X7R1H104KT	50V 0.1UF	5CAAD03563
C22	CAP,FXD ELCTLT	EEUFC1A472L		5CEAU00392
C24	CAP,FXD CER	C1608X7R1H104KT	50V 0.1UF	5CAAD03563
C25	CAP,FXD ELCTLT	EEUFC1E222		5CEAA04550
C27	CAP,FXD CER	C1608X7R1H104KT	50V 0.1UF	5CAAD03563
30 C28	CAP,FXD CER	C1608X7R1H104KT	50V 0.1UF	5CAAD03563
C29	CAP,FXD ELCTLT	EEUFC1A122S		5CEAU00394
C30	CAP,FXD CER	DEHC32H102KA2B		5CBAB04089
C31	CAP,FXD CER	DEHC32H102KA2B		5CBAB04089
C32	CAP,FXD CER	DD07-63B102K500		5CBAB03086
35 C33	CAP,FXD CER	C1608X7R1H104KT	50V 0.1UF	5CAAD03563

## PARTS LIST

		TITLE		SHEET NO.
		テ"ンケ"ンタ"シハ"ンカイロ	CBD-1638	2/6
PART NO	PART NAME	TYPE	DESCRIPTION	CODE
C34	CAP,FXD PLSTC	ECQV1J104JMW		5CRIS00012
C36	CAP,FXD CER	C1608X7R1H104KT	50V 0.1UF	5CAAD03563
C39	CAP,FXD CER	C1608X7R1H104KT	50V 0.1UF	5CAAD03563
C40	CAP,FXD ELCTLT	EEUFC1A122S		5CEAU00394
C41	CAP,FXD ELCTLT	EEUFC1E561		5CEAA04807
5	C42	CAP,FXD ELCTLT	EEUFC1E561	5CEAA04807
C50	CAP,FXD ELCTLT	EEUFC1E561		5CEAA04807
C51	CAP,FXD CER	C1608X7R1H104KT	50V 0.1UF	5CAAD03563
C52	CAP,FXD ELCTLT	EEUFC1E561		5CEAA04807
10	C53	CAP,FXD TANTAL	267M1602 105MR	16V 1UF
C54	CAP,FXD TANTAL	267M1602 105MR	16V 1UF	5CSAC01360
C55	CAP,FXD TANTAL	267M1602 105MR	16V 1UF	5CSAC01360
C56	CAP,FXD TANTAL	267M1602 105MR	16V 1UF	5CSAC01360
C57	CAP,FXD CER	C1608X7R1H104KT	50V 0.1UF	5CAAD03563
15	C58	CAP,FXD CER	C1608X7R1H104KT	50V 0.1UF
C59	CAP,FXD CER	C1608X7R1H104KT	50V 0.1UF	5CAAD03563
CD1	DIODE	RM4AM	30A 600V	5TXAN00306
CD2	DIODE	02CZ11-Z-TE85R		5TXAD01069
CD3	DIODE	1SS193-TE85L		5TXAD00422
20	CD4	DIODE	1SS193-TE85L	5TXAD00422
CD5	ダ"イオ-ト"	U1DL44A-TE12L		5TZAD00755
CD6	DIODE	02CZ3.9-Z-TE85L		5TZAD00787
CD7	DIODE	1SS193-TE85L		5TXAD00422
CD8	DIODE	U1GWJ44-TE12L		5TXAD00932
25	CD9	ダ"イオ-ト"	U1DL44A-TE12L	5TZAD00755
CD10	DIODE	5DL2C48A		5TXAD01216
CD11	DIODE	5FL2C48A		5TXAD01217
CD12	ダ"イオ-ト"	U1DL44A-TE12L		5TZAD00755
CD13	DIODE	1SS193-TE85L		5TXAD00422
30	CD14	DIODE	1SS193-TE85L	5TXAD00422
CD15	DIODE	1SS193-TE85L		5TXAD00422
CD16	DIODE	1SS193-TE85L		5TXAD00422
CD17	ダ"イオ-ト"	U1DL44A-TE12L		5TZAD00755
CD18	ダ"イオ-ト"	U1DL44A-TE12L		5TZAD00755
35	CD19	ダ"イオ-ト"	U1DL44A-TE12L	5TZAD00755

## PARTS LIST

		TITLE		SHEET NO.
		テ"ンゲ"ンタツシハ"ンカイロ	CBD-1638	3/6
PART NO	PART NAME	TYPE	DESCRIPTION	CODE
F1	ヒュ-ス"	MINISMDM160-2		5ZFWR00008
F2	SWITCH	SMD185-2		5SZCX00025
F3	SWITCH	SMD185-2		5SZCX00025
FL1	COIL	H-7LCRD0057		7LCRD0057
5 FL2	フィルタ	DSS6NB32A102Q55B		5NXAA00318
FL3	フィルタ	DSS6NB32A102Q55B		5NXAA00318
FL4	フィルタ	DSS6NB32A102Q55B		5NXAA00318
FL5	フィルタ	DSS6NB32A102Q55B		5NXAA00318
FL6	フィルタ	DSS6NB32A102Q55B		5NXAA00318
10 FL7	フィルタ	DSS6NB32A102Q55B		5NXAA00318
FL8	フィルタ	DSS6NB32A102Q55B		5NXAA00318
FL9	フィルタ	DSS6NB32A102Q55B		5NXAA00318
FL10	フィルタ	DSS6NB32A102Q55B		5NXAA00318
FL11	フィルタ	DSS6NB32A102Q55B		5NXAA00318
15 FL12	フィルタ	DSS6NB32A102Q55B		5NXAA00318
FL13	フィルタ	DSS6NB32A102Q55B		5NXAA00318
FL14	COIL	SN-5-400	48UH 2A	5LCAL00002
FL15	チヨ-クコイル	HP-034SZ		5LGAB00061
FL16	チヨ-クコイル	HP-034SZ		5LGAB00061
20 FL17	OSC UNIT	NFW31SP206X1E4L	20MHZ 25V 200MA	5ENAD00263
FL18	OSC UNIT	NFW31SP206X1E4L	20MHZ 25V 200MA	5ENAD00263
FL19	OSC UNIT	NFW31SP206X1E4L	20MHZ 25V 200MA	5ENAD00263
FL20	OSC UNIT	NFW31SP206X1E4L	20MHZ 25V 200MA	5ENAD00263
FL21	OSC UNIT	NFW31SP206X1E4L	20MHZ 25V 200MA	5ENAD00263
25 IC1	IC	UPC494G-T1		5DAAA00740
IC2	IC	UPC2933AT		5DAAA00794
IC3	IC	MAX483EESA-TG068		5DDED00661
IC4	IC	AM26LV31CNSR		5DDAL03404
IC5	IC	HIN232CB-T		5DABL00035
30 IC6	IC	TL431CPK		5DDAL03060
IC7	IC	TL431CPK		5DDAL03060
IC8	IC	L88M05T-FA	L78M05	5DADD00016
J1	CONNECTOR	SRCN2A16-7P-TH		5JCAC00727
J2	CONNECTOR	SRCN2A25-16P-TH		5JCAC00843
35 J3	コネクタ	7-281-5PG-300		5JWHZ00079

## PARTS LIST

		TITLE		SHEET NO.
		テ"ンケ"ンタ"シハ"ンカイロ	CBD-1638	4/6
PART NO	PART NAME	TYPE	DESCRIPTION	CODE
J4	CONNECTOR	LTW-14MP-C		5JCDX00002
J5	CONNECTOR	LTW-8MP-C		5JCDX00010
J6	CONNECTOR	7-281-3PG-300		5JCDW00001
J7	CONNECTOR	D02-M15STF-21L9		5JDAC00054
J8	CONNECTOR	DE-9P-T-N	9P	5JBAF00846
J5001	CONNECTOR	DF11-30DP-2DSA		5JDAA01409
J5002	CONNECTOR	DF11-24DP-2DSA		5JDAA01477
J5003	CONNECTOR	B10P-VH		5JWAP00151
J5004	CONNECTOR	IL-3P-S3EN2		5JWAD00041
K1	RELAY	HY1-DC12V		5KLAD01021
K2	RELAY	JM1AN-TMP-DC12V		5KLAD01005
K3	RELAY	HY1-DC12V		5KLAD01021
L1	フィルタ	SN12-500J		5NXBS00002
L2	フィルタ	SN12-500J		5NXBS00002
L9	COIL	LHL10NB221K		5LCAA01205
PC501	PCB	H-7PCRD1634C		7PCRD1634C
PD501	プリント基板	H-7PDRD0143C		7PDRD0143C
PHT1	フォトカプラ	TLP181(GR-TPL)		5DZAD00414
PHT2	フォトカプラ	TLP181(GR-TPL)		5DZAD00414
PHT3	フォトカプラ	TLP181(GR-TPL)		5DZAD00414
PHT4	フォトカプラ	TLP181(GR-TPL)		5DZAD00414
R1	RESISTOR FXD	ERJ12YJ103U		5REAG06252
R2	RESISTOR FXD	ERJ-6GEYJ472V	1/10W 4.7K OHM	5REAG01823
R3	RESISTOR FXD	ERJ-6GEYJ472V	1/10W 4.7K OHM	5REAG01823
R4	RESISTOR FXD	ERJ-6GEYJ563V	1/10W 56K OHM	5REAG02274
R5	RESISTOR FXD	ERJ-6GEYJ332V	3.3K OHM ,1/10W	5REAG02262
R6	RESISTOR FXD	ERJ12YJ103U		5REAG06252
R7	RESISTOR FXD	ERJ-6GEYJ473V	47K OHM ,1/10W	5REAG02331
R8	RESISTOR FXD	ERJ-6GEYJ222V	1/10W 2.2K OHM	5REAG02011
R9	RESISTOR FXD	ERJ-6GEYJ103V	1/10W 10K OHM	5REAG02017
R10	RESISTOR FXD	ERJ-6GEYJ103V	1/10W 10K OHM	5REAG02017
R11	RESISTOR FXD	ERJ-6GEYJ103V	1/10W 10K OHM	5REAG02017
R12	RESISTOR FXD	ERJ-6GEYJ472V	1/10W 4.7K OHM	5REAG01823
R13	RESISTOR FXD	ERJ-6GEYJ222V	1/10W 2.2K OHM	5REAG02011
R14	RESISTOR FXD	ERJ-6GEYJ162V		5REAG03081



## PARTS LIST

		TITLE			SHEET NO.
		テラケラタシハカイロ		CBD-1638	5/6
PART NO	PART NAME	TYPE	DESCRIPTION	CODE	
R15	RESISTOR FXD	ERJ-6GEYJ222V	1/10W 2.2K OHM	5REAG02011	
R16	RESISTOR FXD	ERJ-6GEYJ472V	1/10W 4.7K OHM	5REAG01823	
R17	RESISTOR FXD	ERJ-6GEYJ153V	15K OHM 1/10W	5REAG02022	
R18	RESISTOR FXD	ERJ-6GEYJ511V	1/10W 510 OHM	5REAG02722	
R19	RESISTOR FXD	ERJ-6GEYJ103V	1/10W 10K OHM	5REAG02017	
5					
R20	RESISTOR FXD	ERJ-6GEYJ102V	1/10W 1K OHM	5REAG01814	
R21	RESISTOR FXD	ERJ-6GEYJ102V	1/10W 1K OHM	5REAG01814	
R22	RESISTOR FXD	ERJ-6GEYJ222V	1/10W 2.2K OHM	5REAG02011	
R23	RESISTOR FXD	ERJ-6GEYJ912V	9.1K OHM	5REAG02603	
R24	RESISTOR FXD	ERJ-6GEYJ472V	1/10W 4.7K OHM	5REAG01823	
10					
R25	RESISTOR FXD	ERJ12YJ100U		5REAG06035	
R26	RESISTOR FXD	ERG-2ANJ681	2W 680OHM	5REAG00372	
R27	RESISTOR FXD	ERJ1WYJ121U		5REAG06192	
R28	RESISTOR FXD	ERJ1WYJ121U		5REAG06192	
R29	RESISTOR FXD	ERJ1WYJ121U		5REAG06192	
15					
R30	RESISTOR FXD	ERJ-6GEYJ103V	1/10W 10K OHM	5REAG02017	
R31	RESISTOR FXD	ERJ-6GEYJ471V	470 OHM ,1/10W	5REAG01827	
R32	RESISTOR FXD	ERJ-6GEYJ472V	1/10W 4.7K OHM	5REAG01823	
R33	RESISTOR FXD	ERJ1WYJ220U		5REAG05989	
R34	RESISTOR FXD	ERJ1WYJ220U		5REAG05989	
20					
R35	RESISTOR FXD	ERJ12YJ150U		5REAH00293	
R36	RESISTOR FXD	ERJ-6GEYJ104V	1/10W 100K OHM	5REAG02020	
R37	RESISTOR FXD	ERJ1WYJ220U		5REAG05989	
R38	RESISTOR FXD	ERJ1WYJ220U		5REAG05989	
R40	RESISTOR FXD	ERJ12YJ100U		5REAG06035	
25					
R41	RESISTOR FXD	ERJ-14YJ102U		5REAG06198	
R50	RESISTOR FXD	ERJ-6GEYJ222V	1/10W 2.2K OHM	5REAG02011	
R51	RESISTOR FXD	ERJ-6GEYJ222V	1/10W 2.2K OHM	5REAG02011	
R52	RESISTOR FXD	ERJ-6GEYJ222V	1/10W 2.2K OHM	5REAG02011	
R53	RESISTOR FXD	ERJ-6GEYJ222V	1/10W 2.2K OHM	5REAG02011	
30					
R54	RESISTOR FXD	ERJ-12YJ121U	1/2W 120 OHM	5REAG06093	
R55	RESISTOR FXD	ERJ-6GEYJ471V	470 OHM ,1/10W	5REAG01827	
R56	RESISTOR FXD	ERJ-6GEYJ472V	1/10W 4.7K OHM	5REAG01823	
R57	RESISTOR FXD	ERJ-12YJ240U		5REAG06363	
R58	RESISTOR FXD	ERJ-12YJ240U		5REAG06363	
35					

## PARTS LIST

		TITLE		SHEET NO
		テ"ンケ"ンタ"ンシハ"ンカイロ	CBD-1638	6/6
PART NO	PART NAME	TYPE	DESCRIPTION	CODE
R59	RESISTOR FXD	ERJ-6GEYJ471V	470 OHM ,1/10W	5REAG01827
R60	RESISTOR FXD	ERJ-6GEYJ472V	1/10W 4.7K OHM	5REAG01823
RV1	RESISTOR	CT-6P 1K OHM		5RZAY00055
T1	TRANSFORMER	H-7LTRD0243		7LTRD0243
5 TB1	TERMINAL	FFC-3AMEP1	3P	5JTCA00037
TB2	SHORT PLUG	DIC-252	2P SHORT	5JWCP00048
TP15	TERMINAL	LC-2-G RED		5JTCW00013
TP16	TERMINAL	LC-2-G BLK		5JTCW00001
TR1	TRANSISTOR	2SC4209Y-TE85L		5TCAF01081
10 TR2	TRANSISTOR	2SB1452R		5TBAL00011
TR3	TRANSISTOR	2SA1162-YTE85L		5TAAG00182
TR4	TRANSISTOR	2SC2712Y TE85L		5TAAG00186
TR5	TRANSISTOR	2SC2712Y TE85L		5TAAG00186
TR6	TRANSISTOR	2SA1244Y(LB)-TE16L		5TAAG00434
15 TR7	TRANSISTOR	2SK2401		5TKAA00376
TR8	TRANSISTOR	2SC2712Y TE85L		5TAAG00186
TR9	TRANSISTOR	2SB1452R		5TBAL00011
TR10	TRANSISTOR	2SK2401		5TKAA00376
TR11	TRANSISTOR	2SB1452R		5TBAL00011

20

25

30

35

PARTS LIST

		TITLE		SHEET NO.
		ソウサフキナイ	CML-671	1/1
PART NO	PART NAME	TYPE	DESCRIPTION	CODE
W1	ケーブル	H-7ZCNA0856A		7ZCNA0856A
W2	ケーブル	H-7ZCNA0855B		7ZCNA0855B

5

10

15

20

25

30

35

## PARTS LIST

		TITLE		SHEET NO.
		ハ°ネルカイド	CCK-892	1/8
PART NO	PART NAME	TYPE	DESCRIPTION	CODE
B1	フゝサ-	PKM44EW-1001C		5UBAS00025
C1	CAP,FXD CER	C1608JF1H104ZT		5CAAD03485
C2	CAP,FXD ELCTLT	EEVHA1E470P		5CEAA04054
C3	CAP,FXD CER	C1608JF1H104ZT		5CAAD03485
C4	CAP,FXD ELCTLT	EEVHA1E470P		5CEAA04054
C5	CAP,FXD CER	C1608JF1H104ZT		5CAAD03485
C6	CAP,FXD ELCTLT	EEVHA1E470P		5CEAA04054
C7	CAP,FXD CER	C1608JF1H104ZT		5CAAD03485
C8	CAP,FXD ELCTLT	EEVHA1E470P		5CEAA04054
C9	CAP,FXD ELCTLT	EEVHA1E470P		5CEAA04054
C10	CAP,FXD CER	C1608JF1H104ZT		5CAAD03485
C11	CAP,FXD CER	C1608JF1H104ZT		5CAAD03485
C12	CAP,FXD ELCTLT	EEVHA1E470P		5CEAA04054
C13	CAP,FXD CER	C1608JF1H104ZT		5CAAD03485
C14	CAP,FXD ELCTLT	EEVHA1E470P		5CEAA04054
C15	CAP,FXD CER	C1608JF1H104ZT		5CAAD03485
C16	CAP,FXD ELCTLT	EEVHA1E470P		5CEAA04054
C17	CAP,FXD CER	C1608JF1H104ZT		5CAAD03485
C18	CAP,FXD CER	C1608X7R1H103KT	50V 0.01UF	5CAAD02683
C19	CAP,FXD CER	C1608X7R1H103KT	50V 0.01UF	5CAAD02683
C20	CAP,FXD CER	C1608JF1H104ZT		5CAAD03485
C21	CAP,FXD CER	C1608JF1H104ZT		5CAAD03485
C22	CAP,FXD CER	C1608JF1H104ZT		5CAAD03485
C23	CAP,FXD CER	C1608JF1H104ZT		5CAAD03485
C24	CAP,FXD CER	C1608JF1H104ZT		5CAAD03485
C25	CAP,FXD CER	C1608JF1H104ZT		5CAAD03485
C26	CAP,FXD TANTAL	267M1602 475MR533		5CSAC01769
C27	CAP,FXD ELCTLT	EEVHA1E470P		5CEAA04054
C28	CAP,FXD ELCTLT	EEVHA1E470P		5CEAA04054
C29	CAP,FXD TANTAL	267M2502 474MR	25V 0.47UF	5CSAC01615
C30	CAP,FXD CER	C1608JF1H104ZT		5CAAD03485
C50	CAP,FXD CER	C1608JF1H104ZT		5CAAD03485
C51	CAP,FXD ELCTLT	EEVHA1E470P		5CEAA04054
C52	CAP,FXD CER	C1608JF1H104ZT		5CAAD03485
C53	CAP,FXD ELCTLT	EEVHA1E470P		5CEAA04054

PARTS LIST

		TITLE		SHEET NO.
		ハ°ネルカイロ	CCK-892	2/8
PART NO	PART NAME	TYPE	DESCRIPTION	CODE
C54	CAP,FXD ELCTLT	EEVHA1E470P		5CEAA04054
C100	CAP,FXD CER	C1608JF1H104ZT		5CAAD03485
C101	CAP,FXD CER	C1608JF1H104ZT		5CAAD03485
C102	CAP,FXD CER	C1608JF1H104ZT		5CAAD03485
C103	CAP,FXD CER	C1608JF1H104ZT		5CAAD03485
5	C104	CAP,FXD CER	C1608JF1H104ZT	5CAAD03485
	C105	CAP,FXD CER	C1608JF1H104ZT	5CAAD03485
	C106	CAP,FXD CER	C1608JF1H104ZT	5CAAD03485
	C107	CAP,FXD CER	C1608JF1H104ZT	5CAAD03485
10	C108	CAP,FXD CER	C1608JF1H104ZT	5CAAD03485
	C109	CAP,FXD CER	C1608JF1H104ZT	5CAAD03485
	C110	CAP,FXD CER	C1608JF1H104ZT	5CAAD03485
	C111	CAP,FXD CER	C1608JF1H104ZT	5CAAD03485
	C112	CAP,FXD CER	C1608JF1H104ZT	5CAAD03485
15	C113	CAP,FXD CER	C1608JF1H104ZT	5CAAD03485
	C114	CAP,FXD CER	C1608JF1H104ZT	5CAAD03485
	C115	CAP,FXD CER	C1608JF1H104ZT	5CAAD03485
	CD1	DIODE	1SS193-TE85L	5TXAD00422
	CD2	DIODE	1SS193-TE85L	5TXAD00422
20	CD10	LED	CL-150G-CD-T	5TZET00007
	CD11	LED	CL-150G-CD-T	5TZET00007
	CD12	LED	CL-150G-CD-T	5TZET00007
	CD13	LED	CL-150G-CD-T	5TZET00007
	CD14	LED	CL-150G-CD-T	5TZET00007
25	CD15	LED	CL-150G-CD-T	5TZET00007
	CD16	LED	CL-150G-CD-T	5TZET00007
	CD17	LED	CL-150G-CD-T	5TZET00007
	CD18	LED	CL-150G-CD-T	5TZET00007
	CD19	LED	CL-150G-CD-T	5TZET00007
30	CD20	LED	CL-150G-CD-T	5TZET00007
	CD21	LED	CL-150G-CD-T	5TZET00007
	CD22	LED	CL-150G-CD-T	5TZET00007
	CD23	LED	CL-150G-CD-T	5TZET00007
	CD24	LED	CL-150G-CD-T	5TZET00007
35	CD25	LED	CL-150G-CD-T	5TZET00007

## PARTS LIST

		TITLE		SHEET NO.
		ハ°ネルカイロ	CCK-892	3/8
PART NO	PART NAME	TYPE	DESCRIPTION	CODE
CD26	LED	CL-150G-CD-T		5TZET00007
CD27	LED	CL-150G-CD-T		5TZET00007
CD28	LED	CL-150G-CD-T		5TZET00007
CD29	LED	CL-150G-CD-T		5TZET00007
5 CD30	LED	CL-150G-CD-T		5TZET00007
CD31	LED	CL-150G-CD-T		5TZET00007
CD32	LED	CL-150G-CD-T		5TZET00007
CD33	LED	CL-150G-CD-T		5TZET00007
CD34	LED	CL-150G-CD-T		5TZET00007
10 CD35	LED	CL-150G-CD-T		5TZET00007
CD36	LED	CL-150G-CD-T		5TZET00007
CD37	LED	CL-150G-CD-T		5TZET00007
CD38	LED	CL-150G-CD-T		5TZET00007
CD39	LED	CL-150G-CD-T		5TZET00007
15 CD40	LED	CL-150G-CD-T		5TZET00007
CD41	LED	CL-150G-CD-T		5TZET00007
CD42	LED	CL-150G-CD-T		5TZET00007
CD43	LED	CL-150G-CD-T		5TZET00007
CD44	LED	CL-150G-CD-T		5TZET00007
20 CD45	LED	CL-150G-CD-T		5TZET00007
CD46	LED	CL-150G-CD-T		5TZET00007
CD47	LED	CL-150G-CD-T		5TZET00007
CD48	LED	CL-150G-CD-T		5TZET00007
CD49	LED	CL-150G-CD-T		5TZET00007
25 CD50	LED	CL-150G-CD-T		5TZET00007
CD51	LED	CL-150G-CD-T		5TZET00007
CD52	LED	CL-150G-CD-T		5TZET00007
CD53	LED	CL-150G-CD-T		5TZET00007
CD54	LED	CL-150G-CD-T		5TZET00007
30 CD55	LED	CL-150G-CD-T		5TZET00007
CD56	LED	CL-150G-CD-T		5TZET00007
CD57	LED	CL-150G-CD-T		5TZET00007
CD58	LED	CL-150G-CD-T		5TZET00007
CD59	LED	CL-150G-CD-T		5TZET00007
35 CD60	DIODE	1SS193-TE85L		5TXAD00422

## PARTS LIST

		TITLE		SHEET NO.
		ハ°ネルカイロ	CCK-892	4/8
PART NO	PART NAME	TYPE	DESCRIPTION	CODE
CD61	LED	CL-150G-CD-T		5TZET00007
CD62	LED	CL-150G-CD-T		5TZET00007
CD63	LED	CL-150G-CD-T		5TZET00007
CD64	LED	CL-150G-CD-T		5TZET00007
5 CD65	LED	CL-150G-CD-T		5TZET00007
CD66	LED	CL-150G-CD-T		5TZET00007
CD67	LED	CL-150G-CD-T		5TZET00007
CD68	LED	CL-150G-CD-T		5TZET00007
CD69	LED	CL-150G-CD-T		5TZET00007
10 CD70	LED	CL-150G-CD-T		5TZET00007
CD71	LED	CL-150G-CD-T		5TZET00007
CD72	LED	CL-150G-CD-T		5TZET00007
CD73	LED	CL-150G-CD-T		5TZET00007
CD74	LED	CL-150G-CD-T		5TZET00007
15 CD75	LED	CL-150G-CD-T		5TZET00007
CD76	LED	CL-150G-CD-T		5TZET00007
CD77	LED	CL-150G-CD-T		5TZET00007
CD78	LED	CL-150G-CD-T		5TZET00007
CD79	LED	CL-150G-CD-T		5TZET00007
20 CD80	LED	CL-150G-CD-T		5TZET00007
CD81	DIODE	1SS193-TE85L		5TXAD00422
CD82	DIODE	1SS193-TE85L		5TXAD00422
CD83	DIODE	1SS193-TE85L		5TXAD00422
CD84	DIODE	1SS193-TE85L		5TXAD00422
25 CD85	DIODE	1SS193-TE85L		5TXAD00422
FL1	COIL	SN-3-200		5LLAA00032
FL2	COIL	SN-3-200		5LLAA00032
FL3	CAP,FXD CER	NFM21CC223R1H3D	50V22000PF 1A	5CBAB03493
FL4	CAP,FXD CER	NFM21CC223R1H3D	50V22000PF 1A	5CBAB03493
30 IC1	IC	HD64F2138ATF20		5DDAF03175
IC2	IC	TA7805S		5DAAD00642
IC3	IC	TC4093BF(EL,N)		5DDAE03322
IC4	IC	TC4013BF(EL,N)		5DDAE03323
IC5	IC	S-80845CNMC-B86-T2		5DVIV00006
35 IC6	IC	TC74HC74AF(EL)		5DDAE01810

## PARTS LIST

		TITLE		SHEET NO.
		ハ°ネルカイロ	CCK-892	5/8
PART NO	PART NAME	TYPE	DESCRIPTION	CODE
IC7	IC	NJM2904M-T1		5DAAN00405
IC8	IC	AM26LS31CNSR		5DDAL03491
IC9	IC	UPD4701AGT		5DDAC01073
IC12	IC	TC74HC14AF-TP1		5DDAE01466
5 IC13	IC	TC74HC86AF-EL		5DDAE02427
IC14	IC	TC74HC00AF (EL)		5DDAE01811
J1	CONNECTOR	B14B-PH-K-S	14P	5JWAP00337
J2	CONNECTOR	B6B-PH-K-S	6P	5JWAP00233
J3	コネクタ	S3B-PH-SM3-TB		5JWAP00750
10 JT30	コネクタ	SPH-002T-PO.5L		5JWAP00453
JT31	コネクタ	SPH-002T-PO.5L		5JWAP00453
K1	RELAY	AQV214SX	1A	5KGAG00097
P3	コネクタ	PHR-3		5JWAP00235
PC401	PCB	H-7PCRD1635B	7PDRD0144B 1×	7PCRD1635B
15 PD401	7°リットハッ	H-7PDRD0144B	7PCRD1635B 1×	7PDRD0144B
PHT1	IC	TLP181(GB-TPL)		5DZAD00457
PHT2	IC	TLP181(GB-TPL)		5DZAD00457
PHT3	IC	TLP181(GB-TPL)		5DZAD00457
PHT4	IC	TLP181(GB-TPL)		5DZAD00457
20 PHT5	IC	TLP181(GB-TPL)		5DZAD00457
R1	RESISTOR FXD	ERJ12YJ680U		5REAG06332
R2	RESISTOR FXD	ERJ-6GEYJ103V	1/10W 10K OHM	5REAG02017
R3	RESISTOR FXD	ERJ-6GEYJ103V	1/10W 10K OHM	5REAG02017
R4	RESISTOR FXD	ERJ-6GEYJ103V	1/10W 10K OHM	5REAG02017
25 R5	RESISTOR FXD	ERJ-6GEYJ472V	1/10W 4.7K OHM	5REAG01823
R6	RESISTOR FXD	ERJ-6GEYJ101V	1/10W 100 OHM	5REAG01854
R7	RESISTOR FXD	ERJ-6GEYJ104V	1/10W 100K OHM	5REAG02020
R8	RESISTOR FXD	ERJ-6GEYJ104V	1/10W 100K OHM	5REAG02020
R9	RESISTOR FXD	ERJ-6GEYJ103V	1/10W 10K OHM	5REAG02017
30 R10	RESISTOR FXD	ERJ-6GEYJ104V	1/10W 100K OHM	5REAG02020
R11	RESISTOR FXD	ERJ-6GEYJ104V	1/10W 100K OHM	5REAG02020
R12	RESISTOR FXD	ERJ-6GEYJ103V	1/10W 10K OHM	5REAG02017
R13	RESISTOR FXD	ERJ-6GEYJ102V	1/10W 1K OHM	5REAG01814
R14	RESISTOR FXD	ERJ-6GEYJ103V	1/10W 10K OHM	5REAG02017
35 R15	RESISTOR FXD	ERJ-6GEYJ472V	1/10W 4.7K OHM	5REAG01823



## PARTS LIST

		TITLE		SHEET NO.
		ハ°ネルカイロ	CCK-892	6/8
PART NO	PART NAME	TYPE	DESCRIPTION	CODE
R16	RESISTOR FXD	ERJ-6GEYJ220V	22 OHM 1/10W	5REAG01901
R17	RESISTOR FXD	ERJ-6GEYJ102V	1/10W 1K OHM	5REAG01814
R18	RESISTOR FXD	ERJ-6GEYJ102V	1/10W 1K OHM	5REAG01814
R19	RESISTOR FXD	ERJ-6GEYJ102V	1/10W 1K OHM	5REAG01814
5 R20	RESISTOR FXD	ERJ-6GEYJ471V	470 OHM ,1/10W	5REAG01827
R21	RESISTOR FXD	ERJ-6GEYJ472V	1/10W 4.7K OHM	5REAG01823
R22	RESISTOR FXD	ERJ-6GEYJ103V	1/10W 10K OHM	5REAG02017
R23	RESISTOR FXD	ERJ-6GEYJ103V	1/10W 10K OHM	5REAG02017
R24	RESISTOR FXD	ERJ-6GEYJ103V	1/10W 10K OHM	5REAG02017
10 R25	RESISTOR FXD	ERJ-6GEYJ153V	15K OHM 1/10W	5REAG02022
R26	RESISTOR FXD	ERJ-6GEYJ103V	1/10W 10K OHM	5REAG02017
R27	RESISTOR FXD	ERJ-6GEYJ103V	1/10W 10K OHM	5REAG02017
R28	RESISTOR FXD	ERJ-6GEYJ153V	15K OHM 1/10W	5REAG02022
R29	RESISTOR FXD	ERJ-6GEYJ332V	3.3K OHM ,1/10W	5REAG02262
15 R30	RESISTOR FXD	ERJ12YJ680U		5REAG06332
R31	RESISTOR FXD	ERJ12YJ680U		5REAG06332
R32	RESISTOR FXD	ERJ12YJ680U		5REAG06332
R33	RESISTOR FXD	ERJ-6GEYJ473V	47K OHM ,1/10W	5REAG02331
R34	RESISTOR FXD	ERJ-6GEYJ103V	1/10W 10K OHM	5REAG02017
20 R35	RESISTOR FXD	ERJ-6GEYJ101V	1/10W 100 OHM	5REAG01854
R36	RESISTOR FXD	ERJ-6GEYJ101V	1/10W 100 OHM	5REAG01854
R37	RESISTOR FXD	ERJ-6GEYJ101V	1/10W 100 OHM	5REAG01854
R38	RESISTOR FXD	ERJ-6GEYJ101V	1/10W 100 OHM	5REAG01854
R39	RESISTOR FXD	ERJ-6GEYJ472V		5REAG03675
25 R40	RESISTOR FXD	ERJ-6GEYJ222V		5REAG03688
R41	RESISTOR FXD	ERJ-6GEYJ472V	1/10W 4.7K OHM	5REAG01823
R42	RESISTOR FXD	ERJ-6GEYJ103V	1/10W 10K OHM	5REAG02017
R43	RESISTOR FXD	ERJ-6GEYJ472V	1/10W 4.7K OHM	5REAG01823
R44	RESISTOR FXD	ERJ-6GEYJ103V	1/10W 10K OHM	5REAG02017
30 R45	RESISTOR FXD	ERJ-6GEYJ103V	1/10W 10K OHM	5REAG02017
R50	RESISTOR FXD	ERJ-6GEYJ103V	1/10W 10K OHM	5REAG02017
R51	RESISTOR FXD	ERJ-6GEYJ103V	1/10W 10K OHM	5REAG02017
R52	RESISTOR FXD	ERJ-6GEYJ103V	1/10W 10K OHM	5REAG02017
R53	RESISTOR FXD	ERJ-6GEYJ103V	1/10W 10K OHM	5REAG02017
35 R54	RESISTOR FXD	ERJ-6GEYJ471V		5REAG03685

## PARTS LIST

		TITLE		SHEET NO.
		ハ°ネルカイロ	CCK-892	7/8
PART NO	PART NAME	TYPE	DESCRIPTION	CODE
R55	RESISTOR FXD	ERJ-6GEYJ471V		5REAG03685
R56	RESISTOR FXD	ERJ-6GEYJ471V		5REAG03685
R57	RESISTOR FXD	ERJ-6GEYJ471V		5REAG03685
R58	RESISTOR FXD	ERJ-6GEYJ471V		5REAG03685
R59	RESISTOR FXD	ERJ-6GEYJ471V		5REAG03685
R60	RESISTOR FXD	ERJ-6GEYJ471V		5REAG03685
R61	RESISTOR FXD	ERJ-6GEYJ471V		5REAG03685
R62	RESISTOR FXD	ERJ-6GEYJ471V		5REAG03685
R63	RESISTOR FXD	ERJ-6GEYJ471V		5REAG03685
R64	RESISTOR FXD	ERJ-6GEYJ471V		5REAG03685
R65	RESISTOR FXD	ERJ-6GEYJ471V		5REAG03685
R66	RESISTOR FXD	ERJ-14YJ391U	1/4W 390 OHM	5REAG06165
R67	RESISTOR FXD	ERJ-6GEYJ472V	1/10W 4.7K OHM	5REAG01823
R68	RESISTOR FXD	ERJ-6GEYJ472V	1/10W 4.7K OHM	5REAG01823
R69	RESISTOR FXD	ERJ-6GEYJ471V		5REAG03685
R70	RESISTOR FXD	ERJ-6GEYJ471V		5REAG03685
R71	RESISTOR FXD	ERJ-6GEYJ471V		5REAG03685
R72	RESISTOR FXD	ERJ-6GEYJ471V		5REAG03685
R73	RESISTOR FXD	ERJ-6GEYJ471V		5REAG03685
R74	RESISTOR FXD	ERJ-6GEYJ103V	1/10W 10K OHM	5REAG02017
R75	RESISTOR FXD	ERJ-6GEYJ103V	1/10W 10K OHM	5REAG02017
R76	RESISTOR FXD	ERJ-6GEYJ103V	1/10W 10K OHM	5REAG02017
R77	RESISTOR FXD	ERJ-6GEYJ103V	1/10W 10K OHM	5REAG02017
R78	RESISTOR FXD	ERJ-6GEYJ103V	1/10W 10K OHM	5REAG02017
R79	RESISTOR FXD	ERJ-6GEYJ103V	1/10W 10K OHM	5REAG02017
RV1	RESISTOR	RK1171114-5R4411 10K OHM B L=2		5RZBG00172
RV2	RESISTOR	RK1171114-5R4411 10K OHM B L=2		5RZBG00172
RV3	RESISTOR	RK1171114-5R4411 10K OHM B L=2		5RZBG00172
RV4	RESISTOR	RK1171114-5R4411 10K OHM B L=2		5RZBG00172
S1	SWITCH	JPM1110-0211		5SBAJ00041
S2	SWITCH	JPM1110-0211		5SBAJ00041
S3	SWITCH	JPM1110-0211		5SBAJ00041
S4	SWITCH	JPM1110-0211		5SBAJ00041
S5	SWITCH	JPM1110-0211		5SBAJ00041
S6	RESISTOR	EC11B15243BB		5RZBG00211

PARTS LIST

		TITLE		SHEET NO.
		ハ°ネルカド	CCK-892	8/8
PART NO	PART NAME	TYPE	DESCRIPTION	CODE
S7	SWITCH	JPM1110-0211		5SBAJ00041
S8	SWITCH	JPM1110-0211		5SBAJ00041
S9	SWITCH	JPM1110-0211		5SBAJ00041
S10	SWITCH	JPM1110-0211		5SBAJ00041
5 S11	SWITCH	JPM1110-0211		5SBAJ00041
S12	SWITCH	JPM1110-0211		5SBAJ00041
S13	SWITCH	JPM1110-0211		5SBAJ00041
S14	SWITCH	JPM1110-0211		5SBAJ00041
S15	SWITCH	JPM1110-0211		5SBAJ00041
10 S16	SWITCH	JPM1110-0211		5SBAJ00041
S17	SWITCH	JPM1110-0211		5SBAJ00041
S18	SWITCH	JPM1110-0211		5SBAJ00041
S19	SWITCH	JPM1110-0211		5SBAJ00041
S20	SWITCH	JPM1110-0211		5SBAJ00041
15 S21	SWITCH	JPM1110-0211		5SBAJ00041
TR1	TRANSISTOR	2SC2412K-T146		5TCBF00009
TR2	TRANSISTOR	2SC2412K-T146		5TCBF00009
TR3	TRANSISTOR	2SC2412K-T146		5TCBF00009
TR4	TRANSISTOR	2SD1415A		5TDAE00237
20 XU1	CRYSTAL OSC	SG8002JF-PHM-4.9152M 4.9152MHZ HZ-TE1608L		5XNBR00248
25				
30				
35				

PARTS LIST

		TITLE		SHEET NO.
		TRACKBALL UNIT	CHG-198	1/1
PART NO	PART NAME	TYPE	DESCRIPTION	CODE
Z401	トラックホッパール	TRD-101S(BK)		5HZDY00001

5

10

15

20

25

30

35

PARTS LIST

		TITLE		SHEET NO.
		LCD MODULE	CCN-371	1/1
PART NO	PART NAME	TYPE	DESCRIPTION	CODE
Z1	INDICATOR	H-7WSNA0701		7WSNA0701

5

10

15

20

25

30

35

## PARTS LIST

		TITLE		SHEET NO.
		DC-AC POWER	CBF-30	1/2
PART NO	PART NAME	TYPE	DESCRIPTION	CODE
C51	CAP,FXD ELCTLT	ECA1EHG472		5CEAA04554
C52	CAP,FXD ELCTLT	ECA-1HHG100	(50V)10U	5CEAA04556
C53	CAP,FXD ELCTLT	ECA1HHG470	(50V)47U	5CEAA04659
C54	CAP,FXD CER	GRM21BB11E334KC01L		5CAAA06008
C55	CAP,FXD ELCTLT	ECA1HHG470	(50V)47U	5CEAA04659
C56	CAP,FXD ELCTLT	ECA1HHG470	(50V)47U	5CEAA04659
C57	CAP,FXD CER	GRM21BB11E334KC01L		5CAAA06008
C58	CAP,FXD ELCTLT	ECA1HHG470	(50V)47U	5CEAA04659
C59	CAP,FXD ELCTLT	EEUFC1V471		5CEAA04549
C61	CAP,FXD CER	GRM21BB11E104KA01L	25V 0.1UF	5CAAA05890
C62	CAP,FXD CER	GRM21BB11C105KC01L	16V 1UF	5CCAA01480
C63	CAP,FXD CER	GRM21BB11E104KA01L	25V 0.1UF	5CAAA05890
C64	CAP,FXD CER	GRM40B473K25-PT	0.047U	5CBAB02699
C65	CAP,FXD CER	GRM21BB11E104KA01L	25V 0.1UF	5CAAA05890
C67	CAP,FXD CER	GRM40CH102J50PT		5CBAB02692
C68	CAP,FXD PLSTC	MFC-LH2A154K-T		5CRAH00088
C69	CAP,FXD CER	GRM21BB11E104KA01L	25V 0.1UF	5CAAA05890
C81	CAP,FXD CER	C4520COG3F180KT		5CAAB02193
C82	CAP,FXD CER	C4520COG3F180KT		5CAAB02193
CD61	DIODE	EC10QS03L		5TXAG00408
CD62	DIODE	EC10QS03L		5TXAG00408
IC51	IC	S-80845CNUA-B86-T2		5DVIV00001
IC52	HC	SI-3120CA		5DHAD00020
IC53	HC	SI-3120CA		5DHAD00020
IC61	IC	LT1768CGN		5DVAM00134
J51	CONNECTOR	DF3A-3P-2DSA		5JDAA01672
J52	CONNECTOR	DF11-4DP-2DSA		5JDAA01795
J61	CONNECTOR	DF3A-5P-2DSA		5JDAA01696
J81	コネクタ	SM02(8.0)B-BHS-1-TB		5JWAP00730
J82	コネクタ	SM02(8.0)B-BHS-1-TB		5JWAP00730
L62	COIL	SLF12555T-680M1R3		5LCAC02361
PC1	PCB	H-7PCNA0845B		7PCNA0845B
PD1	7°リコトハコ	H-7PDNA0725A	7PCNA0845B	7PDNA0725A
R51	RESISTOR FXD	ERJ-6ENF3002V		5REAG07166
R52	RESISTOR FXD	ERJ6ENF1502V		5REAH00313

## PARTS LIST

		TITLE		SHEET NO.
		DC-AC POWER	CBF-30	2/2
PART NO	PART NAME	TYPE	DESCRIPTION	CODE
R53	テイク	RE2012-104J-2B-T	100K $\times$ -L	4RETG0446
R54	テイク	RE2012-104J-2B-T	100K $\times$ -L	4RETG0446
R61	RESISTOR FXD	ERJ-6ENF2702V	27K OHM	5REAG03605
R62	テイク	RE2012-823J-2B-T	82K $\times$ -L	4RETG0444
R63	RESISTOR FXD	ERJ-6ENF2702V	27K OHM	5REAG03605
R65	テイク	RE2012-124J-2B-T	120K $\times$ -L	4RETG0448
R66	RESISTOR FXD	ERJ-6ENF3002V		5REAG07166
R67	RESISTOR FXD	ERJ6ENF9102V		5REAG07229
R68	RESISTOR FXD	ERJ6ENF9102V		5REAG07229
R69	テイク	RE3216-182J-2E-T	1.8K $\times$ -L	4RETG0574
R70	テイク	RE3216-182J-2E-T	1.8K $\times$ -L	4RETG0574
R71	テイク	RE3216-182J-2E-T	1.8K $\times$ -L	4RETG0574
R72	テイク	RE3216-182J-2E-T	1.8K $\times$ -L	4RETG0574
R73	テイク	RE2012-101J-2B-T	100 $\times$ -L	4RETG0374
R74	RESISTOR FXD	RL1220S-R10-F		5READ01923
R75	RESISTOR FXD	RL1220S-R10-F		5READ01923
T61	TRANSFORMER	H-7LTNA0701		7LTNA0701
TR51	TRANSISTOR	2SC2412K-T146		5TCBF00009
TR61	TRANSISTOR	2SD2403GZ-T1		5TDAB00169
TR62	TRANSISTOR	2SD2403GZ-T1		5TDAB00169
TR63	FET	IRF7201		5TZEL00009

25

30

35

## PARTS LIST

		TITLE		SHEET NO.
		FILTER UNIT	CBF-30-1	1/1
PART NO	PART NAME	TYPE	DESCRIPTION	CODE
C1	CAP,FXD PLSTC	ECQE1105JF	1U	5CRAA01638
C2	テコカイク	CE1052LD471M1H5	470U	4CETG0255
C3	CAP,FXD ELCTLT	EEUFC1V221		5CEAA04539
CD1	DIODE	20E2FC		5TXAG00405
J2	コネクタ	7-282-3PG-300		5JWHZ00015
J3	CONNECTOR	DF3A-3P-2DS		5JDAA01933
L1	COIL	SC-03-10G		5LGAB00050
PB1	フリップトハム	H-7PDNA0726		7PDNA0726
PC1	PCB	H-7PCNA0846		7PCNA0846

10

15

20

25

30

35



PARTS LIST

		TITLE		SHEET NO.
		POWER CABLE	CFQ-6900	1/1
PART NO	PART NAME	TYPE	DESCRIPTION	CODE
W1	ケーブル	H-7ZCNA0865B		7ZCNA0865B

5

10

15

20

25

30

35

PARTS LIST

		TITLE		SHEET NO.
		VIDEO CABLE	CFQ-6901	1/1
PART NO	PART NAME	TYPE	DESCRIPTION	CODE
W1	ケーブル	H-7ZCNA0866A		7ZCNA0866A

5

10

15

20

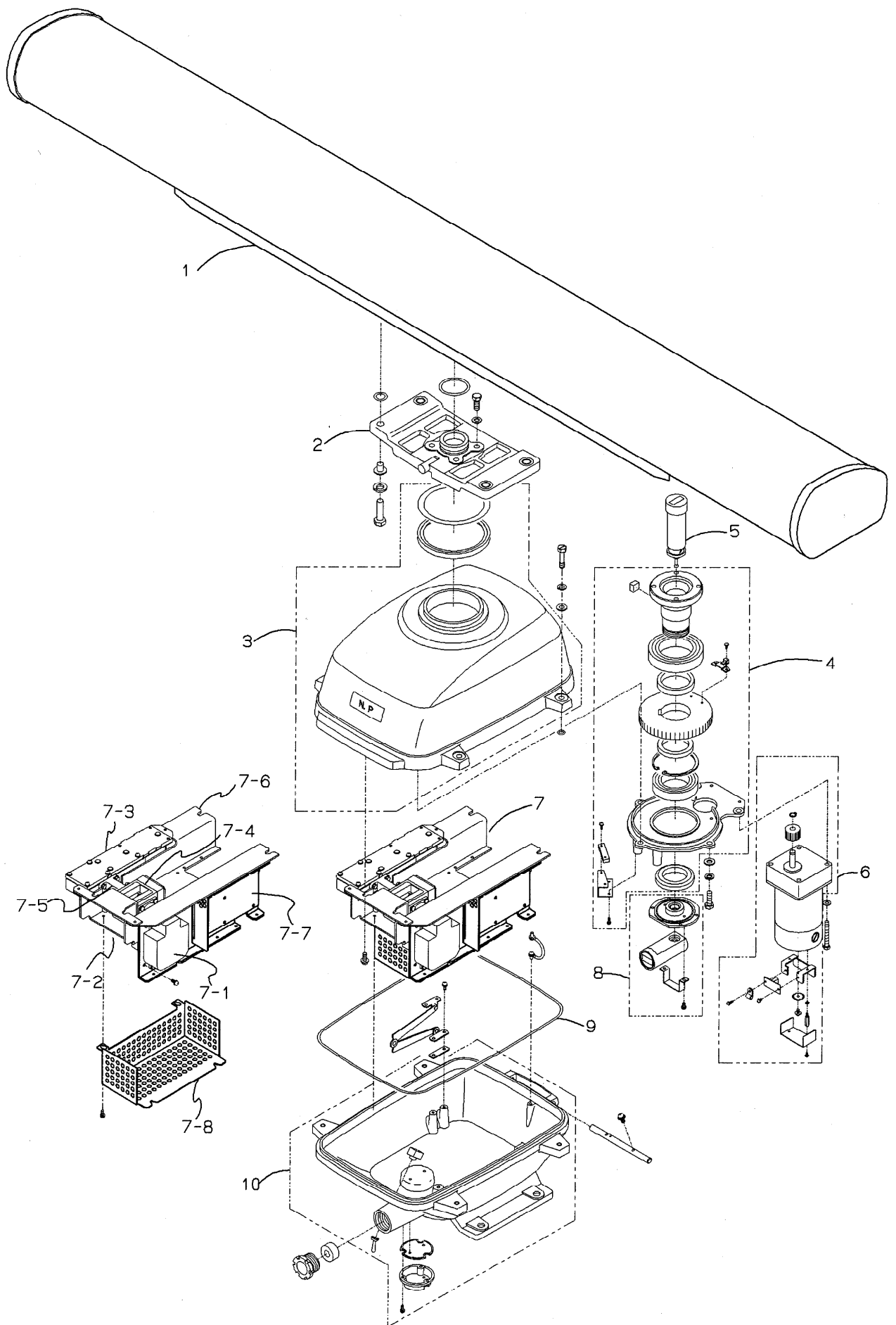
25

30

35

PARTS LIST  
SCANNER UNIT NKE-2102

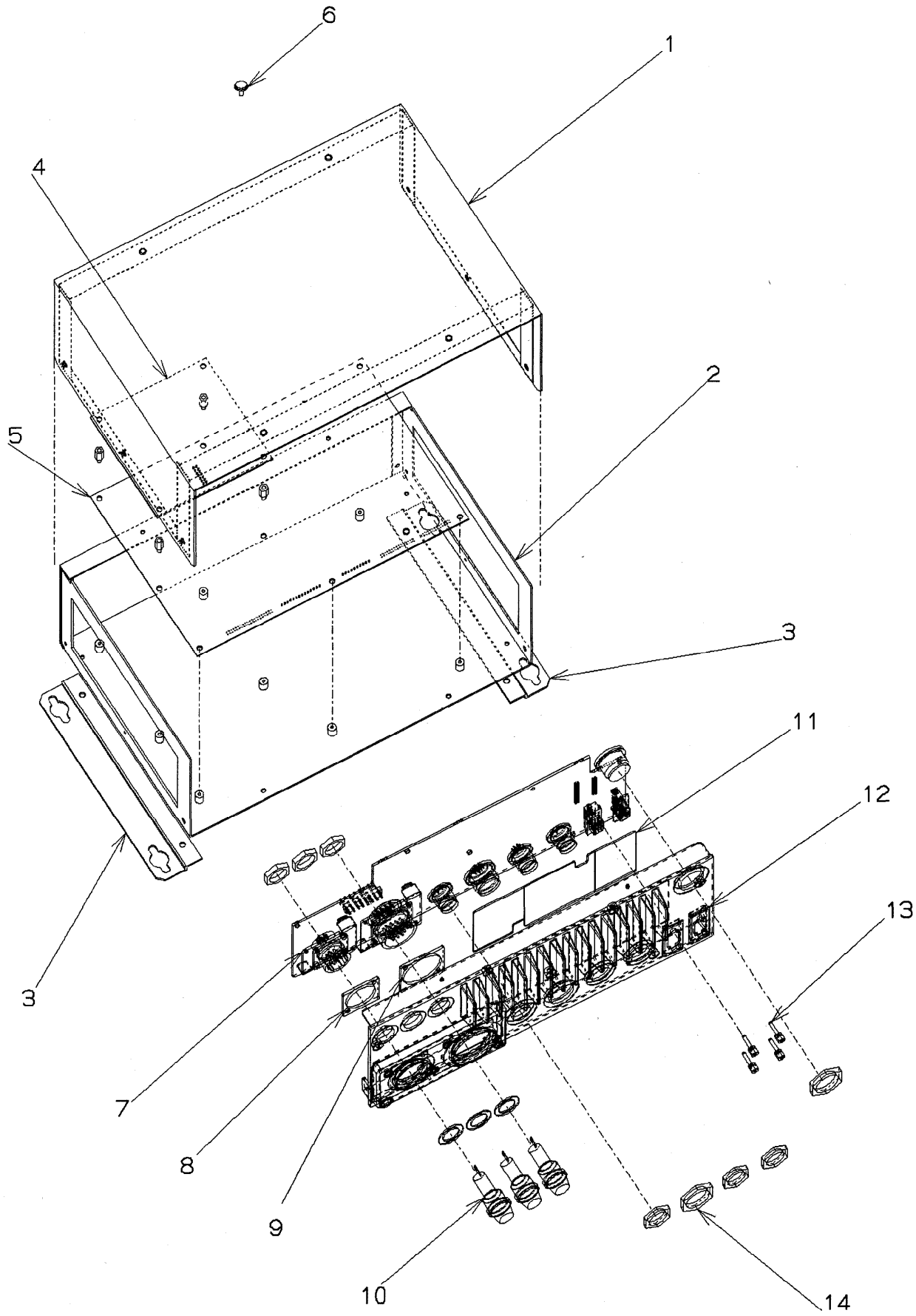
NO.	PART NAME	JRC CODE
1	RADIATOR	MPAE30315
2	ANTENNA SUPPORT ASSY	MPGK30781
3	UPPER HOUSING ASSY.	MPBX38807
4	MAIN SHAFT ASSY.	MPGK30782
5	ROTARY JOINT ASSY.	MPAB30186
6	MOTOR ASSY.	MPGK30609
7	TRANSCEIVER UNIT	MDNZT5012
7-1	MAGNETRON	-
7-2	MODULATOR UNIT	MDLW11444
7-3	RECEIVER UNIT	MDNRG5060
7-4	CIRCULATOR	-
7-5	DIODE LIMITER	-
7-6	CHASSIS	MPBX38805
7-7	POWER SUPPLY UNIT	MDBW10583
7-8	COVER	MTB366987
8	WAVE GUIDE ASSY.	MPAB31039
9	PACKING	-
10	LOWER HOUSING ASSY.	MPBX38806



NKE - 2102

**PARTS LIST**  
**PROCESSING UNIT NDC-1260**

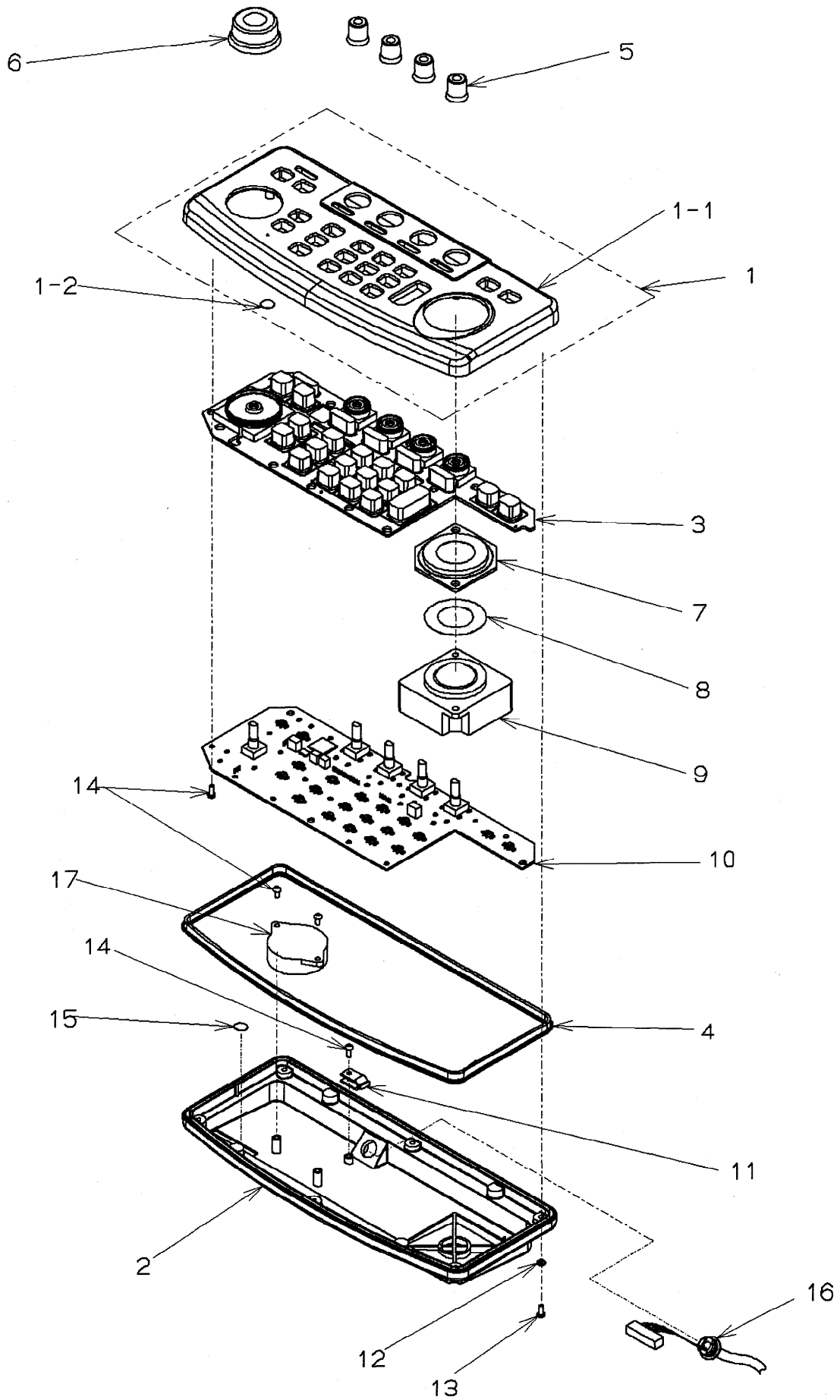
No.	PART NAME	JRC CODE
1	Cover Assy	MPBX39561
2	Chassis Assy	MPBX39655
3	Bracket	MTB364948
4	MARPA Unit(CDC-1140)	—
5	Control Unit(CMC-1190)	—
6	Screw	BRTG05364
7	Power Suply Unit(CBD-1638)	MDBW10549
8	Gasket 1	MTT308585
9	Gasket 2	MTT308586
10	Fuse	—
11	Heat Dissipation Seat	MTT308591
12	Heatthink	MPPK30497A
13	Special Bolt	MTL317364
14	Nut	—



NDC-1260

PARTS LIST  
KEYBOARD UNIT NCE-7640

No.	PART NAME	JRC CODE
1	Panel Assy	MPBC36986
1-1	Panel	MTV303624
1-2	Waterproof Sheet	BRPK05061
2	Cover	MTV303597
3	Rubber Key	MTV303625
4	Packing	MTV303600
5	φ 1.6 Knob	MPHD30277
6	φ 3.8 Knob	MPHD30284
7	Trackball Cover	MTV303599
8	Teflon Ring	MTT308975
9	Trackball	-
10	Keyboard Unit	-
11	Cable Clamp	BRBP05042
12	Washer, Rubber	MTT301458A
13	Screw	BRTG05854
14	Screw	BRTG05720
15	Waterproof Sheet	BRPK05061
16	Cable	-
17	Buzzer	-

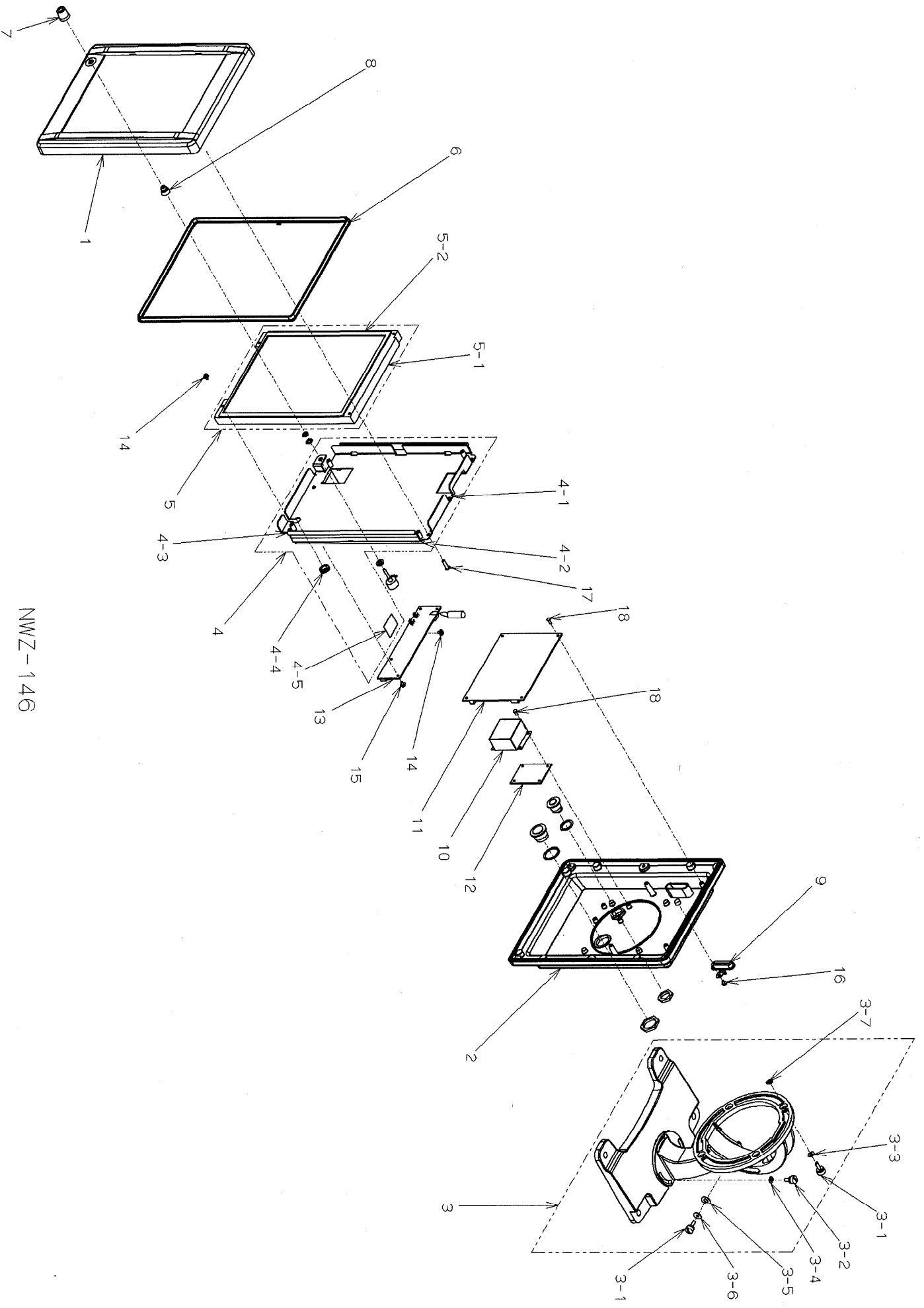


NCE-7640



PARTS LIST  
DISPLAY UNIT NWZ-146

No.	PART NAME	JRC CODE
1	Front Panel Assy	MPBC36963
2	Rear Panel Assy	MPBC36964
3	Display Stand	MPBX39578
3-1	Screw M4	MPTG31309
3-2	Screw M5	MPTG31308
3-3	Fiber Washer	MPTG00251
3-4	Fiber Washer	MPTG00255
3-5	Fiber Washer	MPTG00252
3-6	Washer	BRTG00218
3-7	Washer	BRTG06083
4	Chassis Assy	MPBX39638A
4-1	Chassis	MPBC36543
4-2	Gasket1	MPPK30980
4-3	Gasket2	MPPK30981
4-4	Rubber Ring	MPNG00006
4-5	Heat Dissipation Sheet	MTT308477
5	LCD Unit	MDCW10929
5-1	LCD (CCN-371)	-
5-2	Sponge Rubber	MTT308480
6	Packing	MTV303615
7	φ 1.6 Knob	MPHD30285
8	Grommet	MTV303616
9	Waterproof Cap	MTV303712
10	Cover	MTB364504
11	DC-AC Power Supply Unit (CBF-30)	-
12	Power Filter Unit (CBF-30-1)	-
13	RGB I/F Unit	-
14	NB 3 X 8 B s	BSNB03008B
15	NB 3 X 6 B s	BSNB03006B
16	NB 4 X 6 S U S	BRTG03525
17	Screw	BRTG07118
18	Screw	BRTG05719



NWZ-146