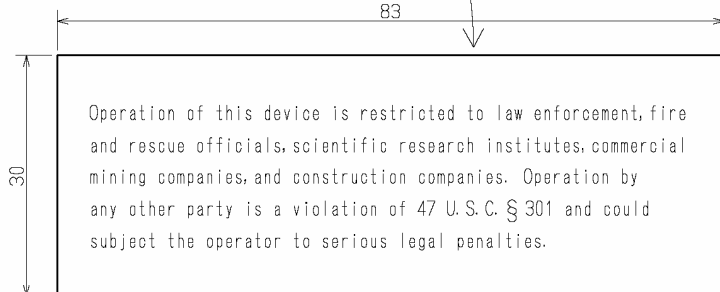


Operation of this device is restricted to law enforcement, fire and rescue officials, scientific research institutes, commercial mining companies, and construction companies. Operation by any other party is a violation of 47 U.S.C. § 301 and could subject the operator to serious legal penalties.

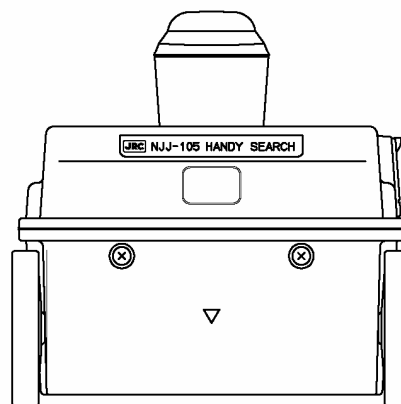
83



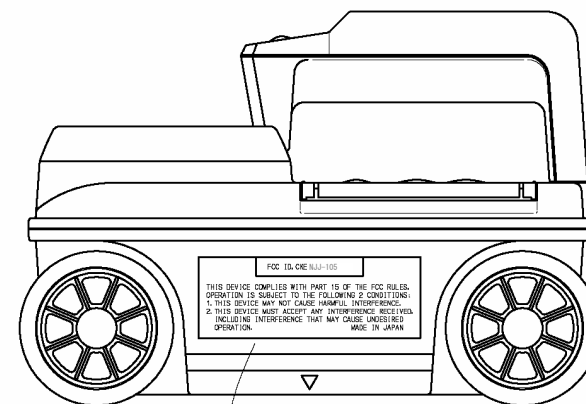
Operation of this device is restricted to law enforcement, fire and rescue officials, scientific research institutes, commercial mining companies, and construction companies. Operation by any other party is a violation of 47 U.S.C. § 301 and could subject the operator to serious legal penalties.

(SCALE 1:1)

MATERIAL: POLYESTER FILM t50μm
 CHARACTERS COLORS: BLACK
 BACKGROUND COLORS: SILVER



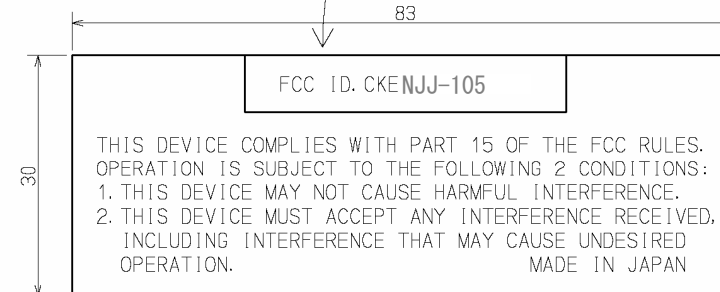
NJJ-105 HANDY SEARCH



FCC ID: CKNJJ-105

THIS DEVICE COMPLIES WITH PART 15 OF THE FCC RULES. OPERATION IS SUBJECT TO THE FOLLOWING 2 CONDITIONS:
 1. THIS DEVICE MAY NOT CAUSE HARMFUL INTERFERENCE.
 2. THIS DEVICE MUST ACCEPT ANY INTERFERENCE RECEIVED, INCLUDING INTERFERENCE THAT MAY CAUSE UNDESIRABLE OPERATION.
 MADE IN JAPAN

83



FCC ID: CKNJJ-105

THIS DEVICE COMPLIES WITH PART 15 OF THE FCC RULES. OPERATION IS SUBJECT TO THE FOLLOWING 2 CONDITIONS:
 1. THIS DEVICE MAY NOT CAUSE HARMFUL INTERFERENCE.
 2. THIS DEVICE MUST ACCEPT ANY INTERFERENCE RECEIVED, INCLUDING INTERFERENCE THAT MAY CAUSE UNDESIRABLE OPERATION.
 MADE IN JAPAN

(SCALE 1:1)

MATERIAL: POLYESTER FILM t50μm
 CHARACTERS COLORS: BLACK
 BACKGROUND COLORS: SILVER