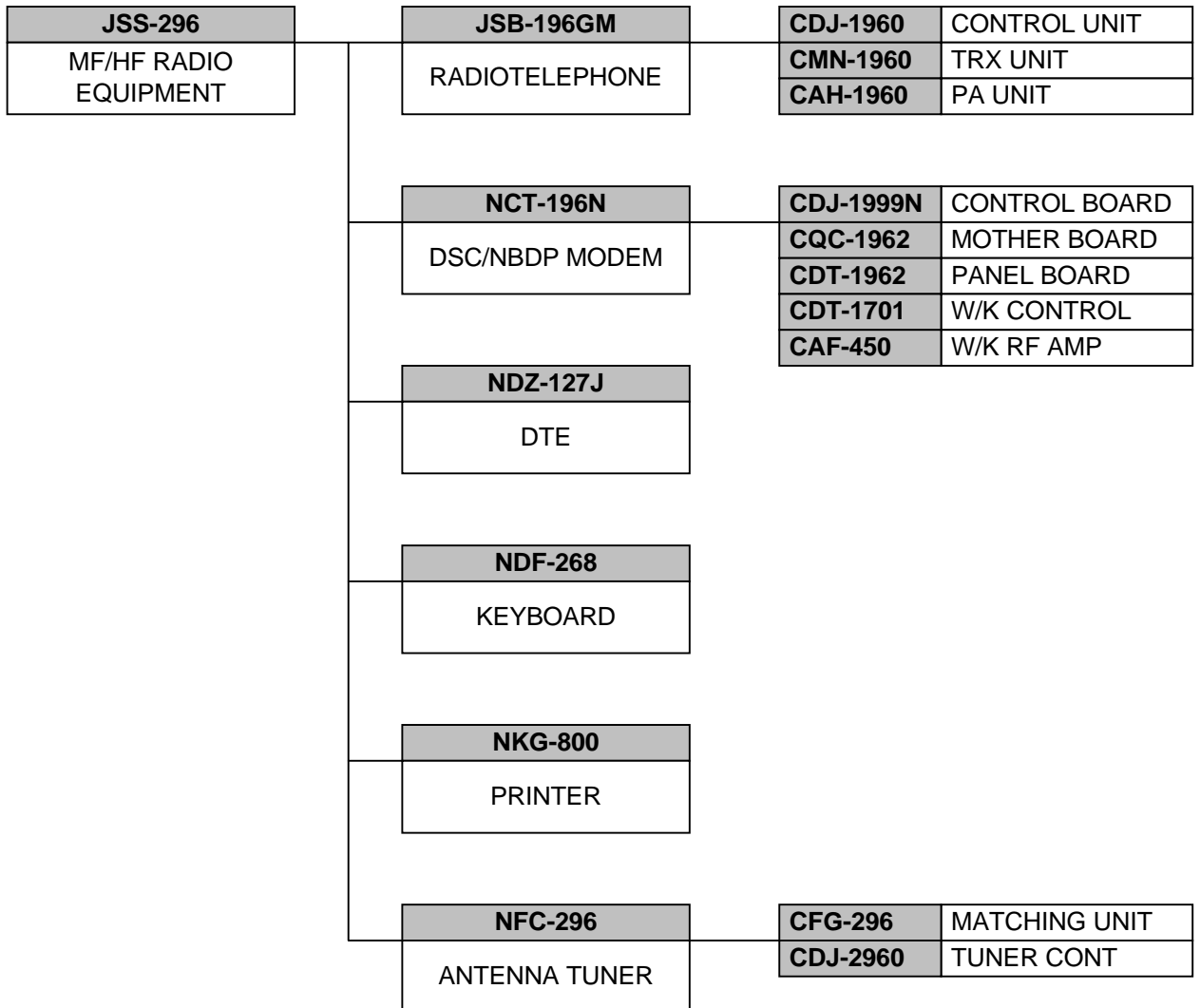
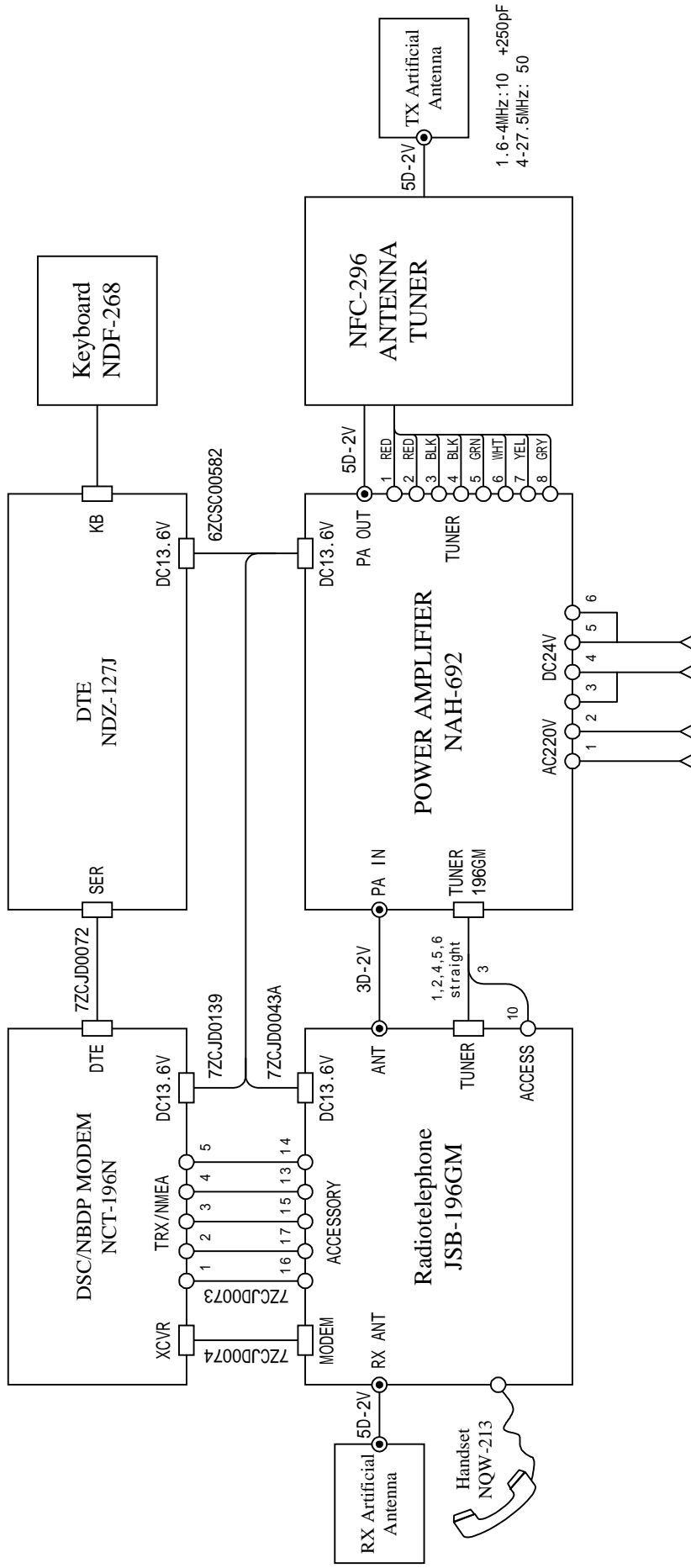
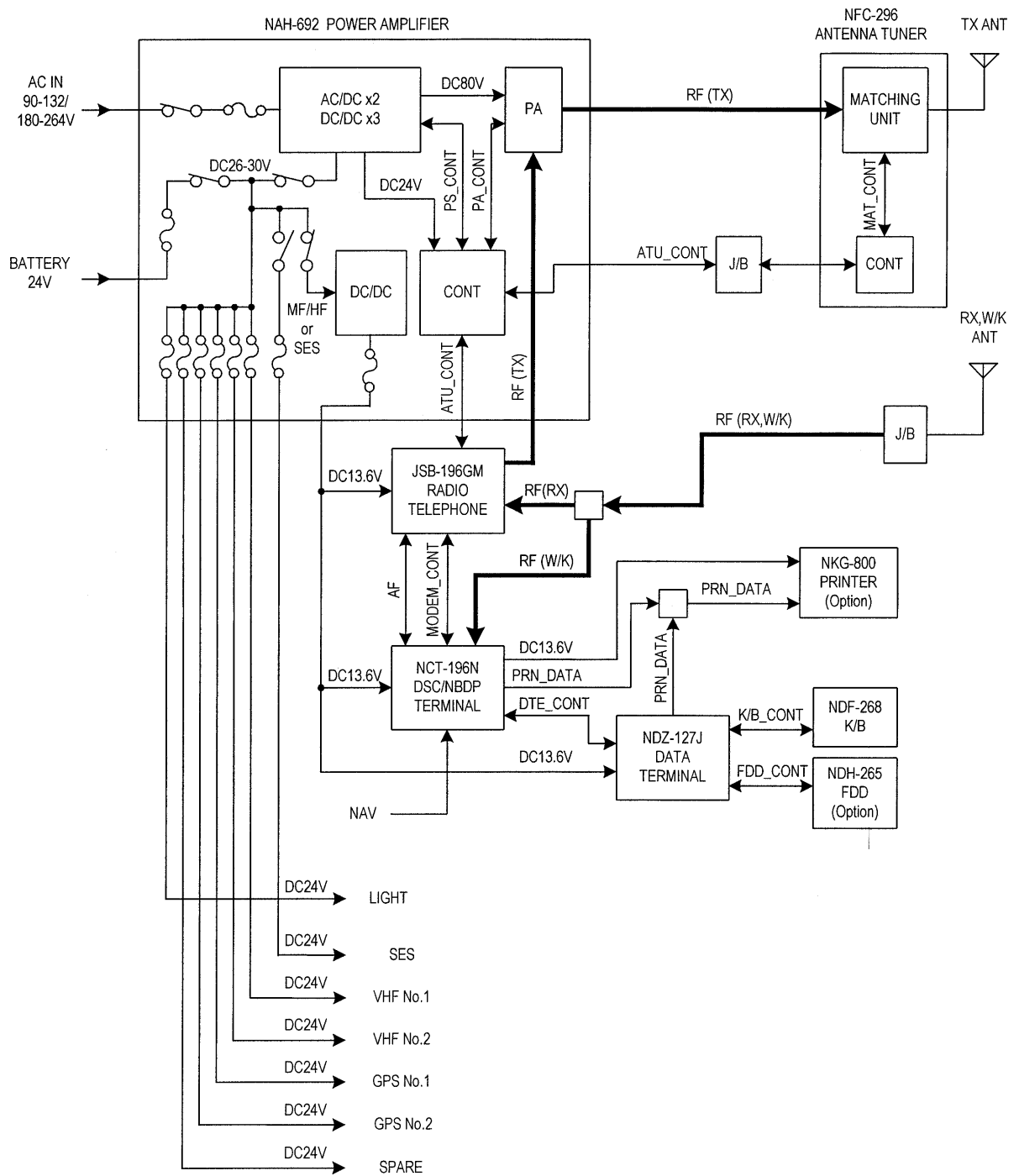


JSS-296 MF/HF RADIO EQUIPMENT

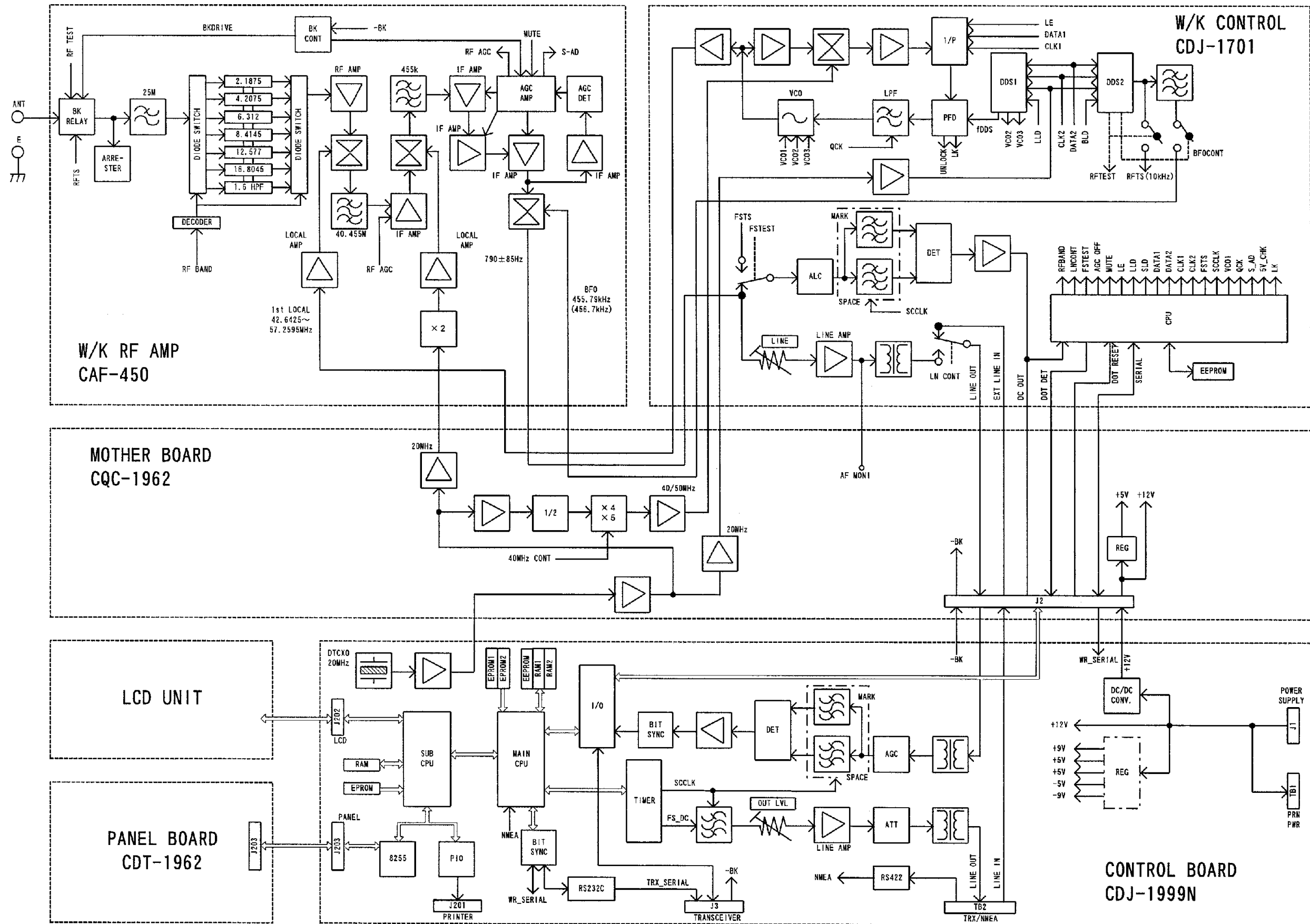




JSS-296 TEST CONFIGURATION

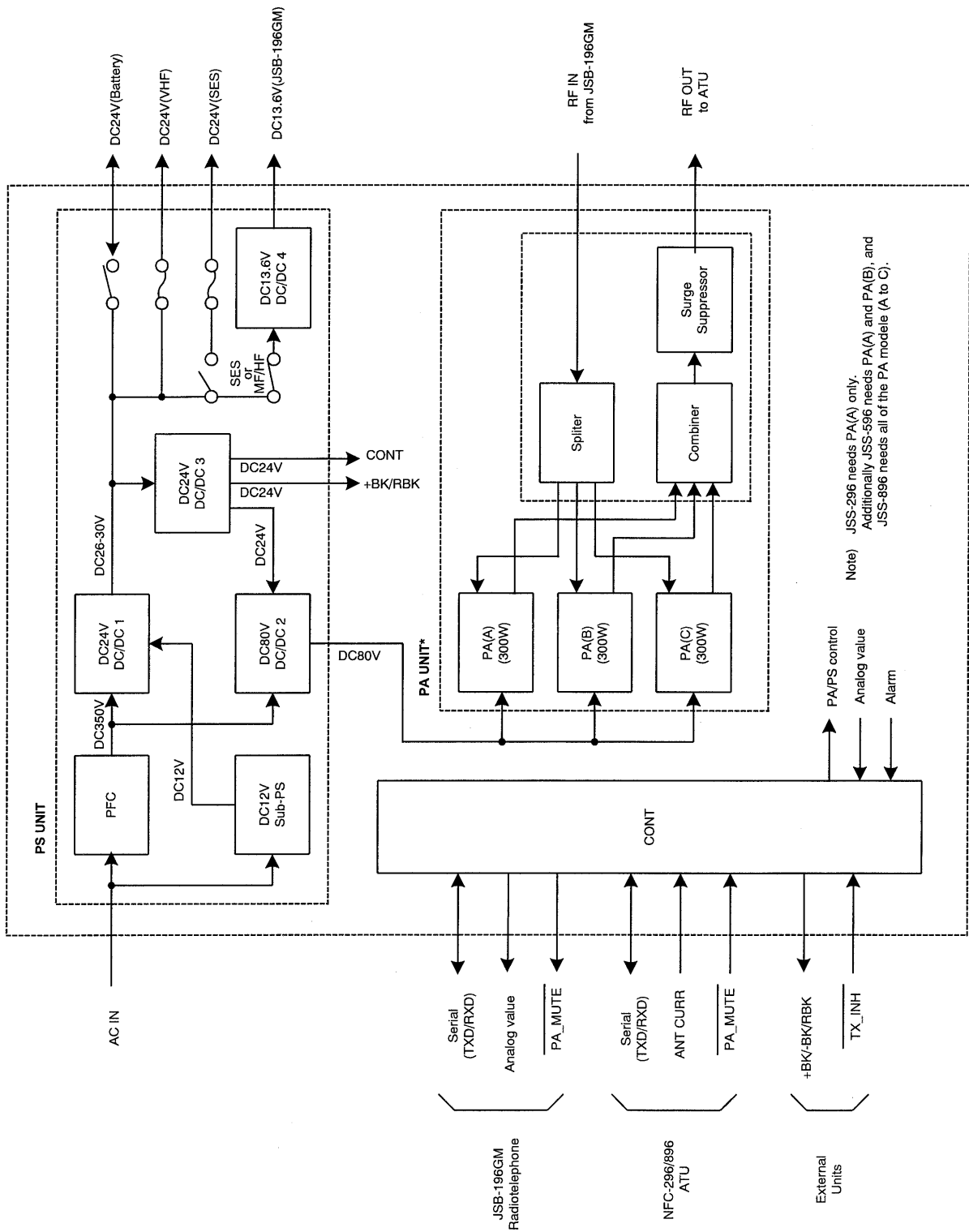


**JSS-296 MF/HF Radio Equipment
BLOCK DIAGRAM**

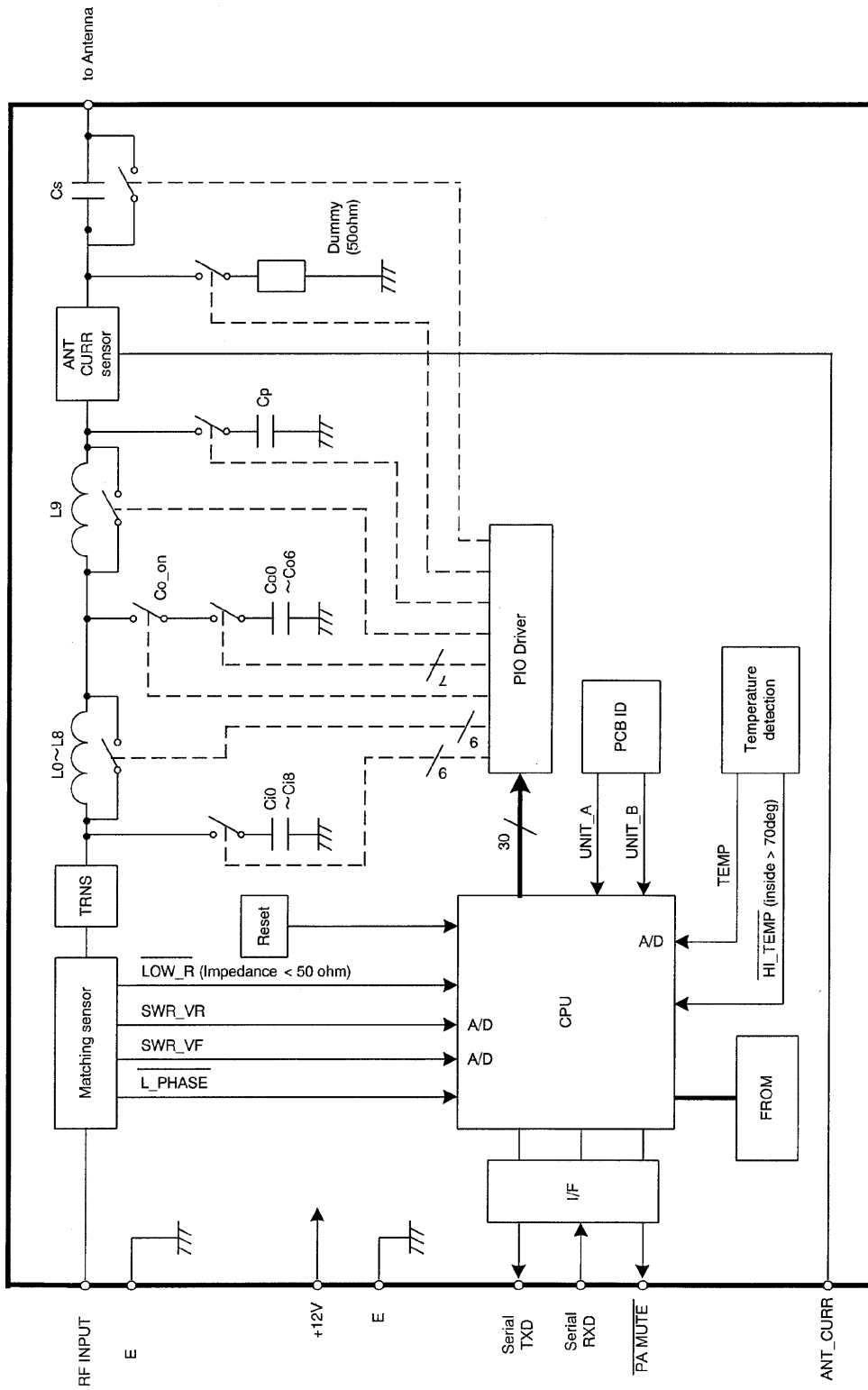


NCT-196N
BLOCK DIAGRAM

NAH-692/695/698 POWER AMPLIFIER

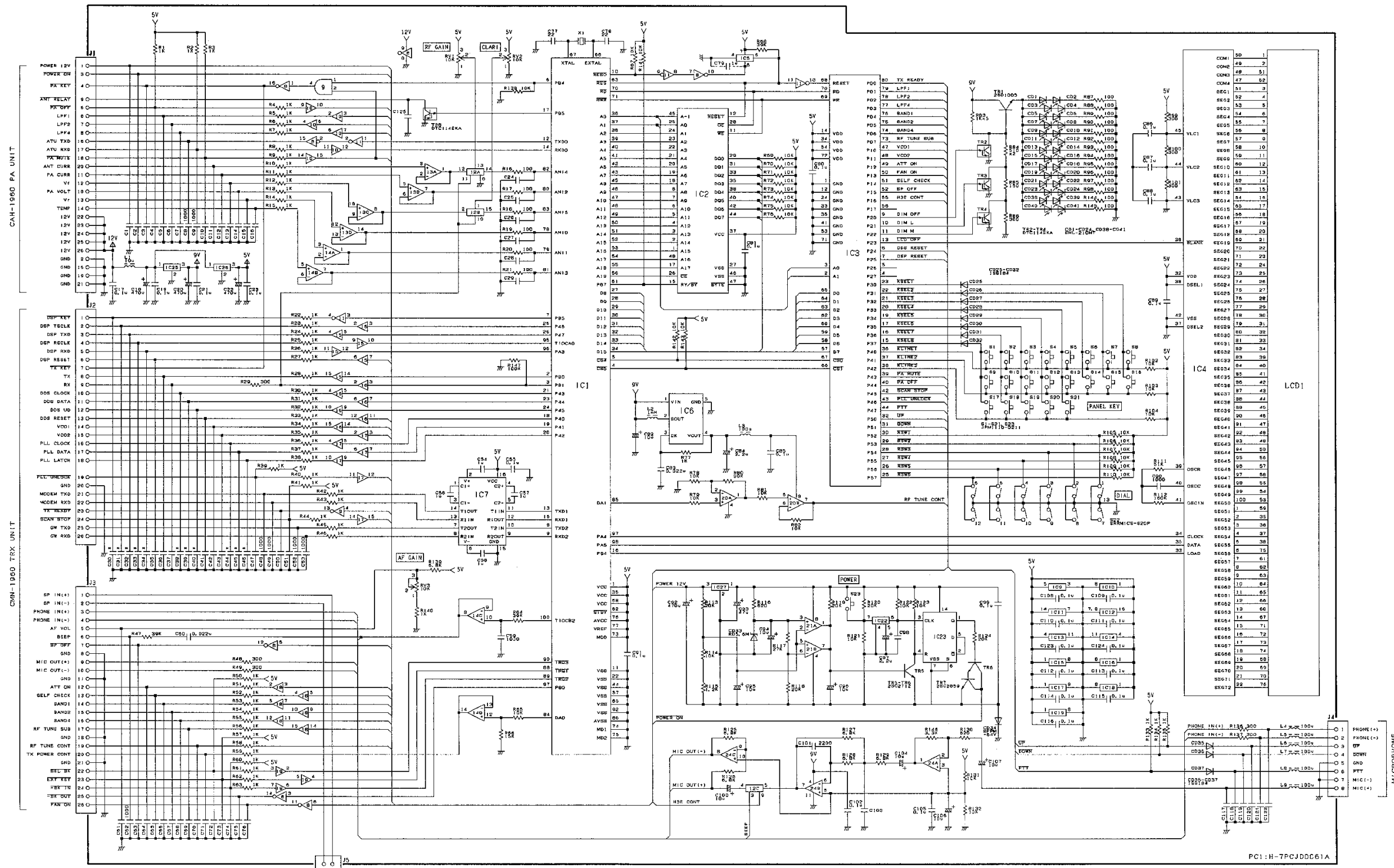


NAH-692
BLOCK DIAGRAM



JSB-196GM
Radiotelephone

**NFC-296
BLOCK DIAGRAM**

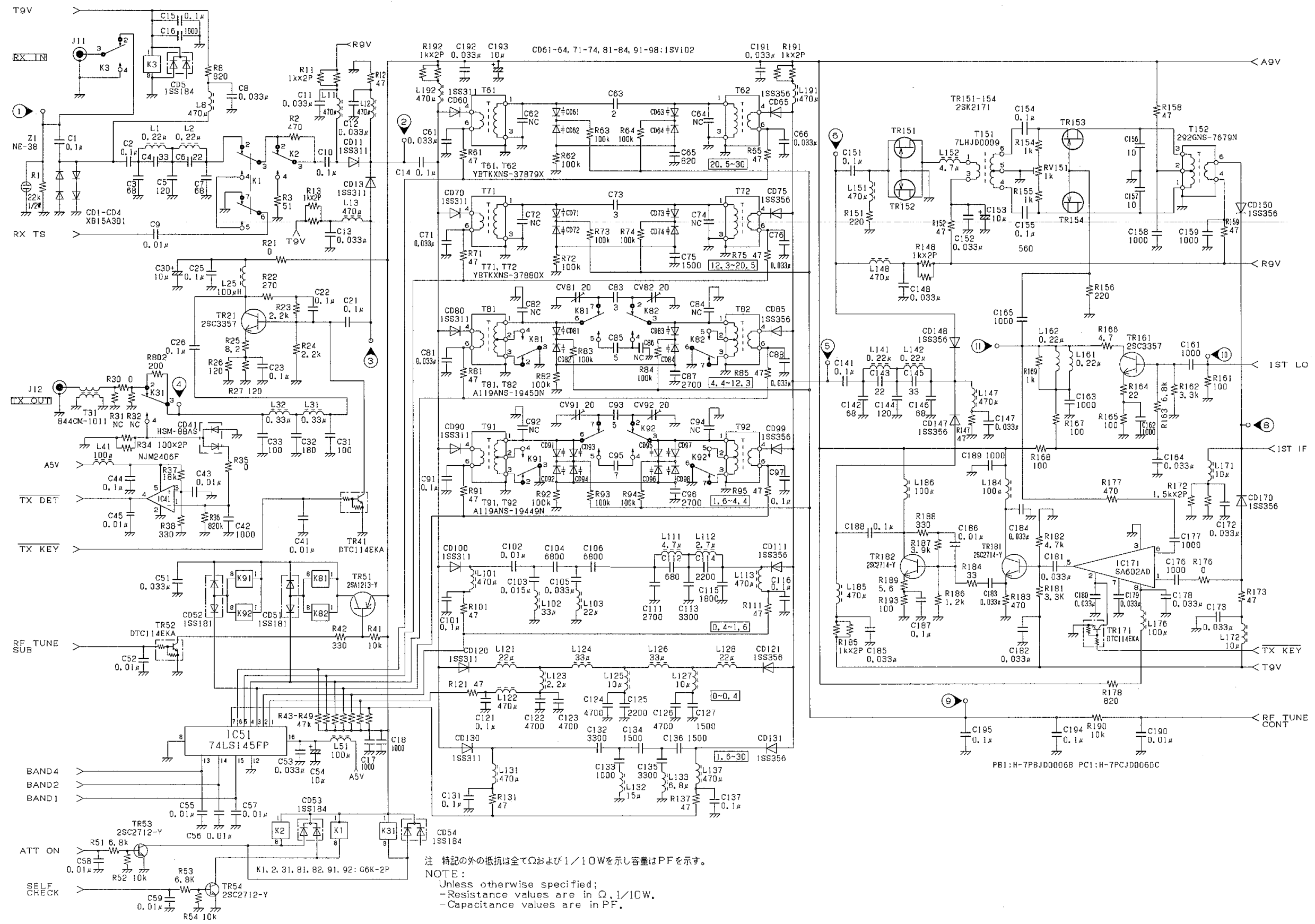


- IC1: HD6413007F20
- IC2: MM20F400BC-90PFTN
- IC3: H-6D1J00024
- IC4: MSM6775TS-K
- IC5: M51953BF
- IC6: TX11919M
- IC7: MAX232EWE
- IC8: TD0203AF
- IC9: TC4981F
- IC10: TC74HC4050AFT
- IC11: TC74VHC04FT
- IC12: TC74HC4053AFT
- IC13: NJM2902V
- IC14: NJM2902V
- IC15: TC74HC4050AFT
- IC16: TC74HC4050AFT
- IC17: TC74HC4050AFT
- IC18: TC74HC4050AFT
- IC19: TC74HC4050AFT
- IC20: NJM2904V
- IC21: NJM2903V
- IC22: M51953BFP
- IC23: TC4013RF
- IC24: NJM2902V
- IC25: NJM7809FA
- IC26: NJM7805FA
- IC27: AN77L00M
- X1: AT-51 F=19.600MHz
- LCD1: H-7WSJDD001A

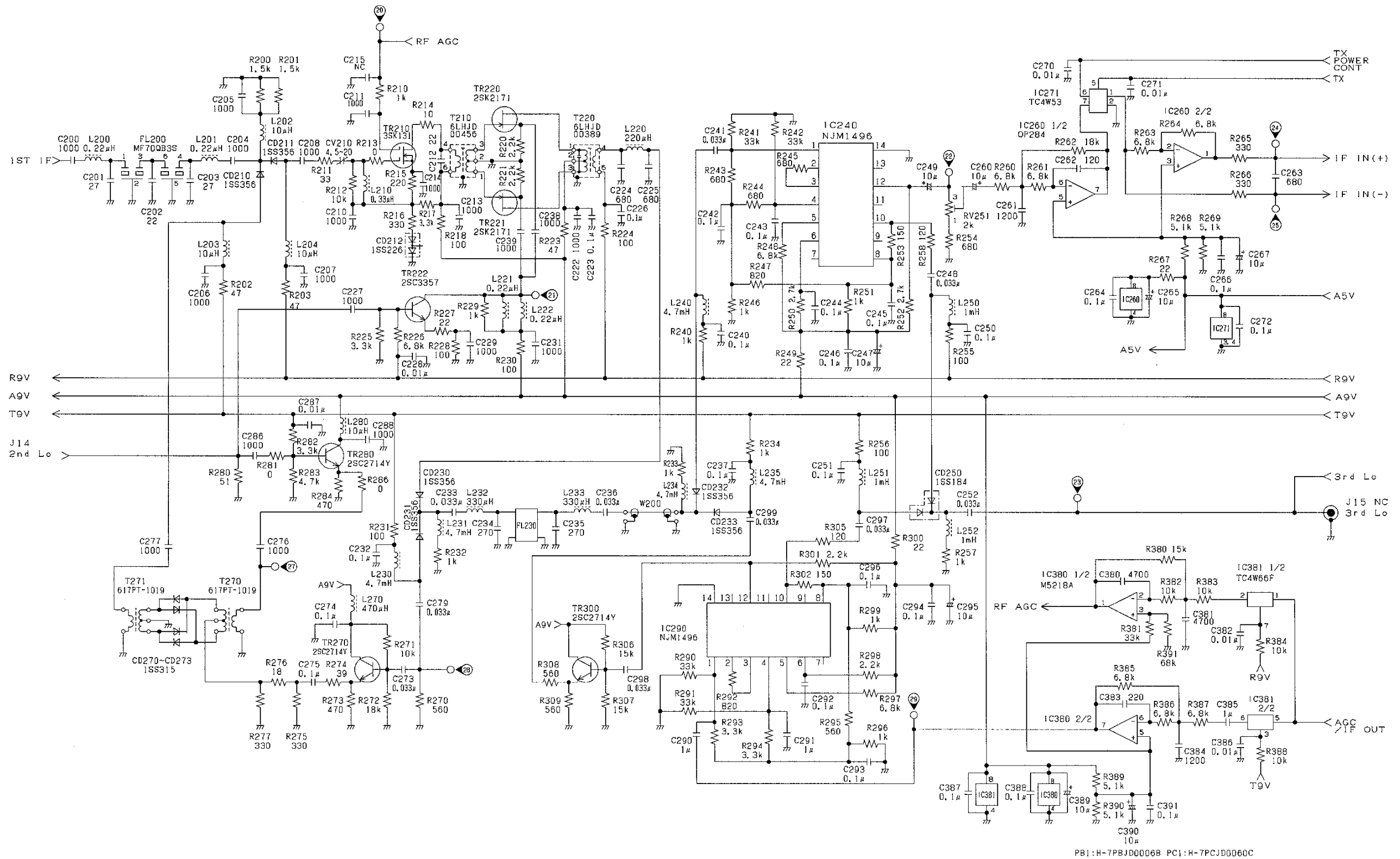
NOTE: UNLESS OTHERWISE SPECIFIED ALL CAPACITANCE VALUES ARE 0.01uF
 *No Connected

**CDJ-1960
 CONTROL UNIT**

PC1: H-7PCJDD061A

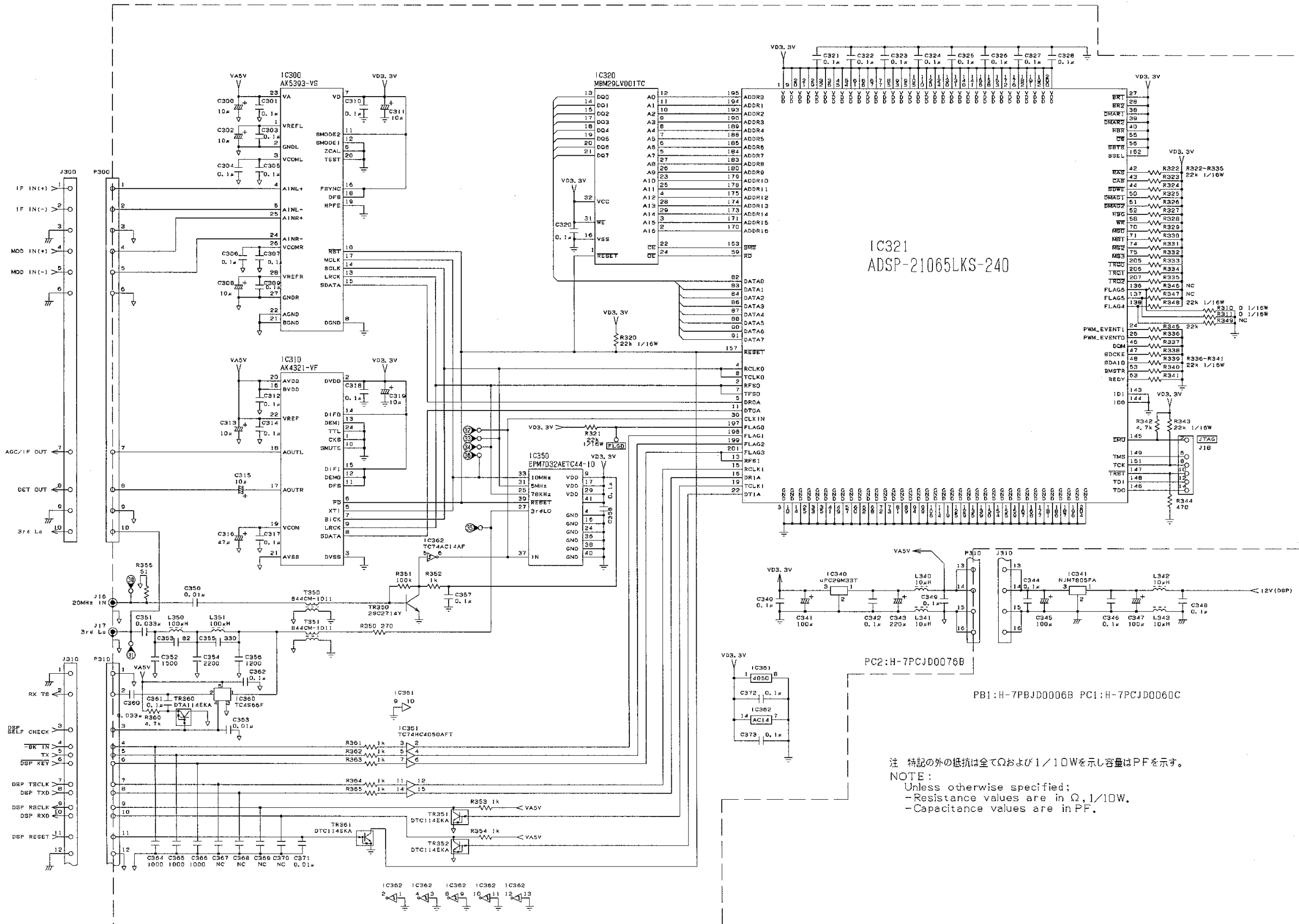


注 特記の外の抵抗は全てΩおよび1/10Wを示し容量はPFを示す。
 NOTE:
 -Resistance values are in Ω, 1/10W.
 -Capacitance values are in PF.

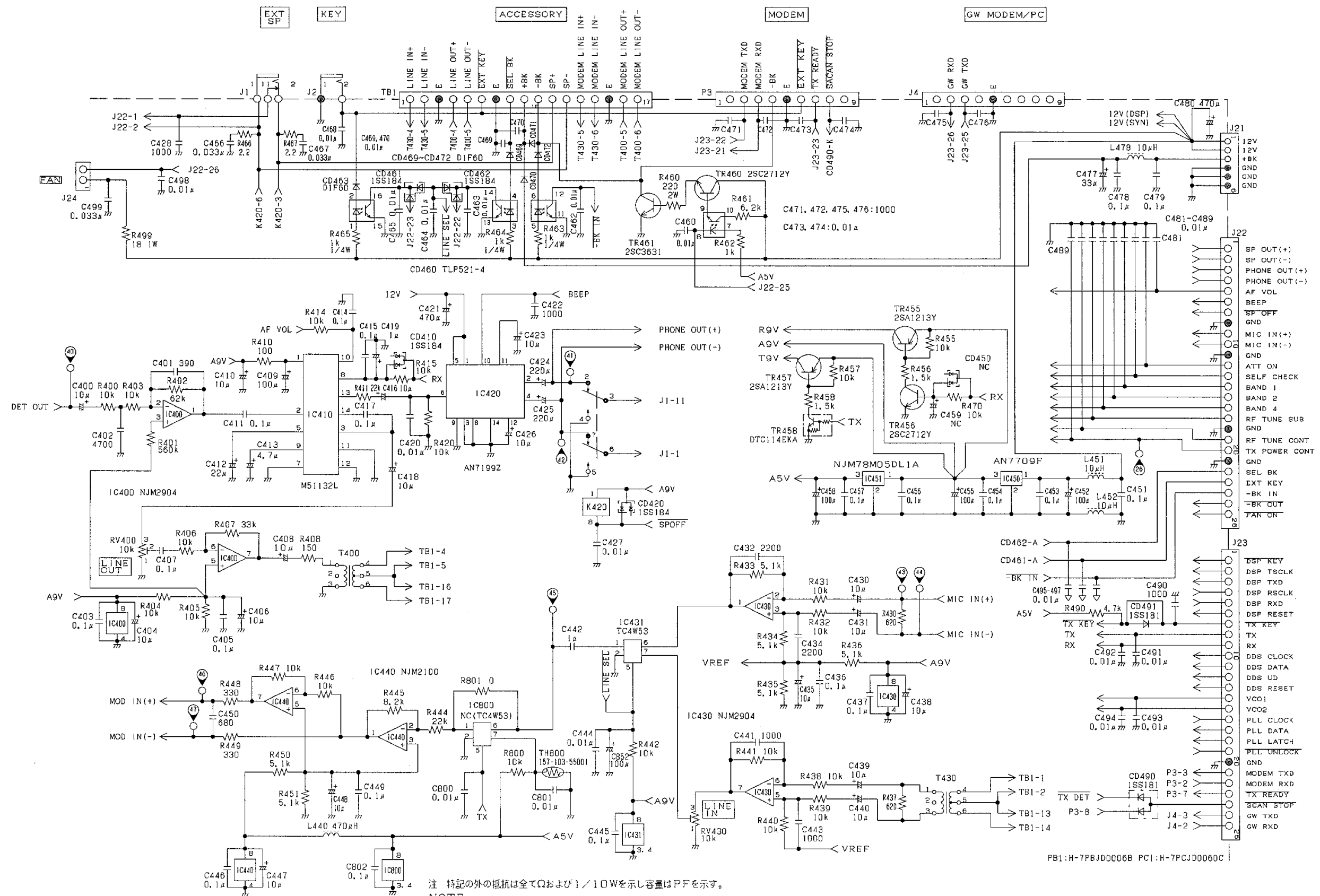


PB1:H-7PBJD0006B PC1:H-7PCJD0060C

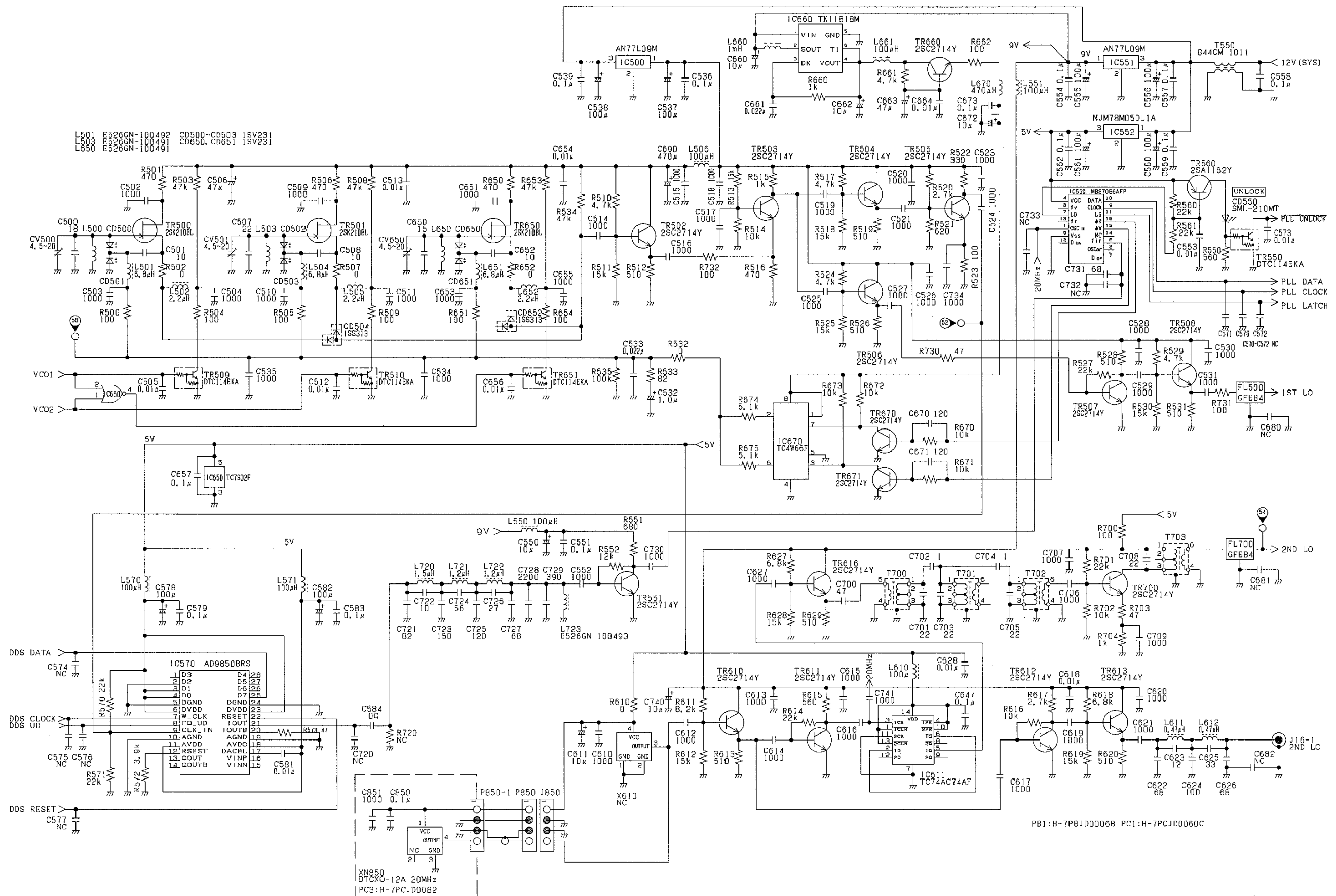
注 特記の外の抵抗は全てΩおよび1/10Wを示し容量はPFを示す。
 NOTE:
 -Unless otherwise specified;
 -Resistance values are in Ω,1/10W.
 -Capacitance values are in PF.



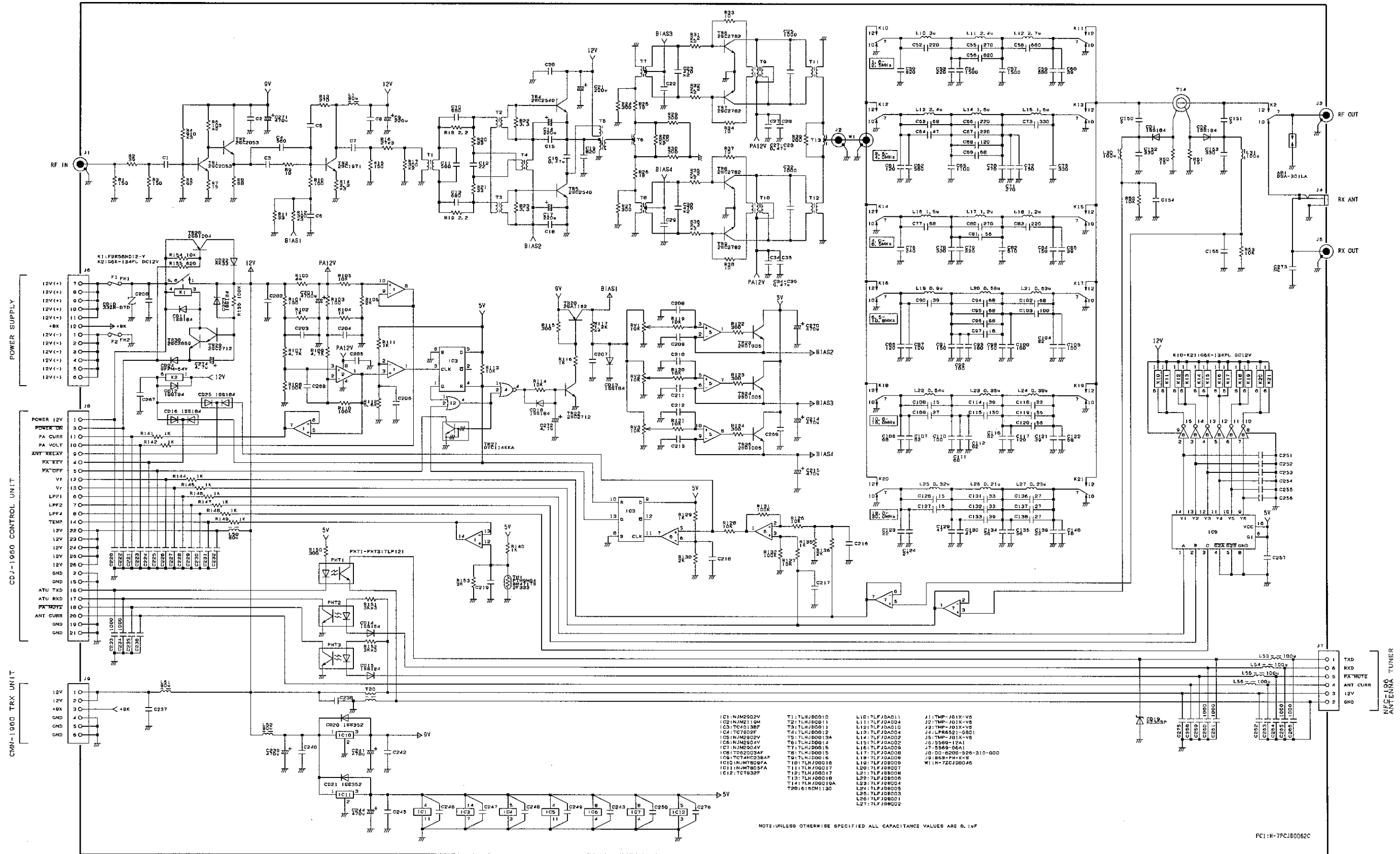
CMN-1960
TRX UNIT (3/5)



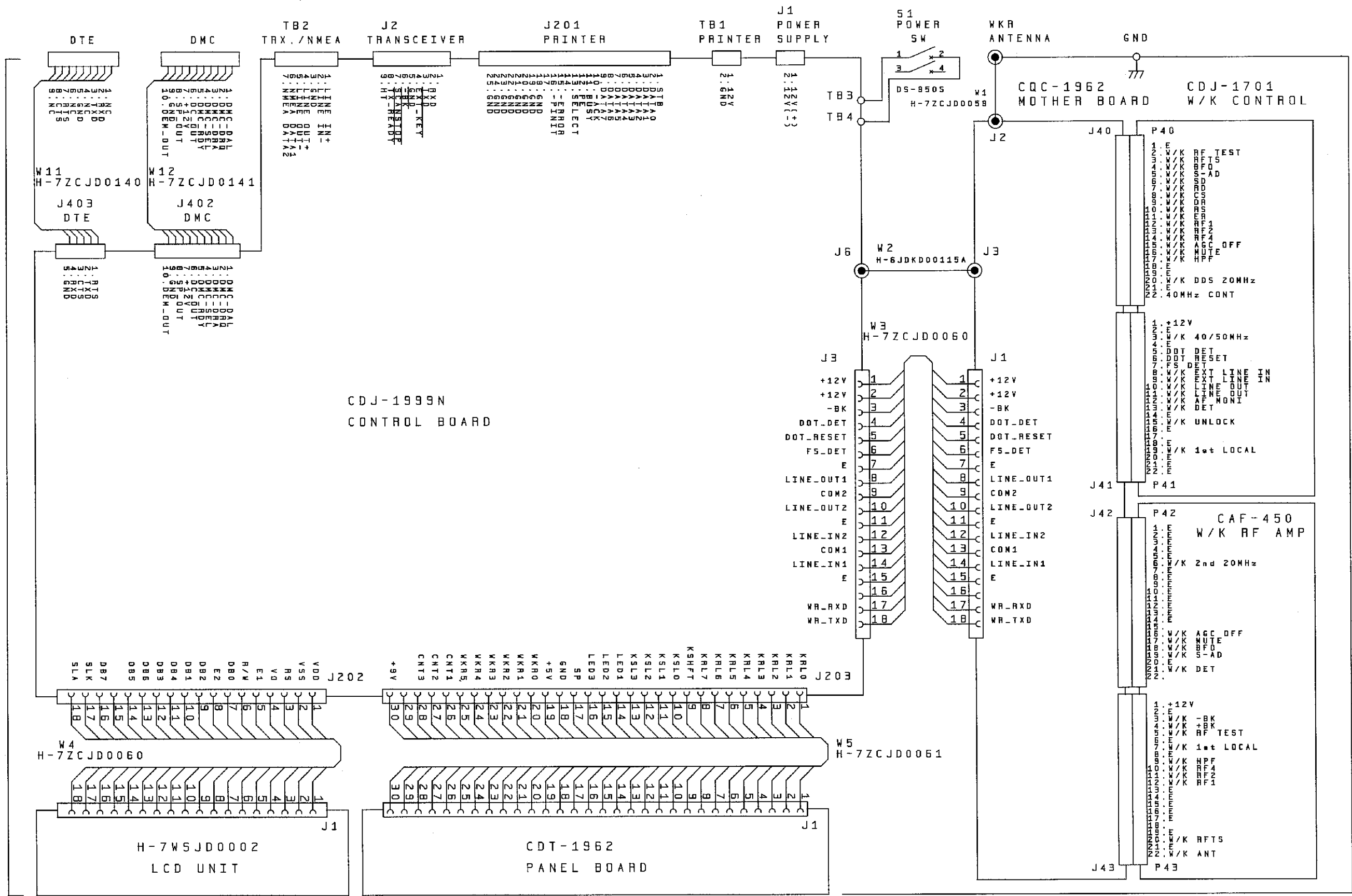
注 特記の外の抵抗は全てΩおよび1/10Wを示し容量はPFを示す。
 NOTE:
 -Unless otherwise specified;
 -Resistance values are in Ω, 1/10W.
 -Capacitance values are in PF.



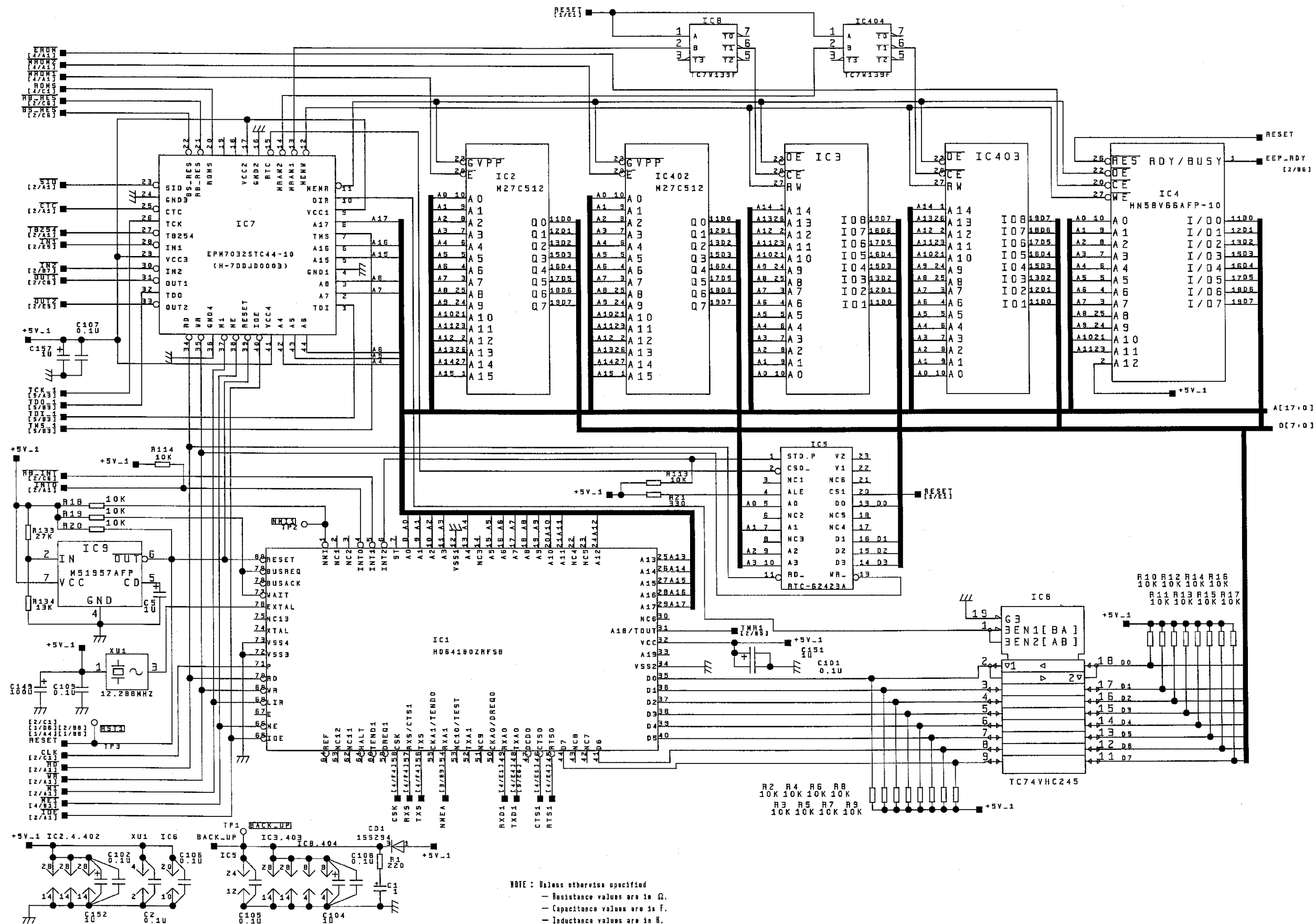
CMN-1960
TRX UNIT (5/5)



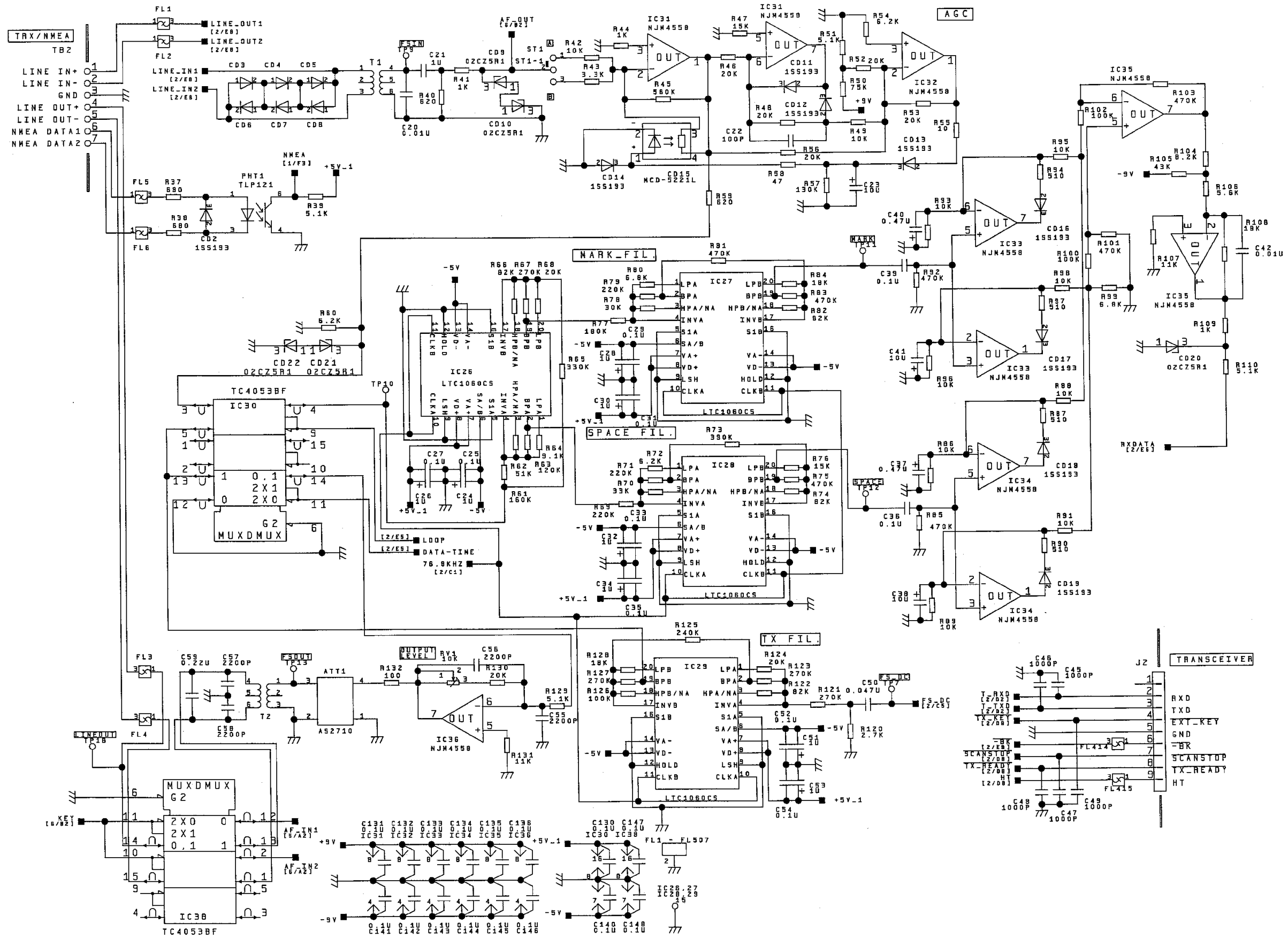
CAH-1960
PA UNIT



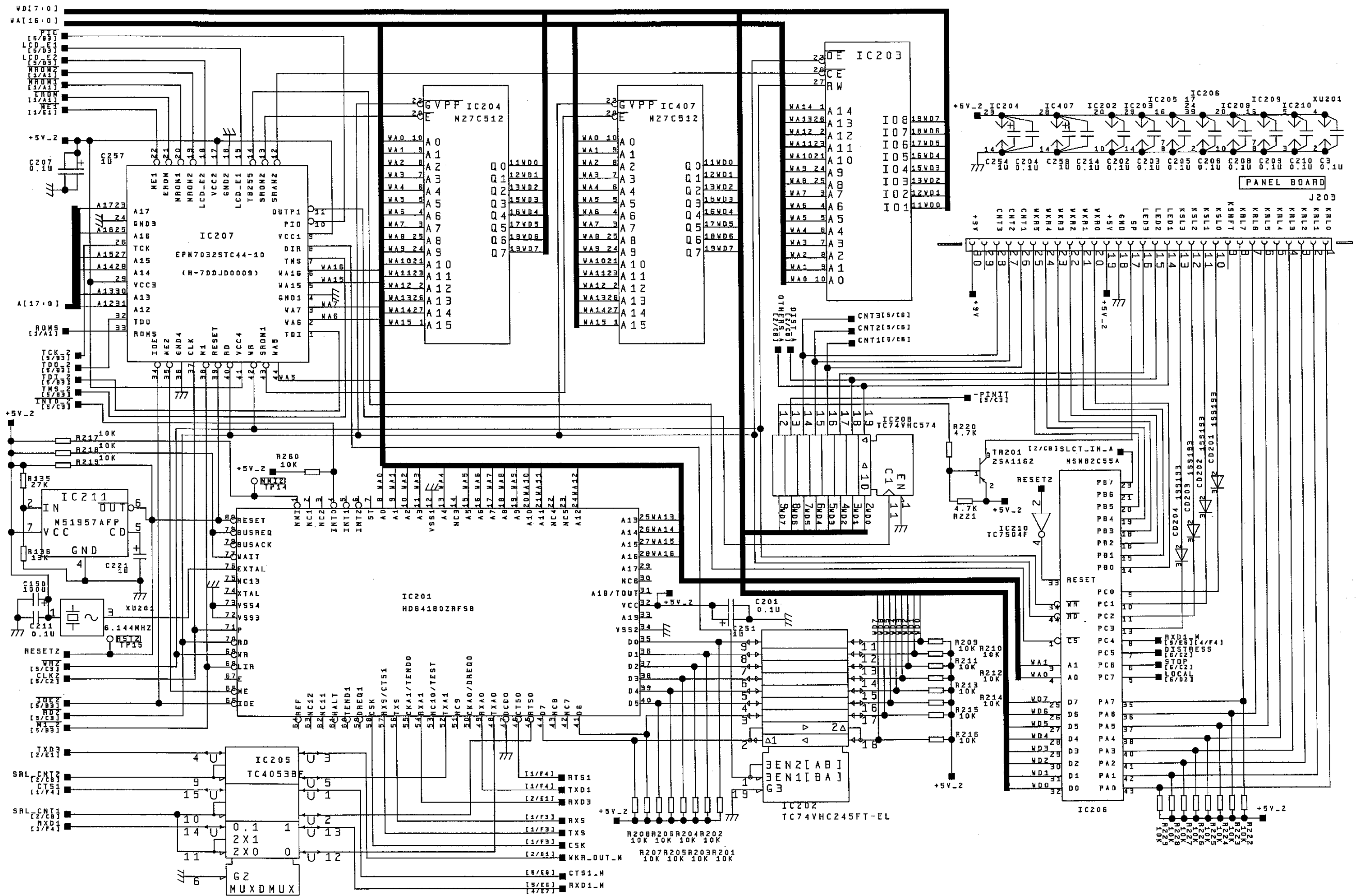
NCT-196N
CHASIS



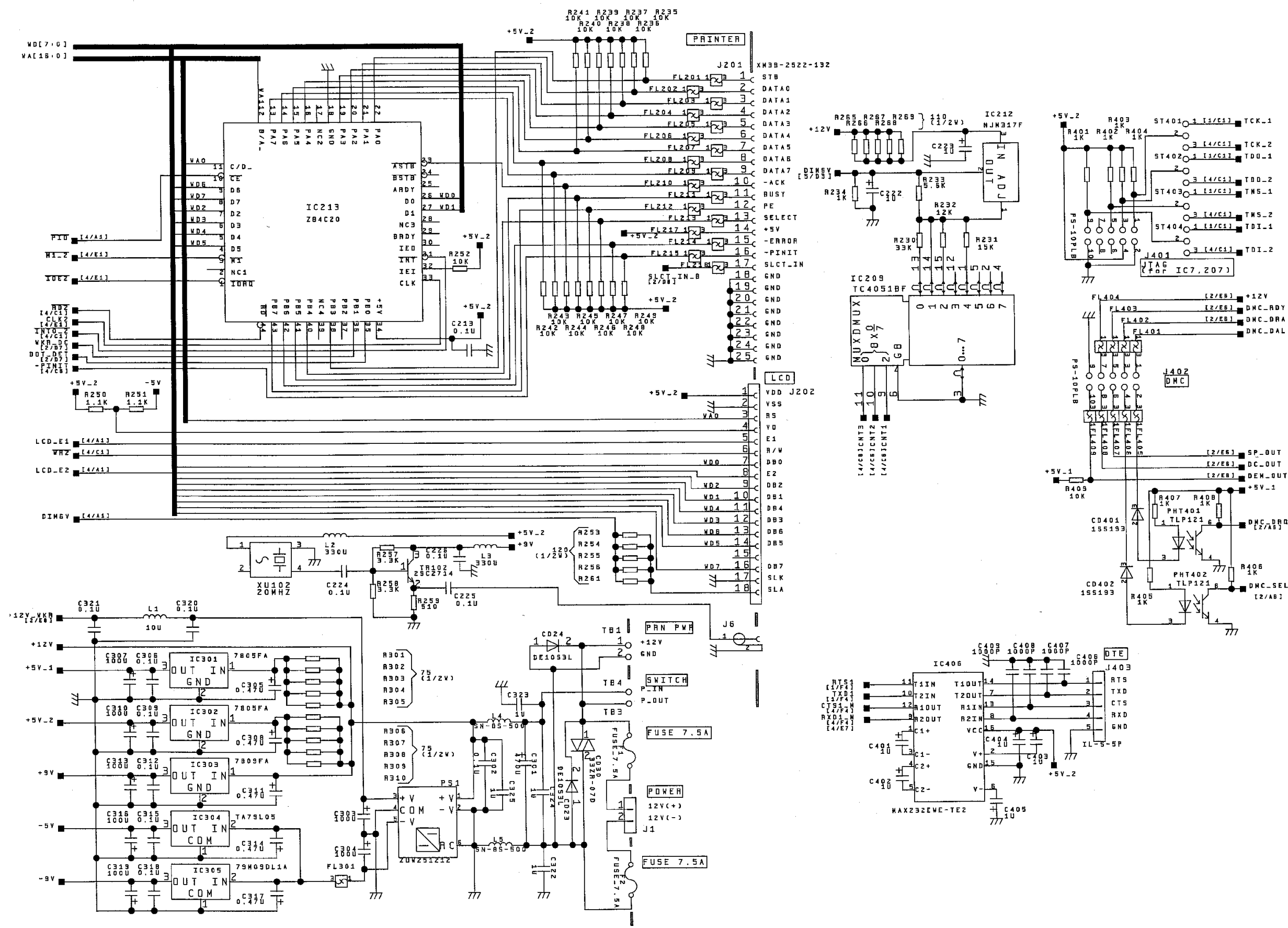
CDJ-1999N
CONTROL BOARD (1/6)



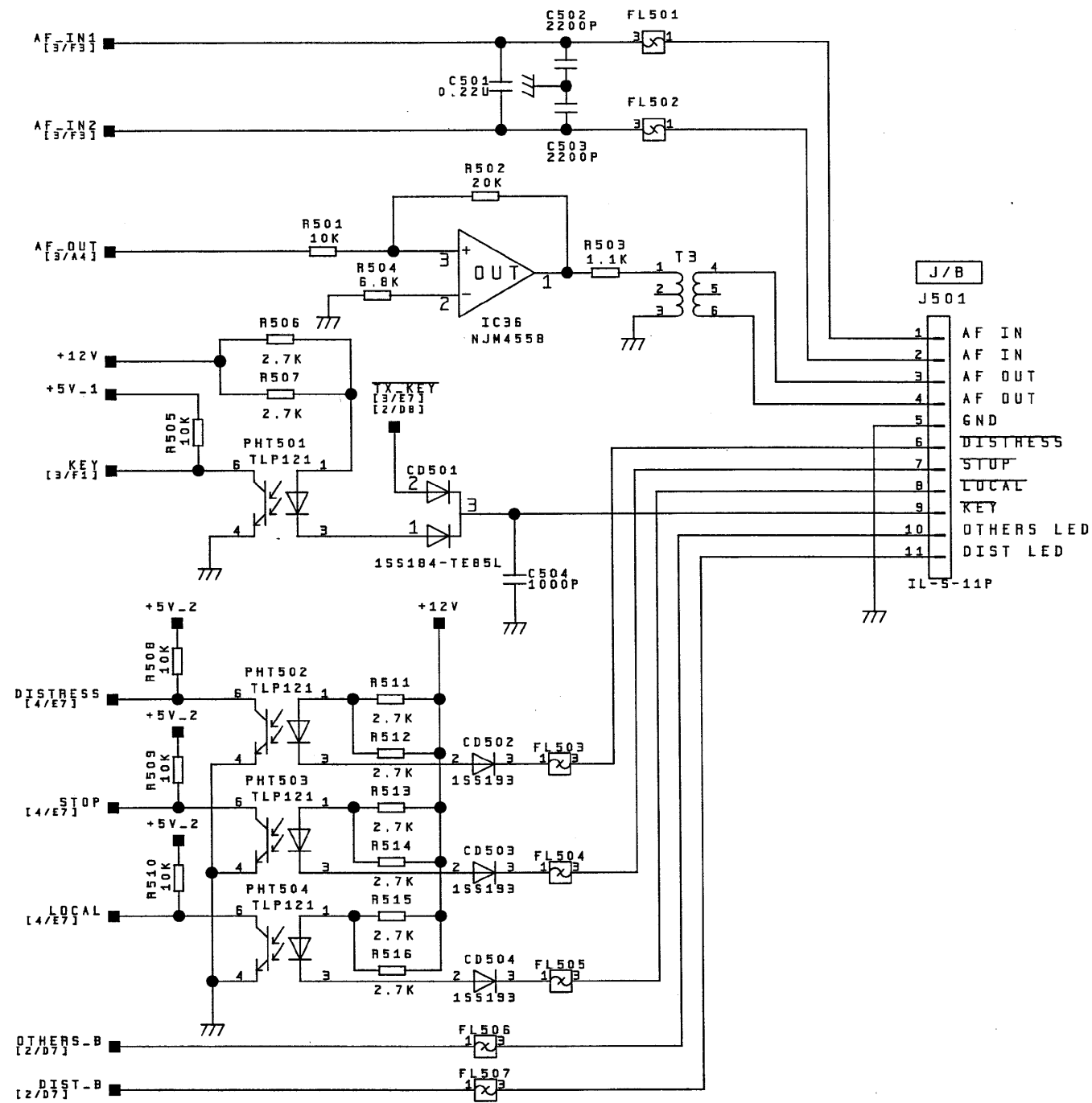
CDJ-1999N
CONTROL BOARD (3/6)



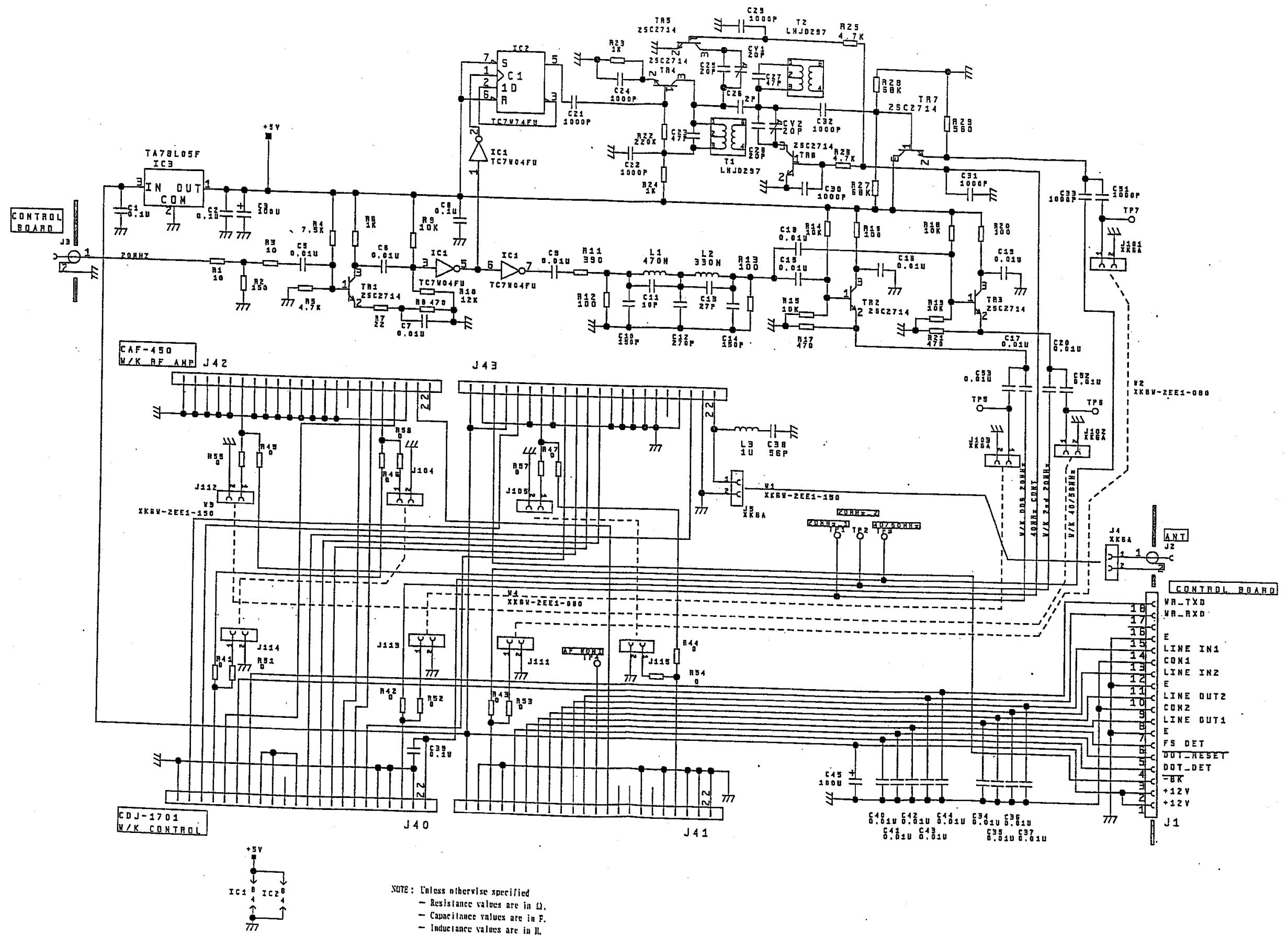
CDJ-1999N
CONTROL BOARD (4/6)



CDJ-1999N
CONTROL BOARD (5/6)



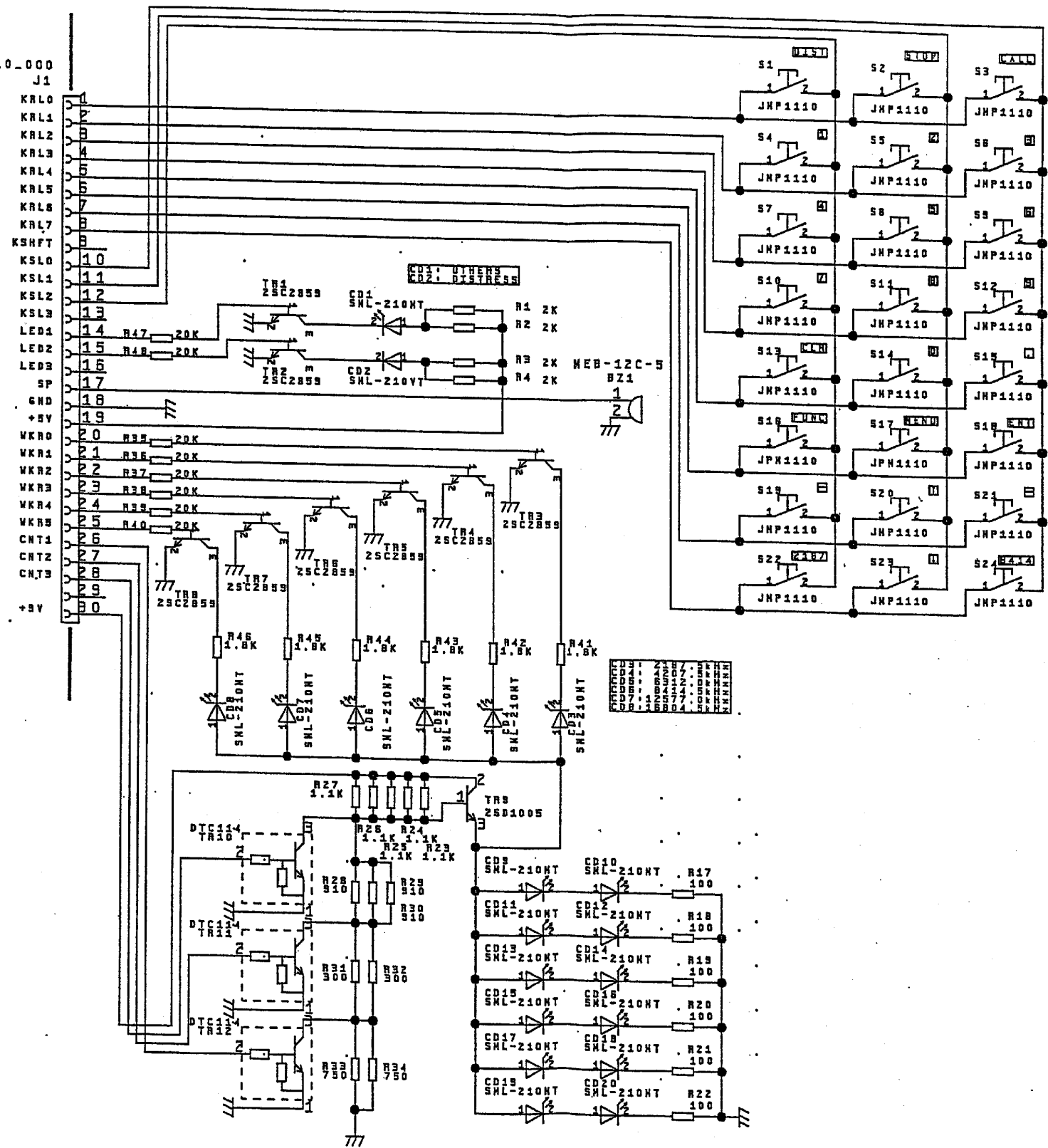
CDJ-1999N
CONTROL BOARD (6/6)



NOTE: Unless otherwise specified
 - Resistance values are in Ω.
 - Capacitance values are in F.
 - Inductance values are in H.

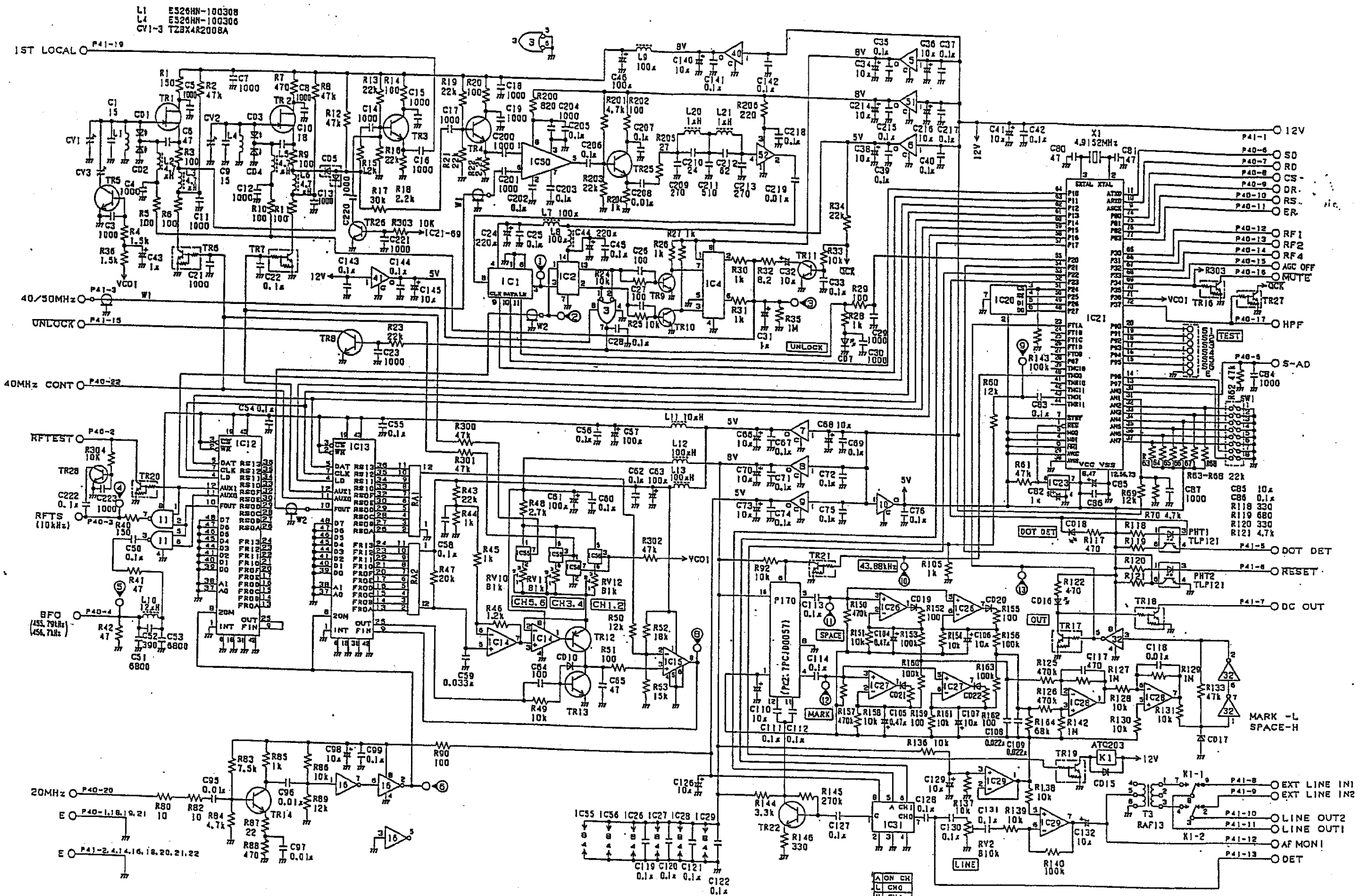
CQC-1962
 MOTHER BOARD

00-6208-530-410-000

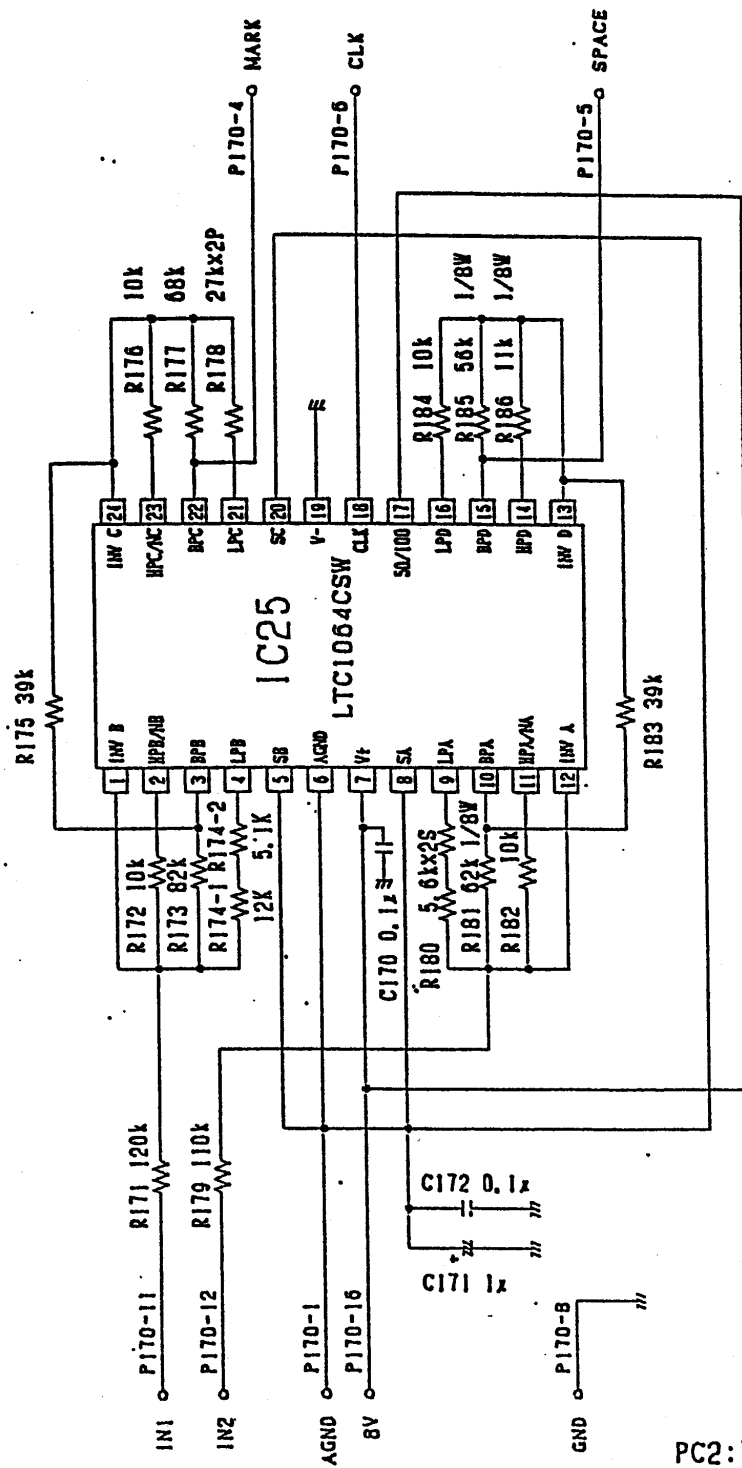


NOTE: Unless otherwise specified
 - Resistance values are in Ω .
 - Capacitance values are in F.

CDT-1962
 PANEL BOARD

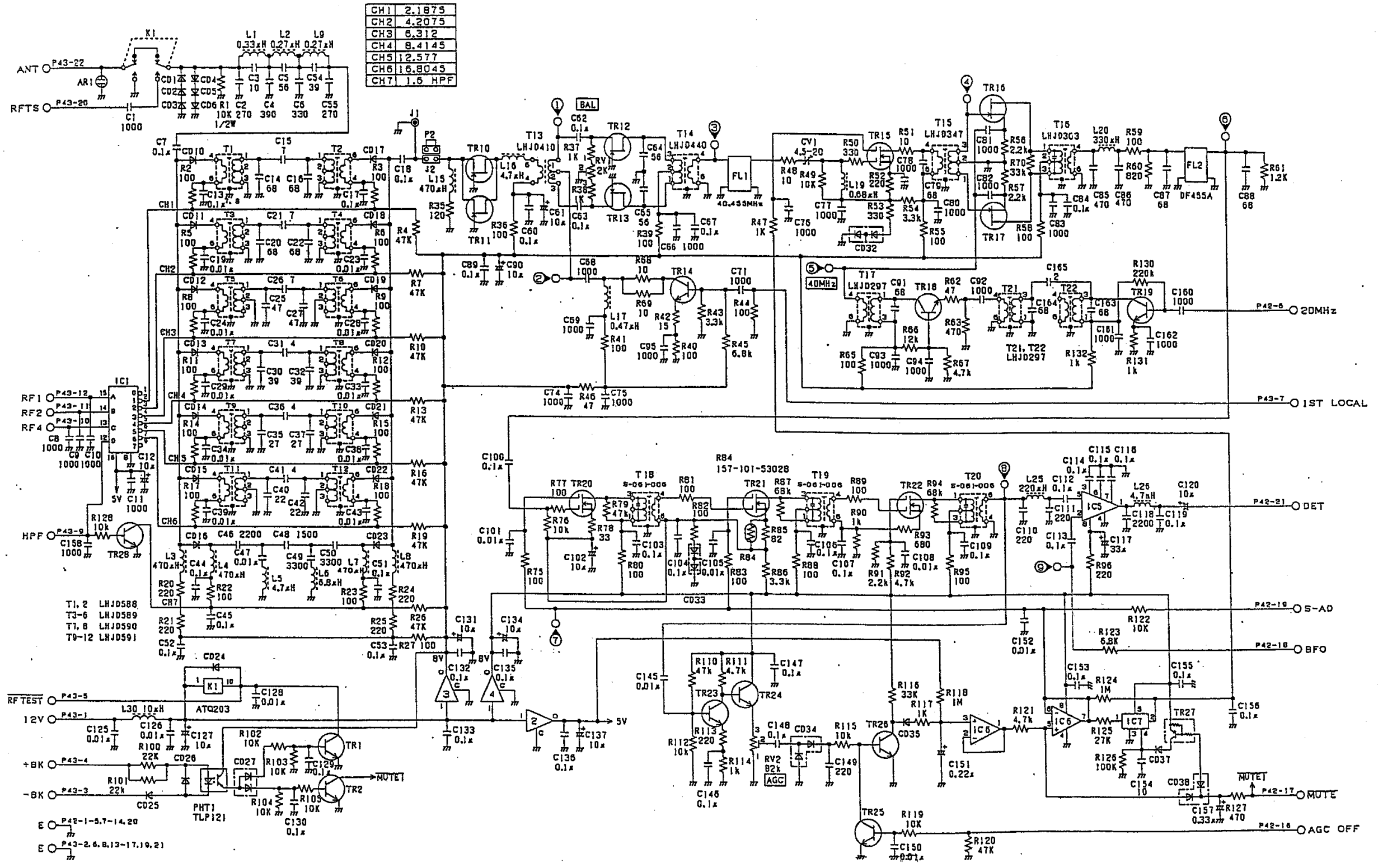


NOTE:
 Unless otherwise specified;
 -Resistance values are in Ω , 1/10W.
 -Capacitance values are in PF.



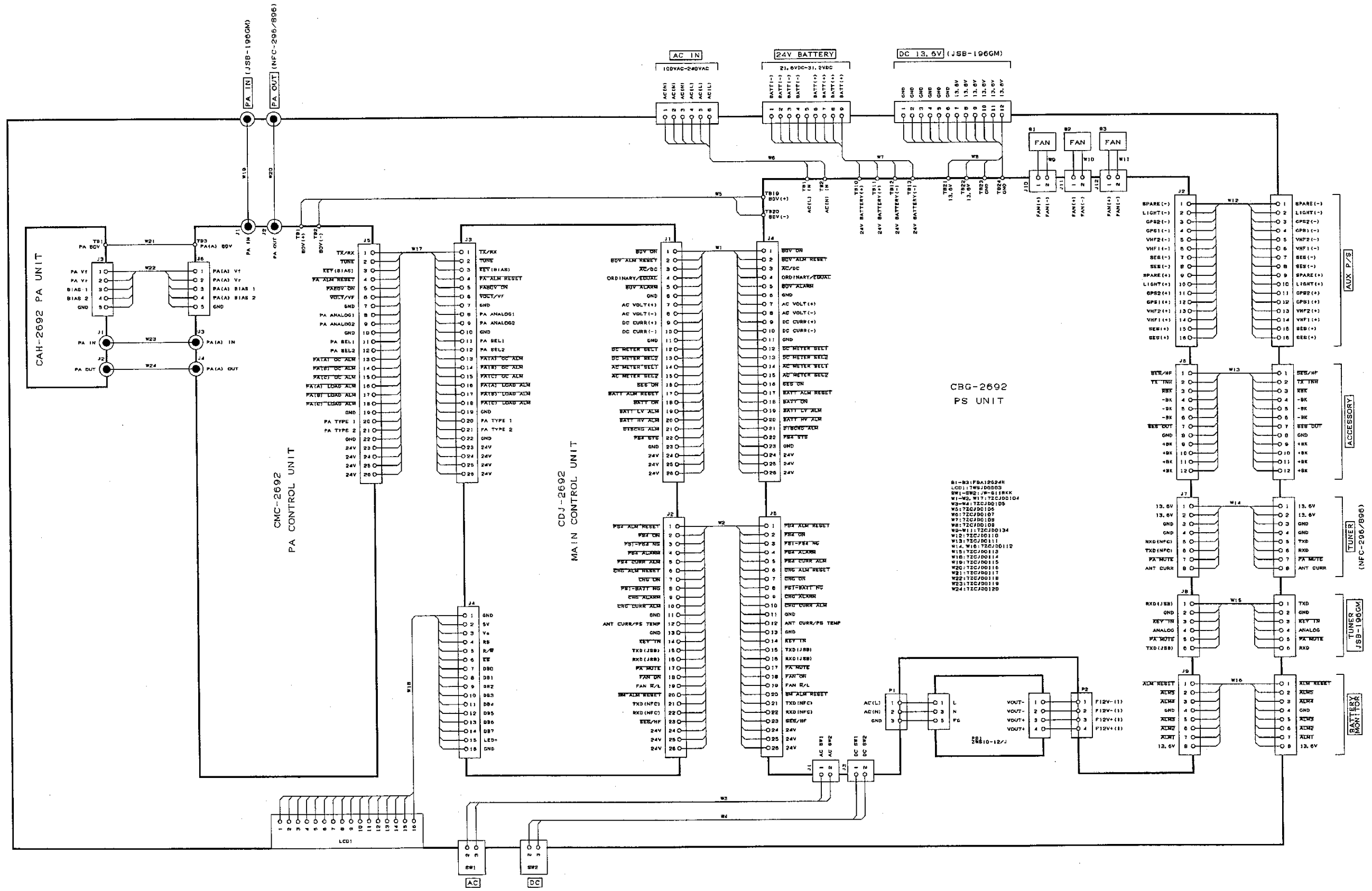
PC2:7PCJD0057

NOTE:
 Unless otherwise specified:
 -Resistances values are in Ω, 1/10th.
 -Capacitance values are in PF.

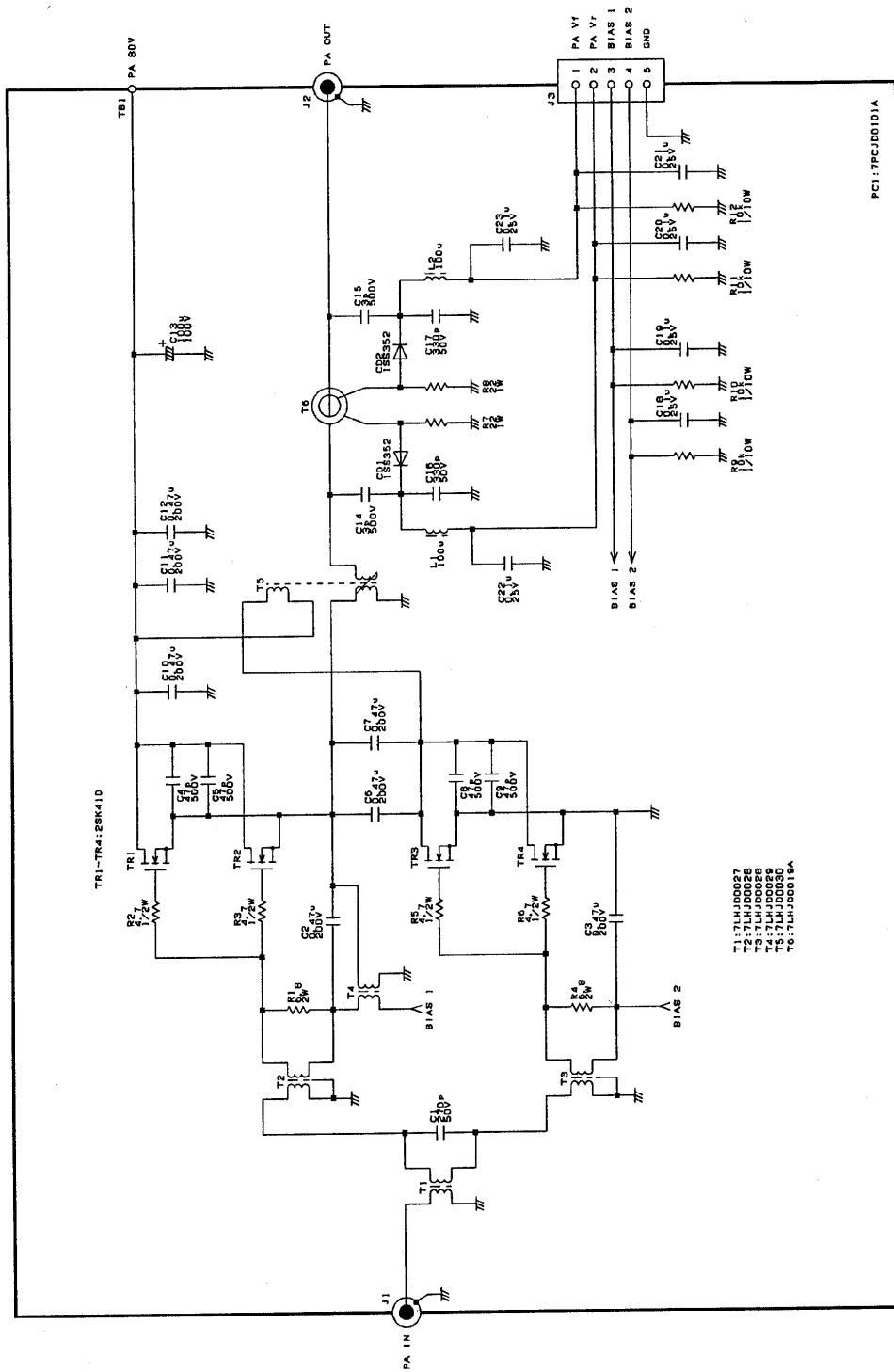


NOTE:
 Unless otherwise specified;
 -Resistance values are in Ω , 1/10W.
 -Capacitance values are in PF.

CAF-450
 W/K RF AMP

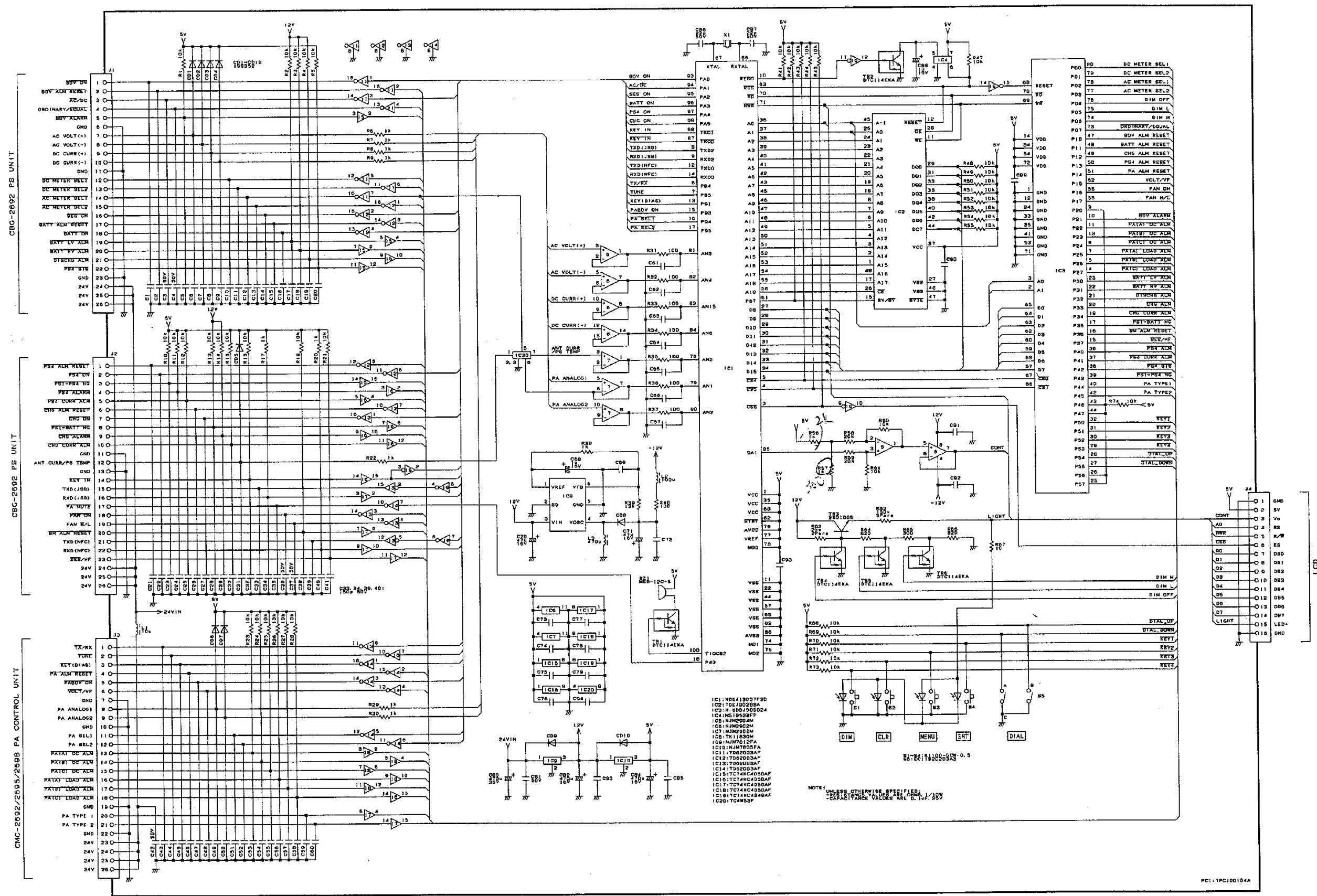


NAH-692
CHASSIS



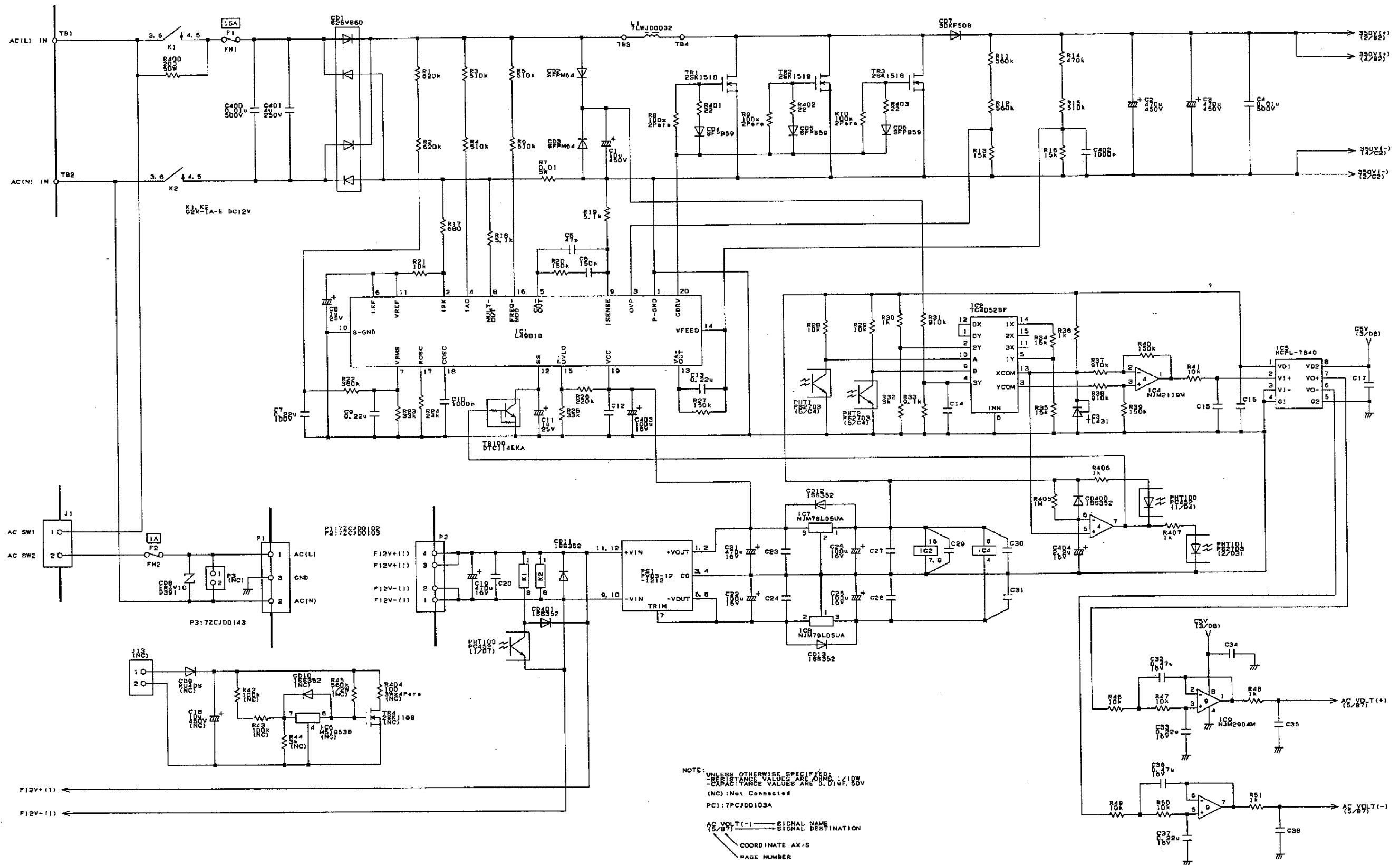
FCI:7PCJDD101A

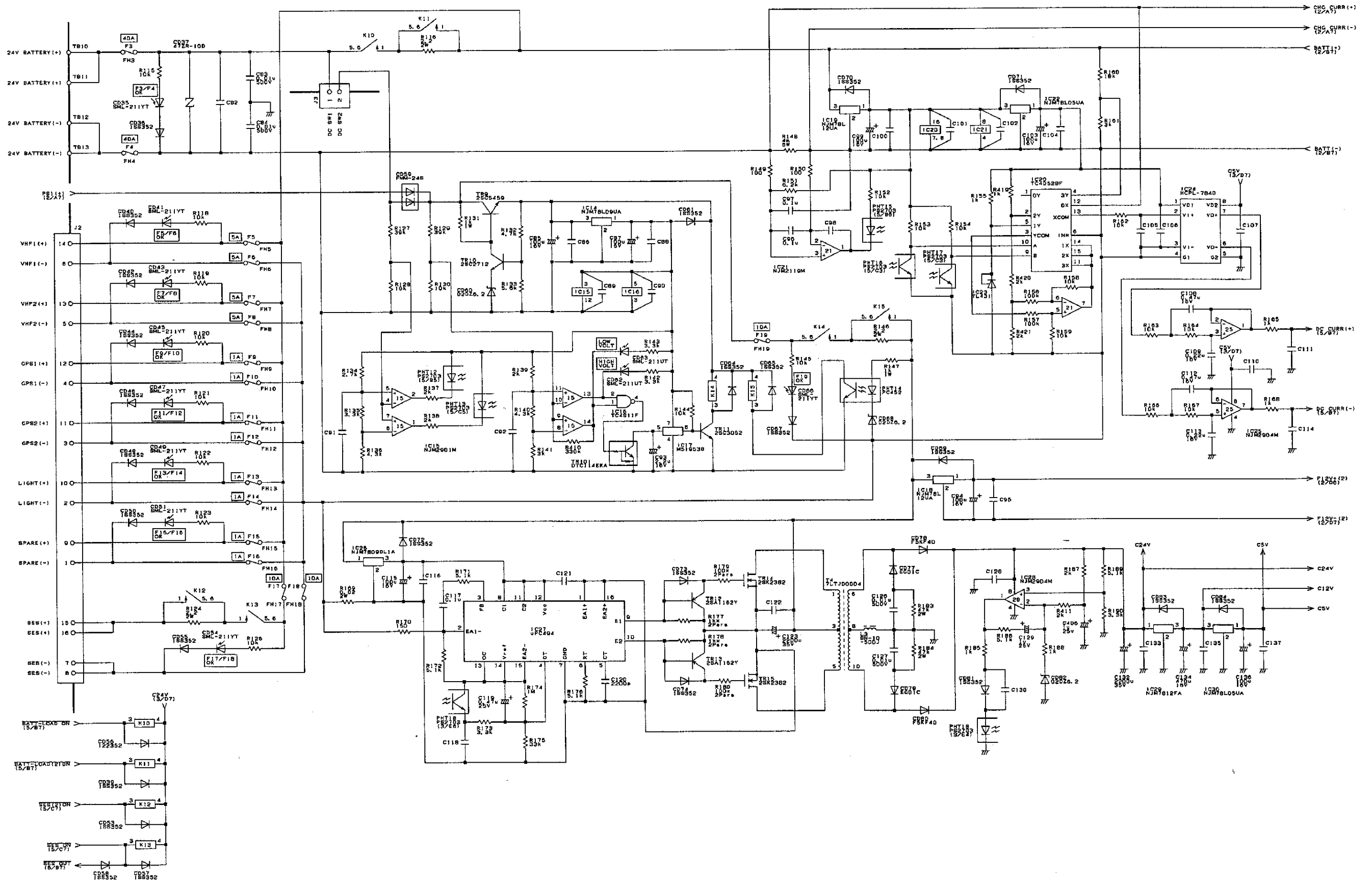
CAH-2692
PA UNIT



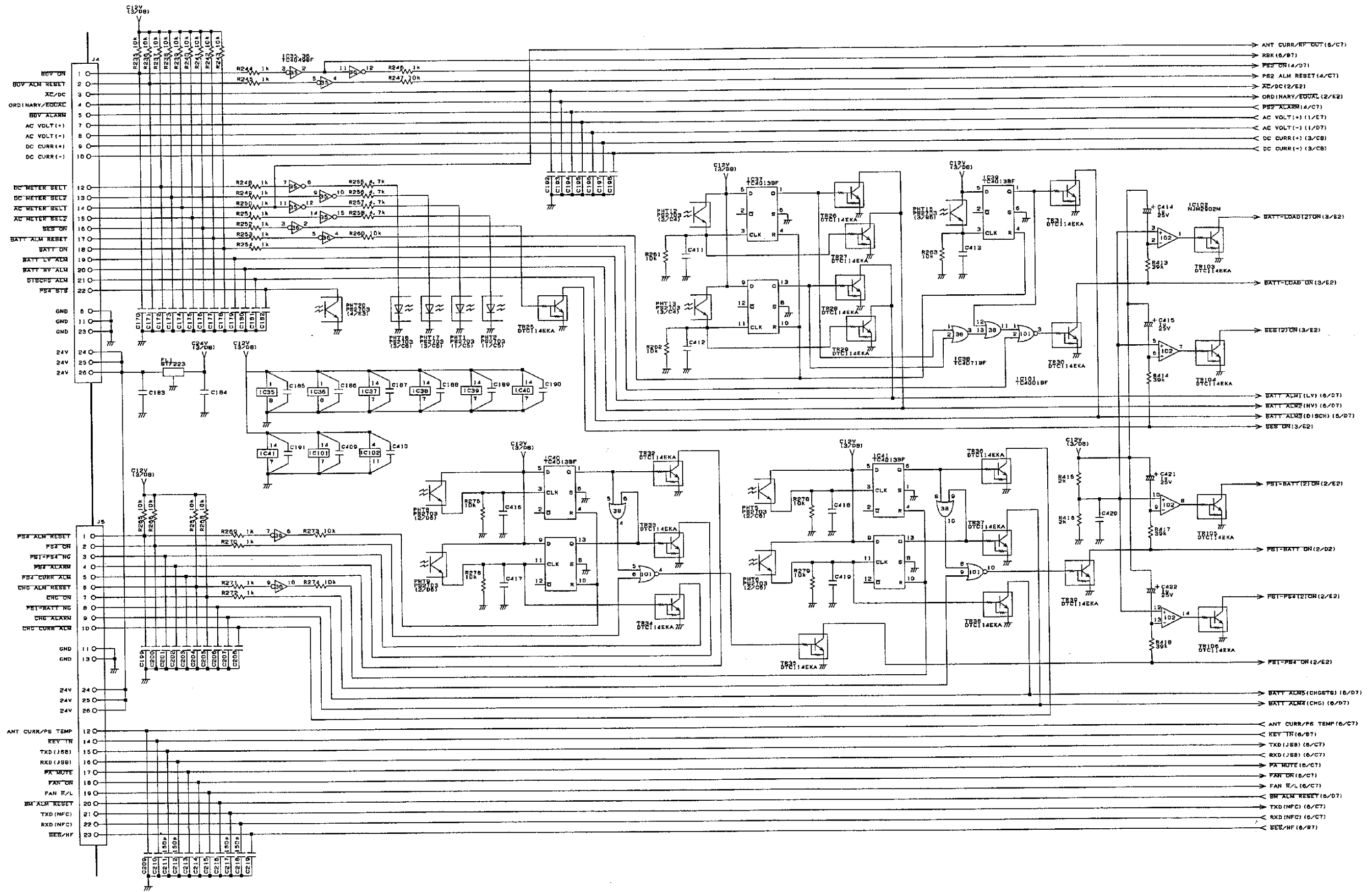
CDJ-2692
MAIN CONTROL UNIT

PC1: 74C100 104A

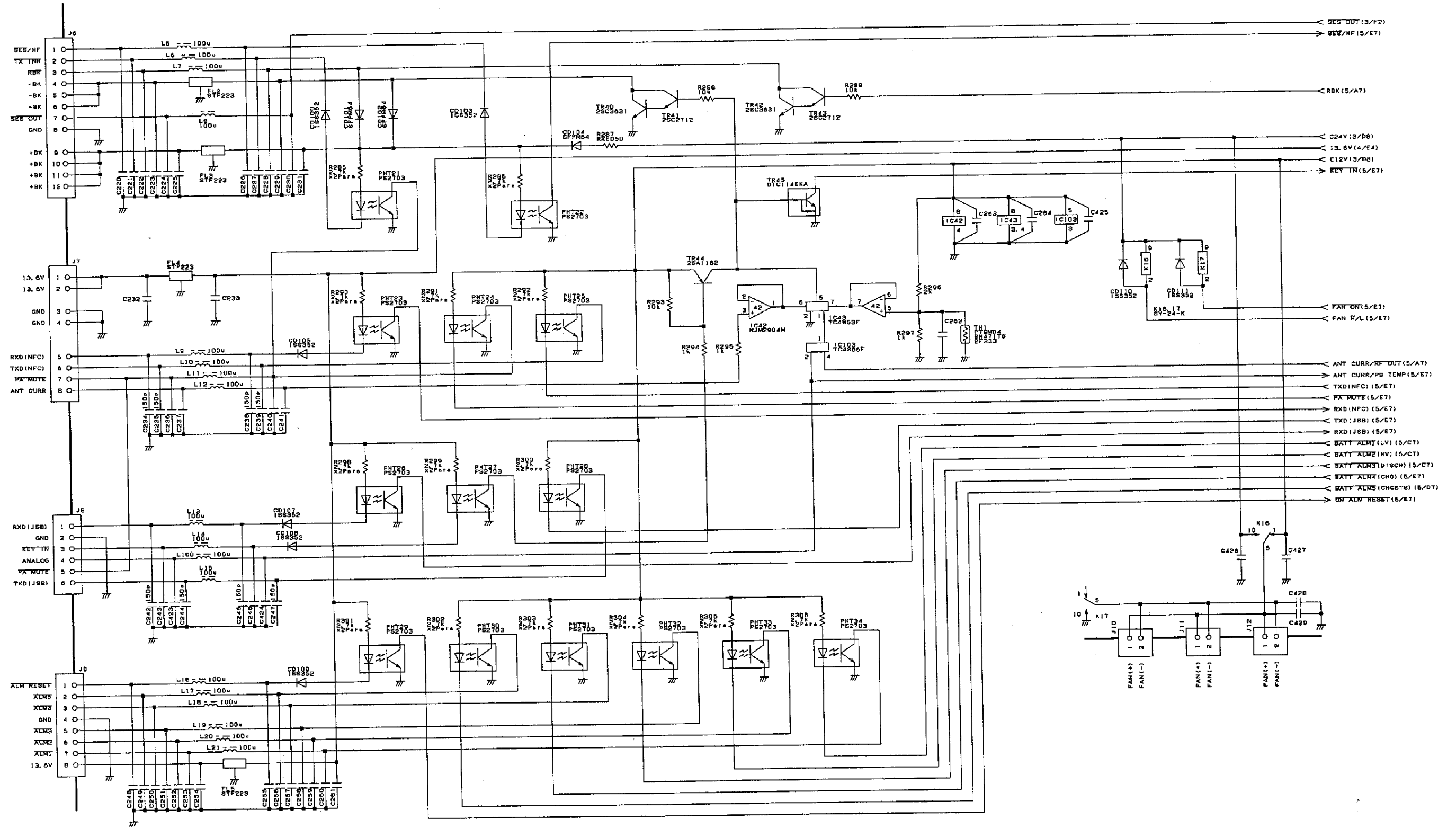




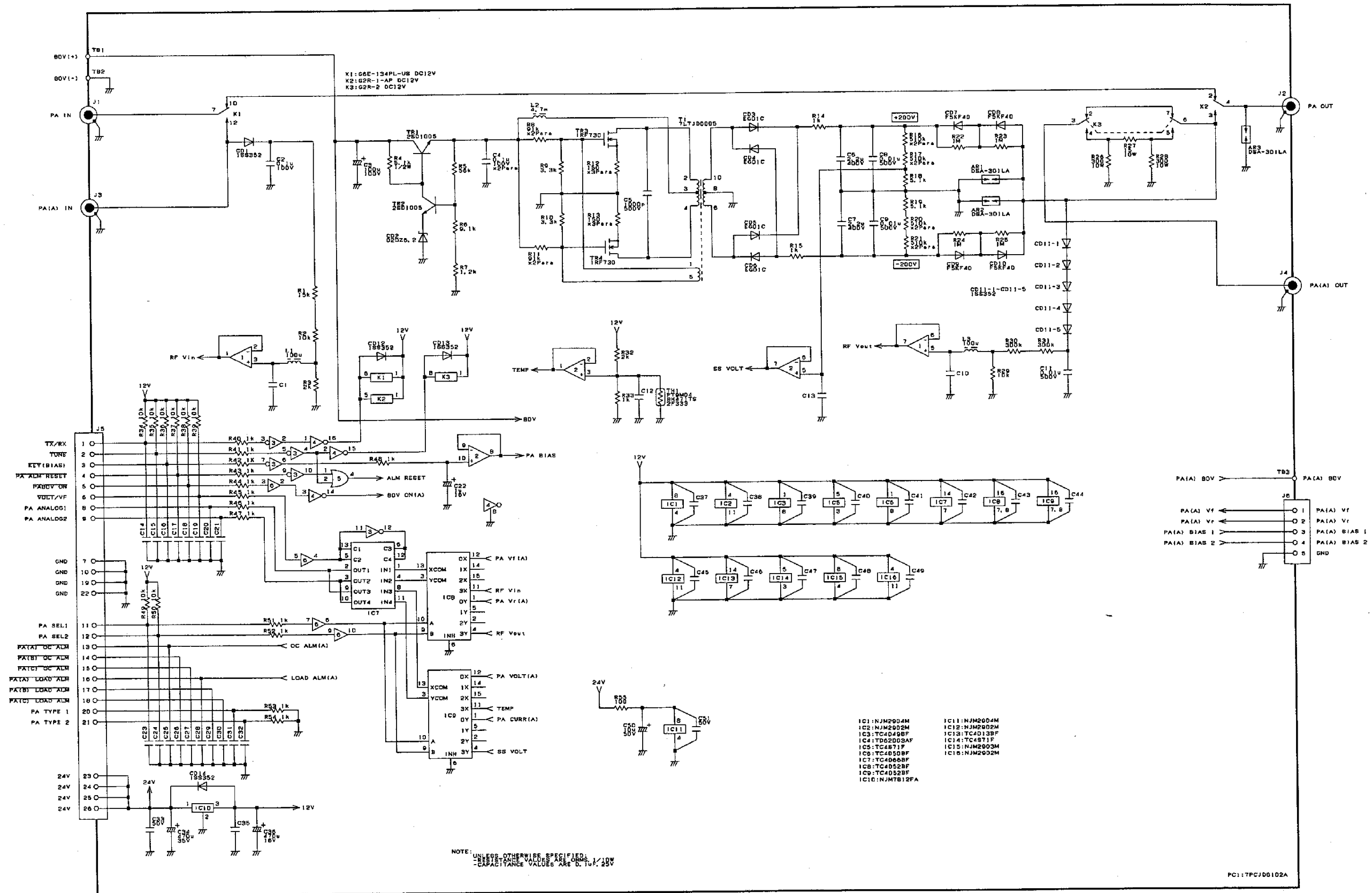
CBG-2692
PS UNIT (3/6)



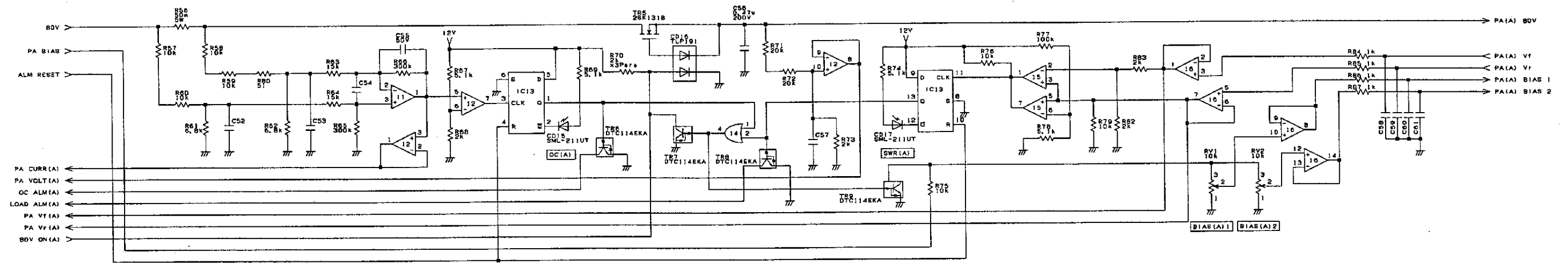
CBG-2692
PS UNIT (5/6)



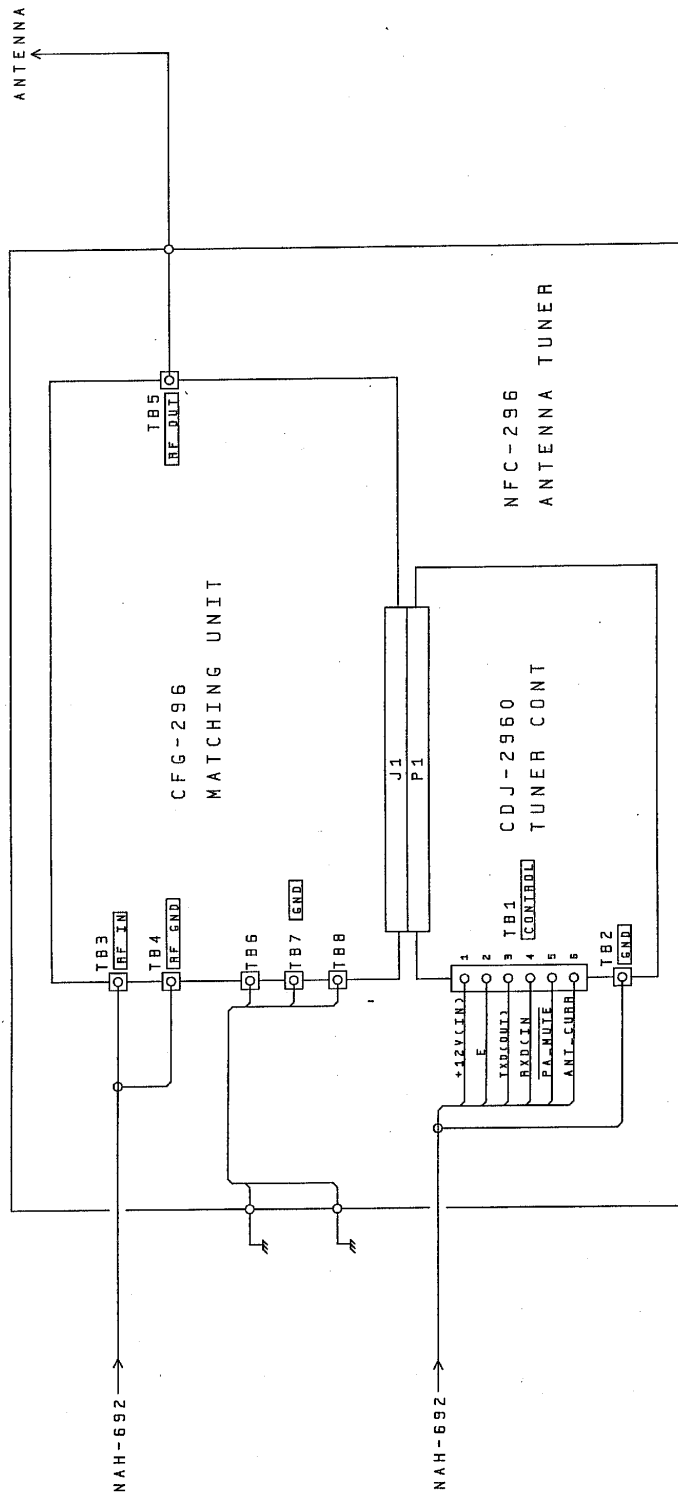
CBG-2692
 PS UNIT (6/6)



CMC-2692
PA CONTROL UNIT (1/2)

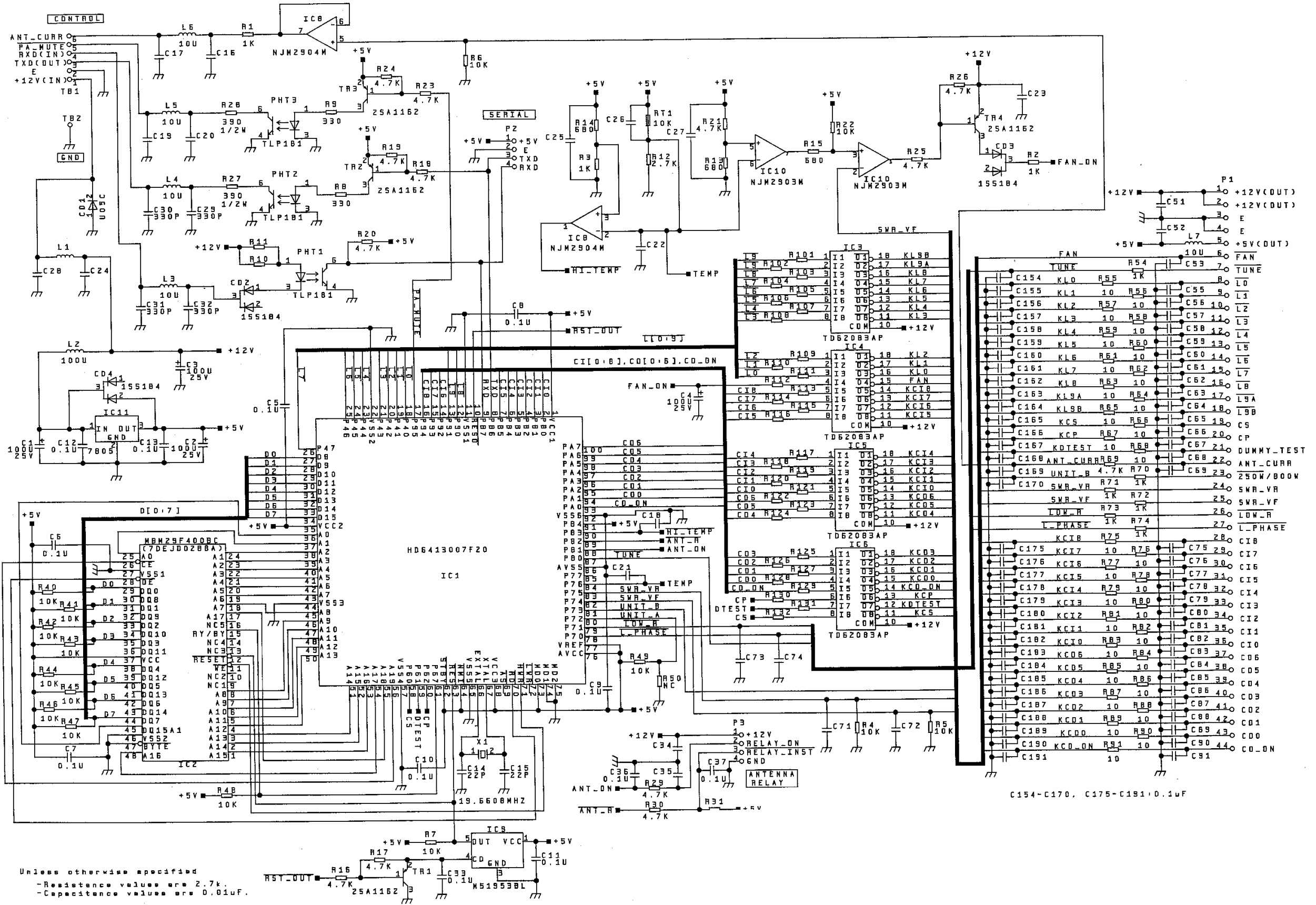


CMC-2692
PA CONTROL UNIT (2/2)



NFC-296

CHASIS



Unless otherwise specified
 - Resistance values are 2.7k.
 - Capacitance values are 0.01uF.

