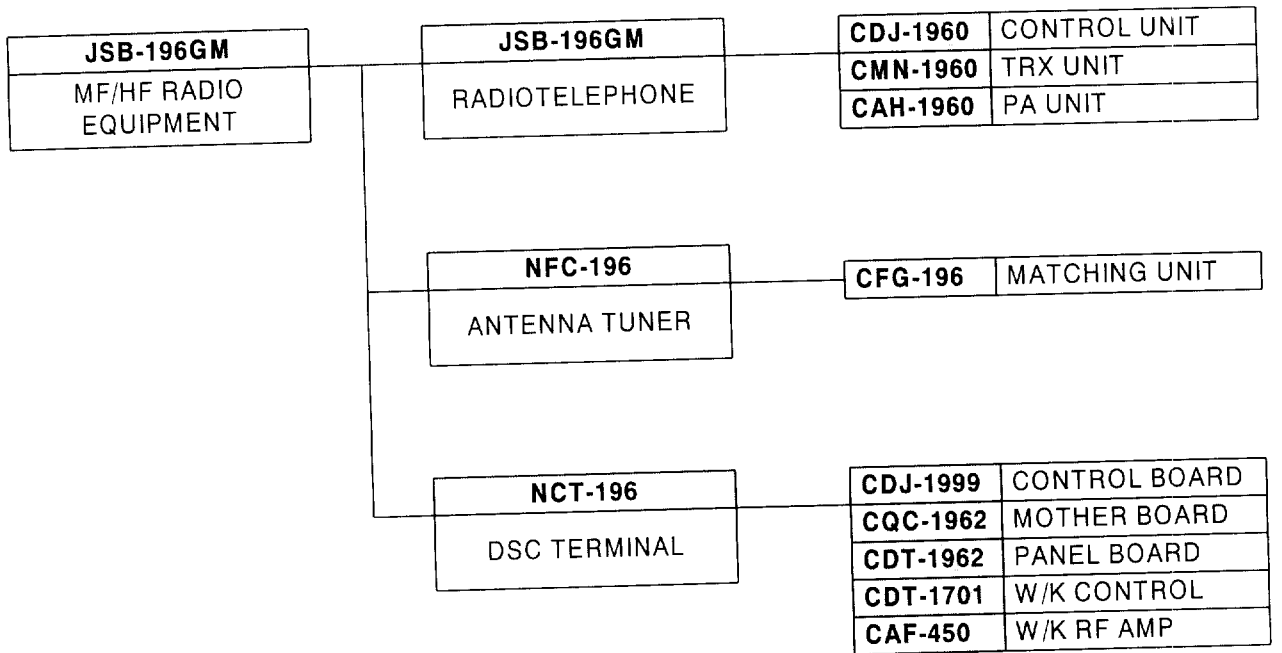
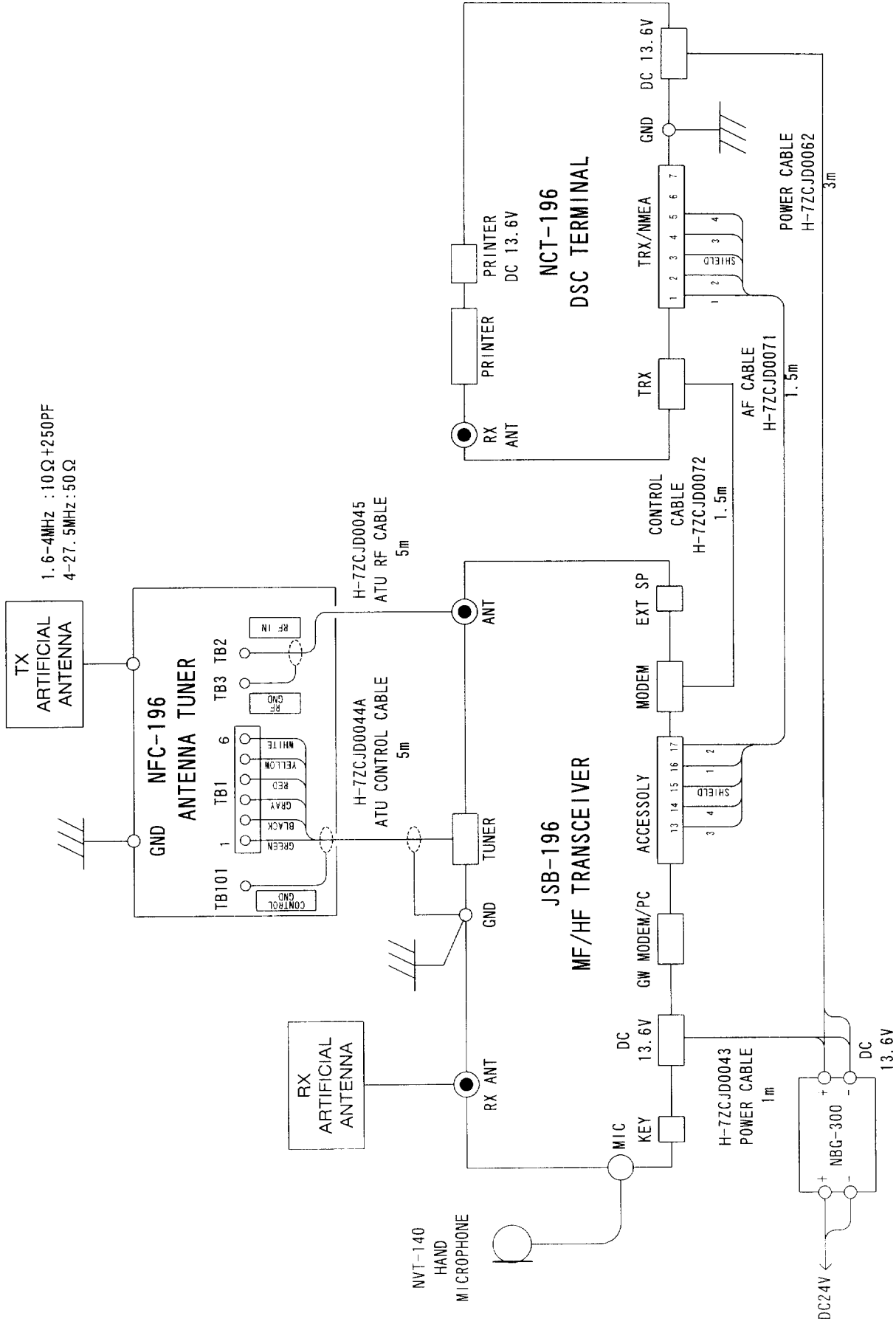
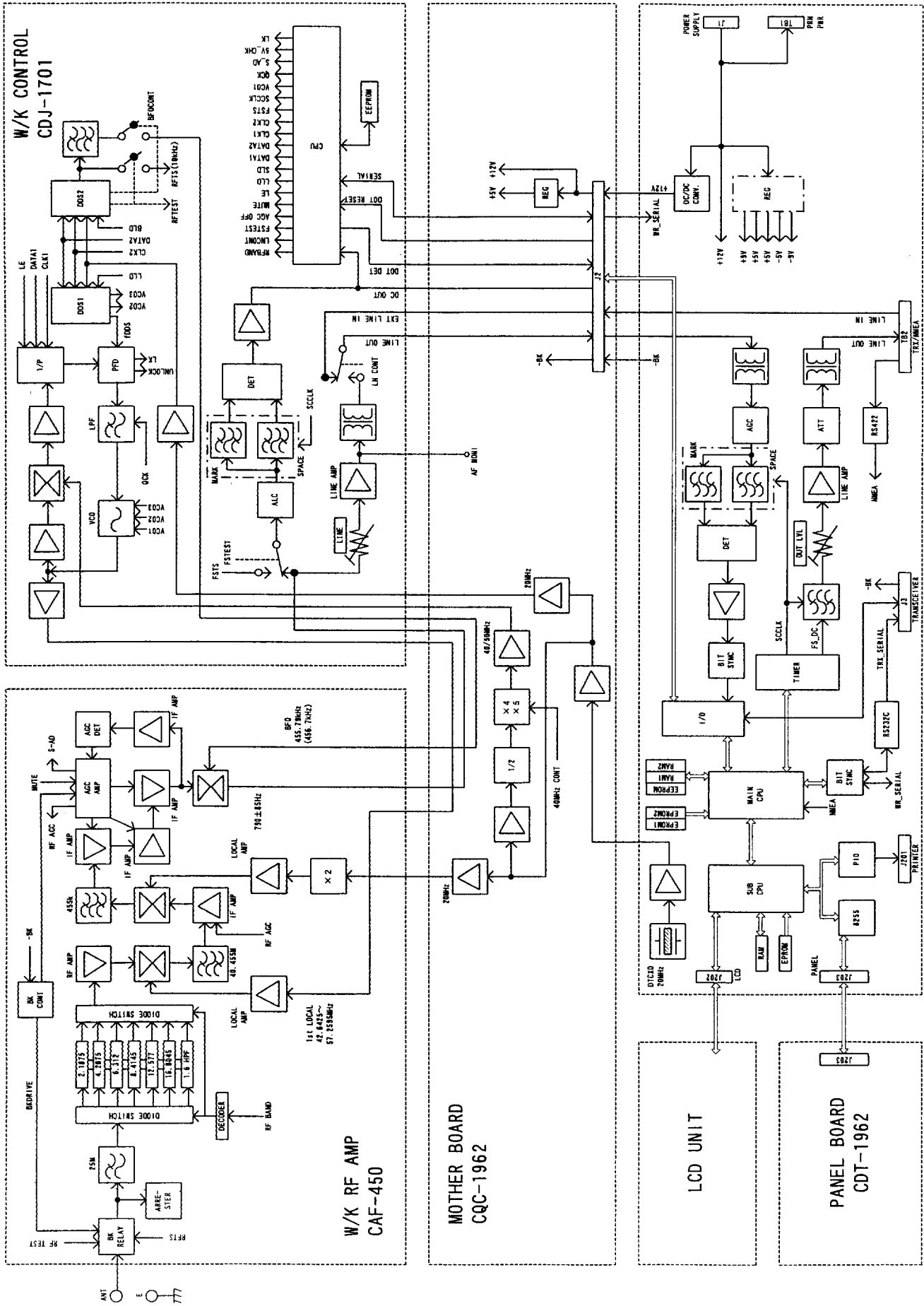


JSB-196GM MF/HF RADIO EQUIPMENT

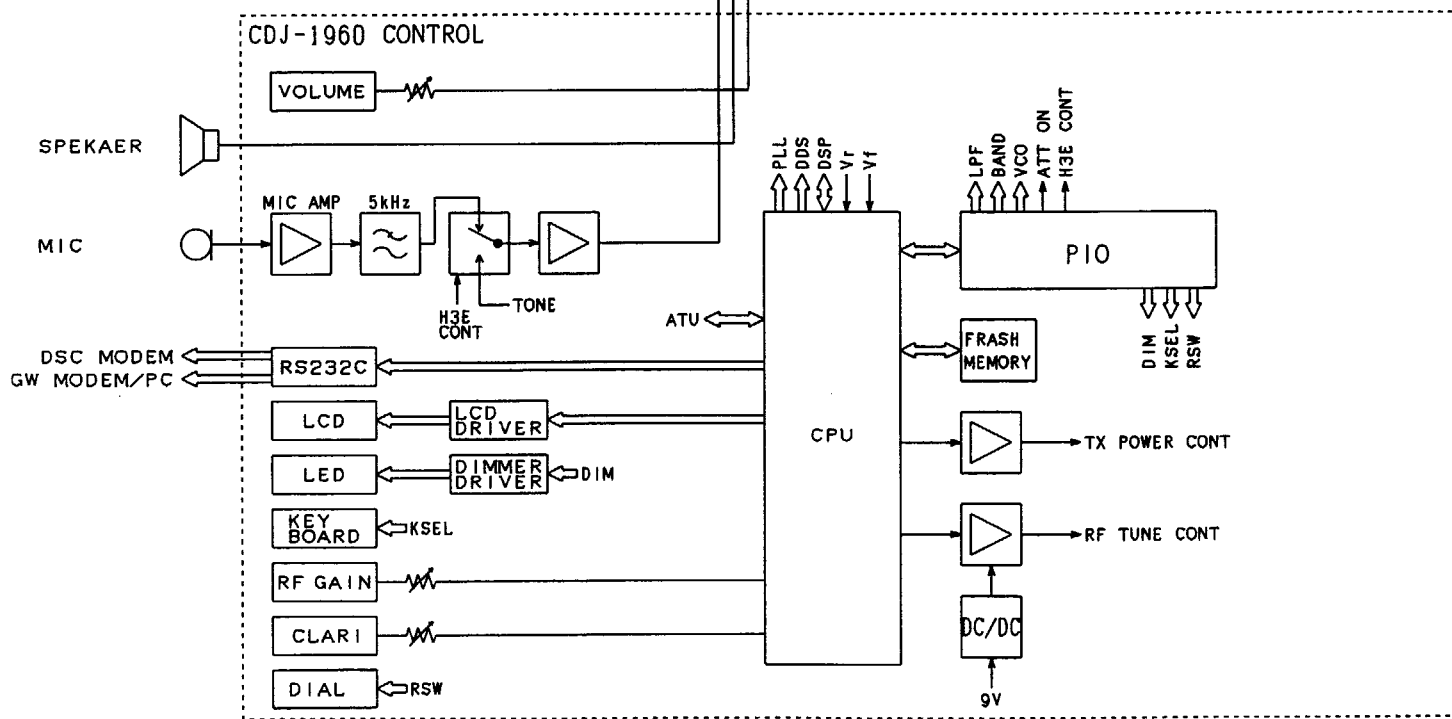
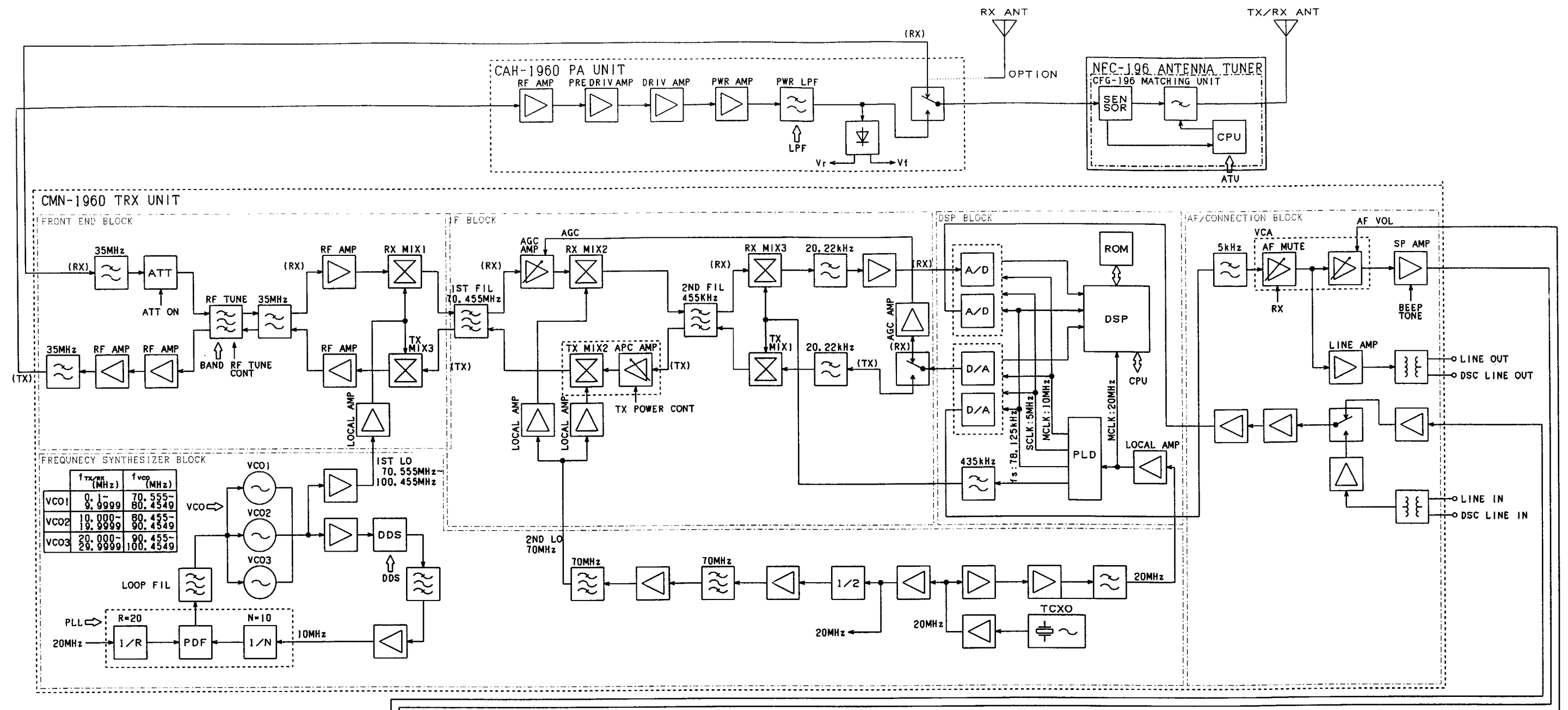




JSB-196GM
TEST CONFIGURATION



NCT-196
BLOCK DIAGRAM



JSB-196GM
BLOCK DIAGRAM