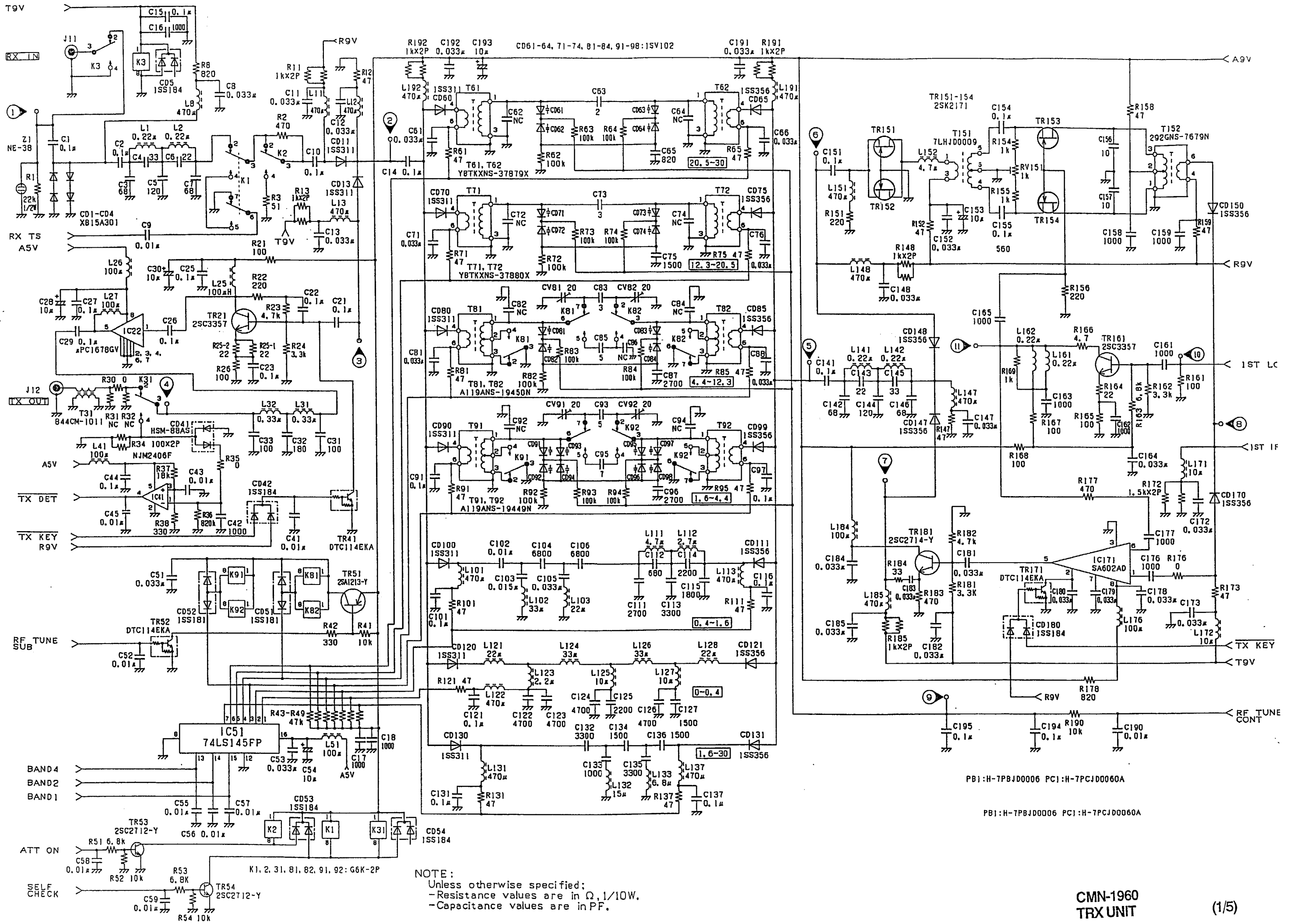


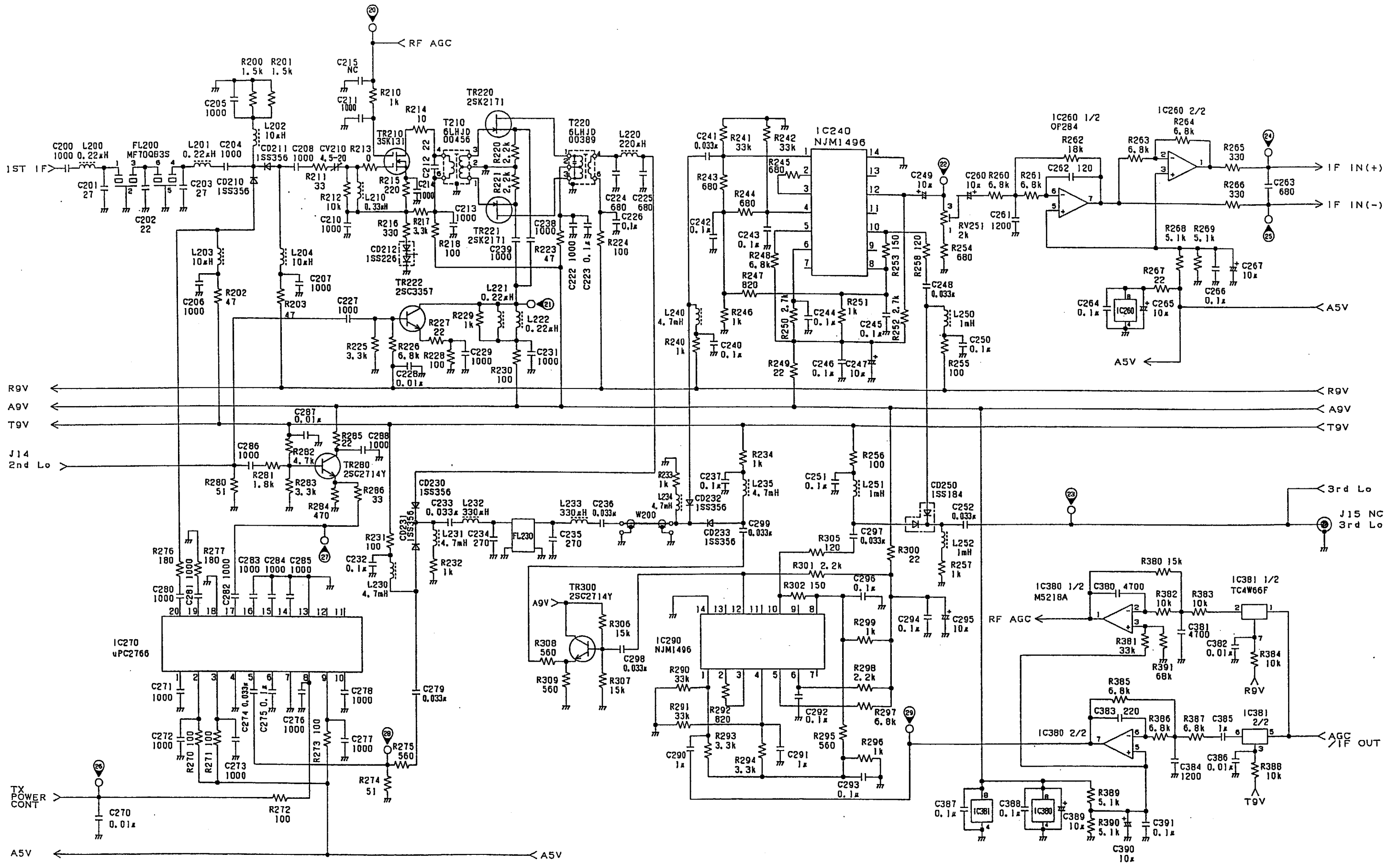
- IC1: HD6413007F20
- IC2: MBM29F400BC-90PFTN
- IC3: H-6DDJ000024
- IC4: MSM6775TS-K
- IC5: M51953BFP
- IC6: TX1181BW
- IC7: MAX922WE
- IC8: T062003AF
- IC9: TC4881F
- IC10: TC74HC4050AFT
- IC11: TC74VHC04FT
- IC12: TC74HC4053AFT
- IC13: NJM2902V
- IC14: NJM2902V
- IC15: TC74HC4050AFT
- IC16: TC74HC4050AFT
- IC17: TC74HC4050AFT
- IC18: TC74HC4050AFT
- IC19: TC74HC4050AFT
- IC20: NJM2904V
- IC21: NJM2903V
- IC22: M51953BFP
- IC23: TC4013BF
- IC24: NJM2902V
- IC25: NJM7809FA
- IC26: NJM7805FA
- IC27: AN77L09M
- X1: AT-51 F=19.6608MHz
- LCD1: H-7WSJ0001A

NOTE: UNLESS OTHERWISE SPECIFIED ALL CAPACITANCE VALUES ARE 0.01uF
 †: No Connected



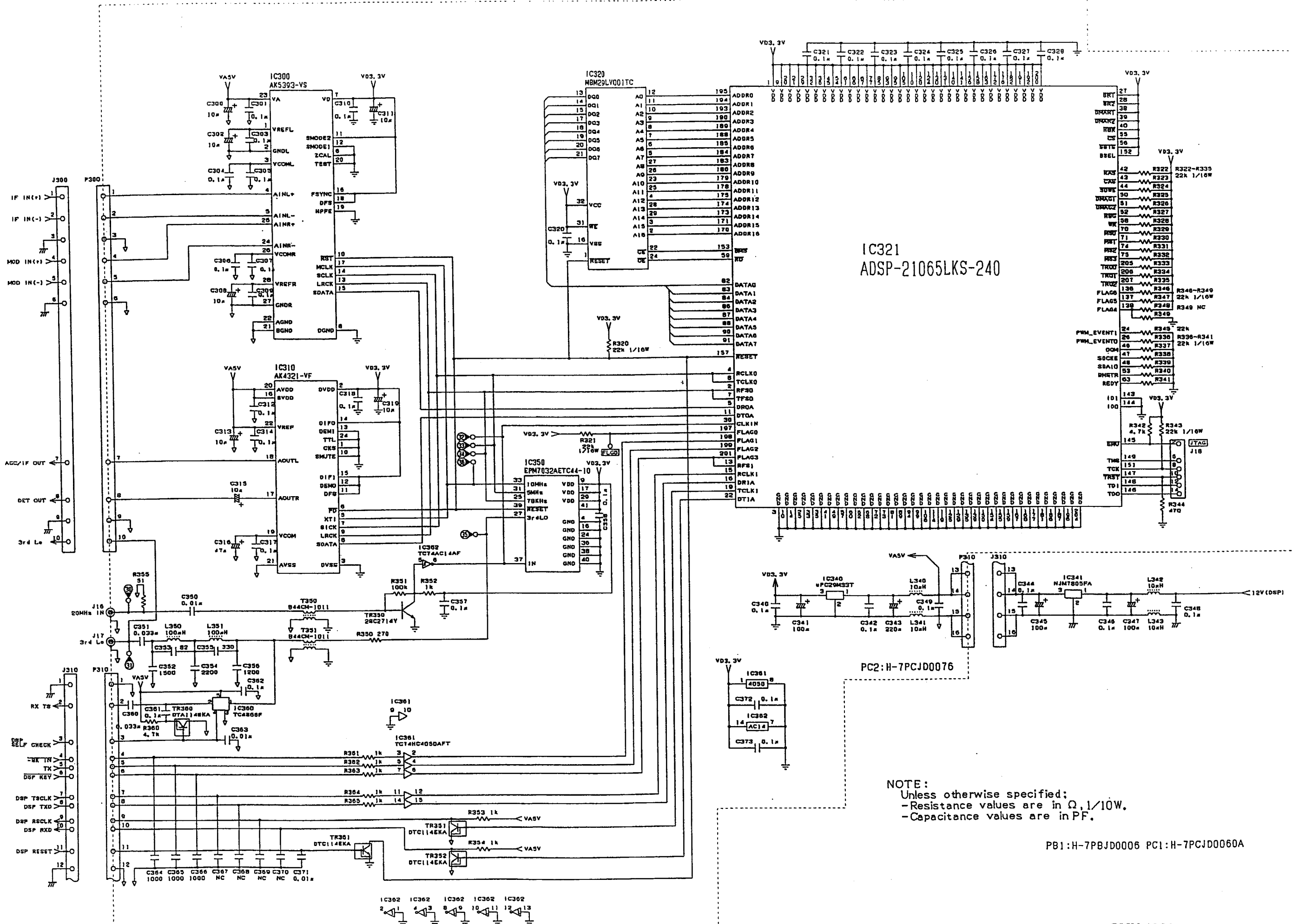
NOTE:
 Unless otherwise specified:
 -Resistance values are in Ω, 1/10W.
 -Capacitance values are in PF.

PB1:H-7PBJD0006 PC1:H-7PCJD0060A
 PB1:H-7PBJD0006 PC1:H-7PCJD0060A



PB1:H-7PBJD0006 PC1:H-7PCJD0060A

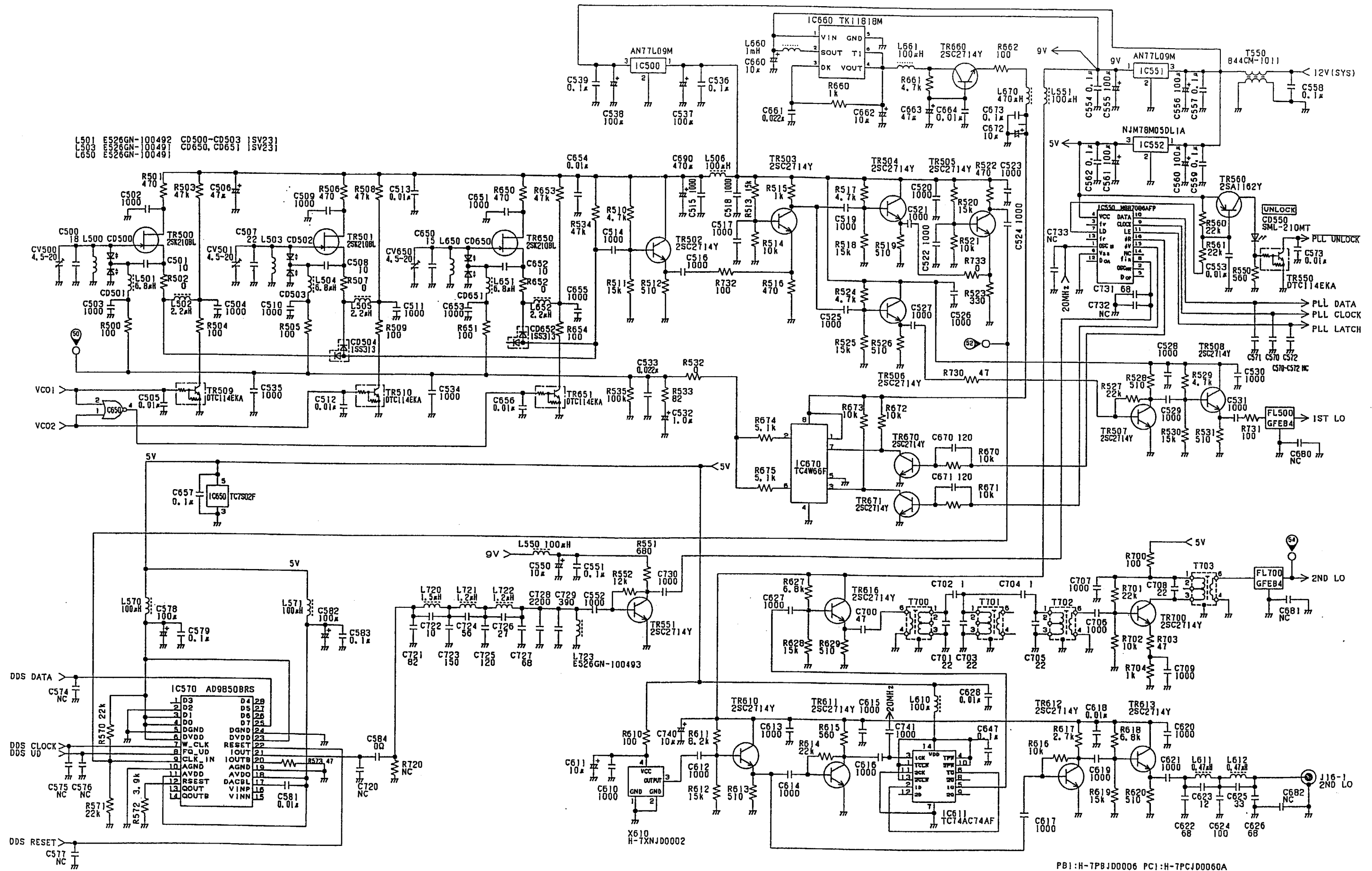
NOTE:
 Unless otherwise specified;
 -Resistance values are in Ω , 1/10W.
 -Capacitance values are in PF.



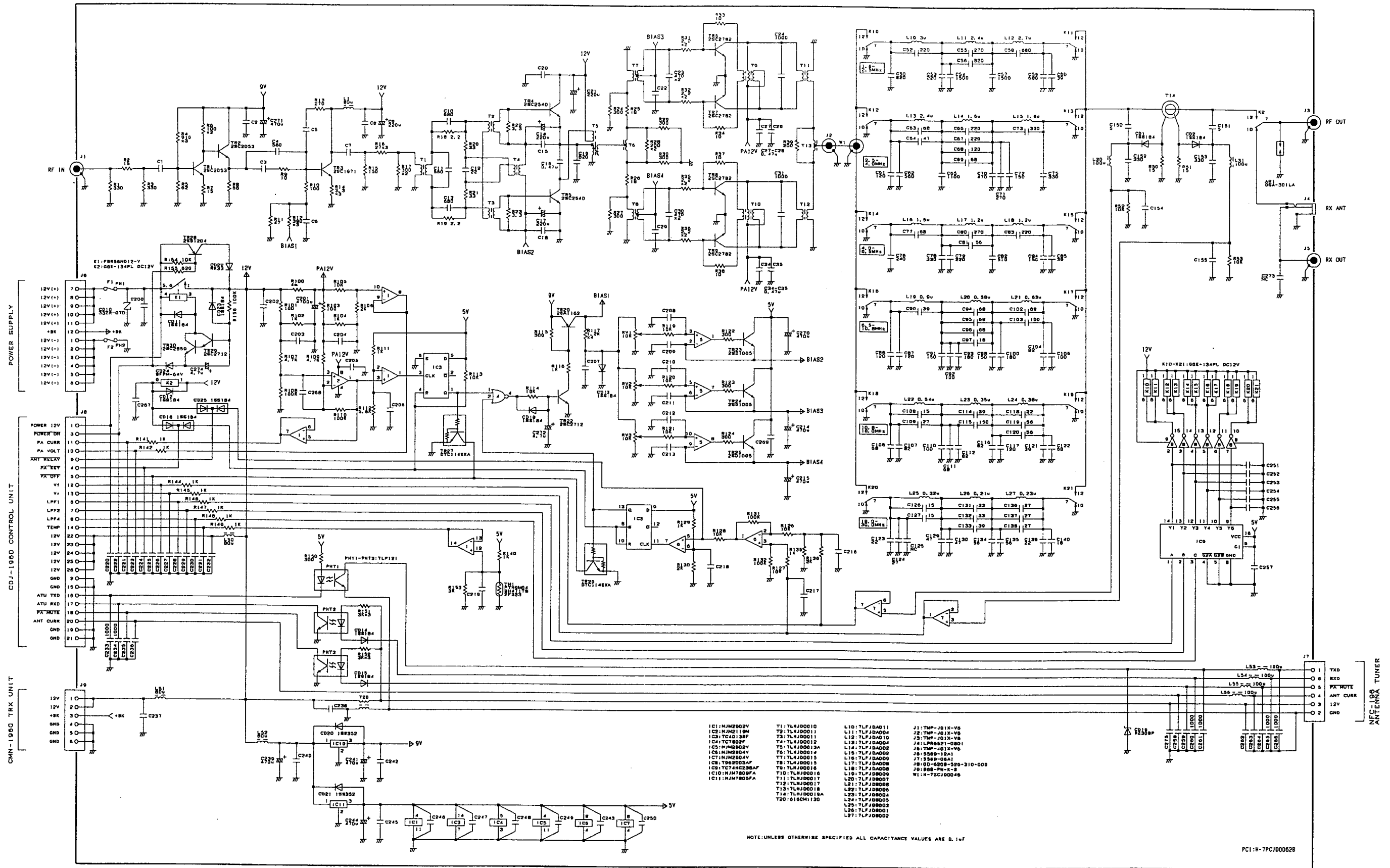
IC321
ADSP-21065LKS-240

NOTE:
Unless otherwise specified;
-Resistance values are in Ω , 1/10W.
-Capacitance values are in PF.

PB1:H-7PBJD0006 PC1:H-7PCJD0060A

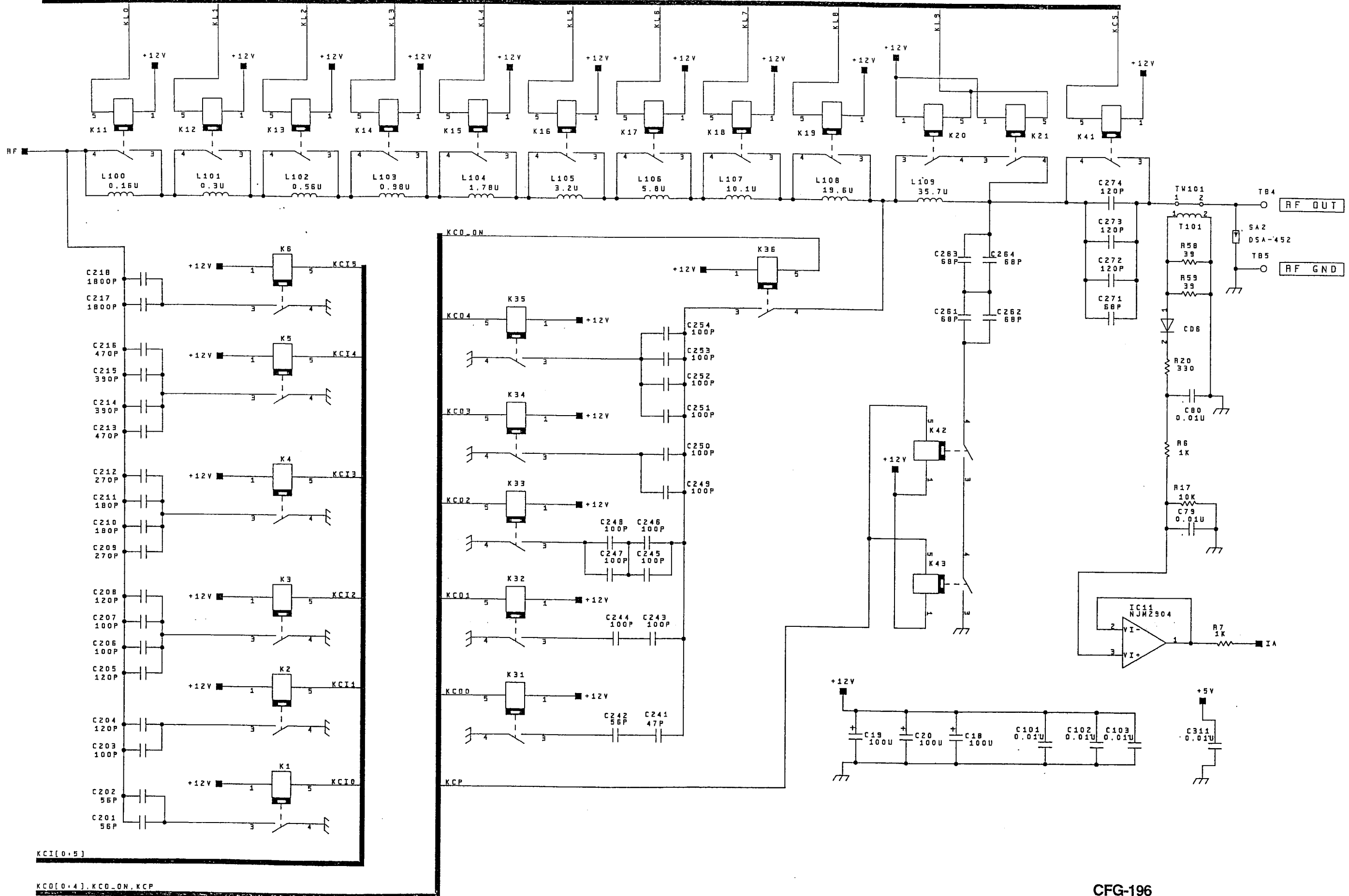


PB1:H-7PB1D0006 PCI:H-7PC1D0060A



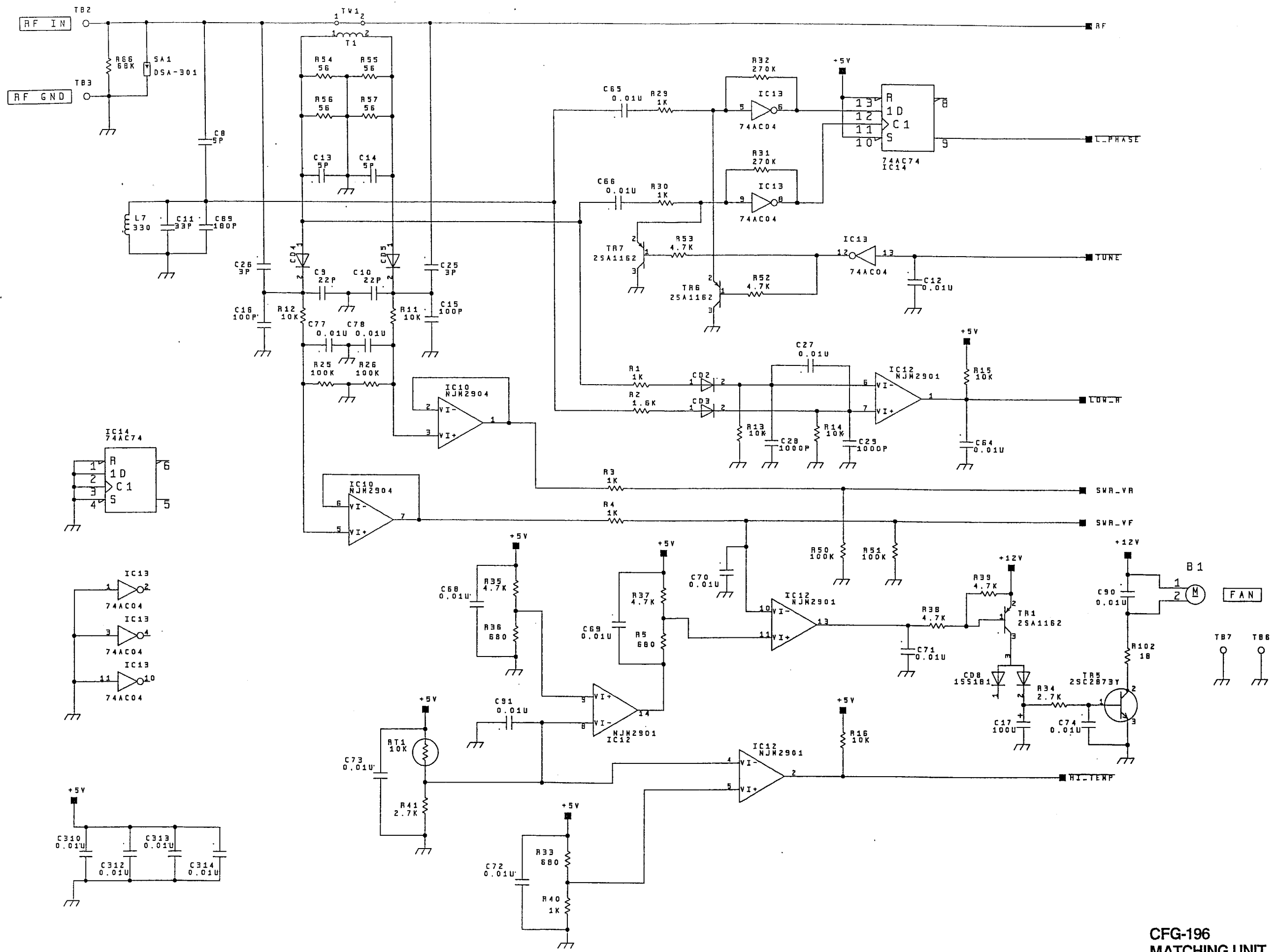
CAH-1960 PA UNIT (1/1)

KL[0.9].KCS

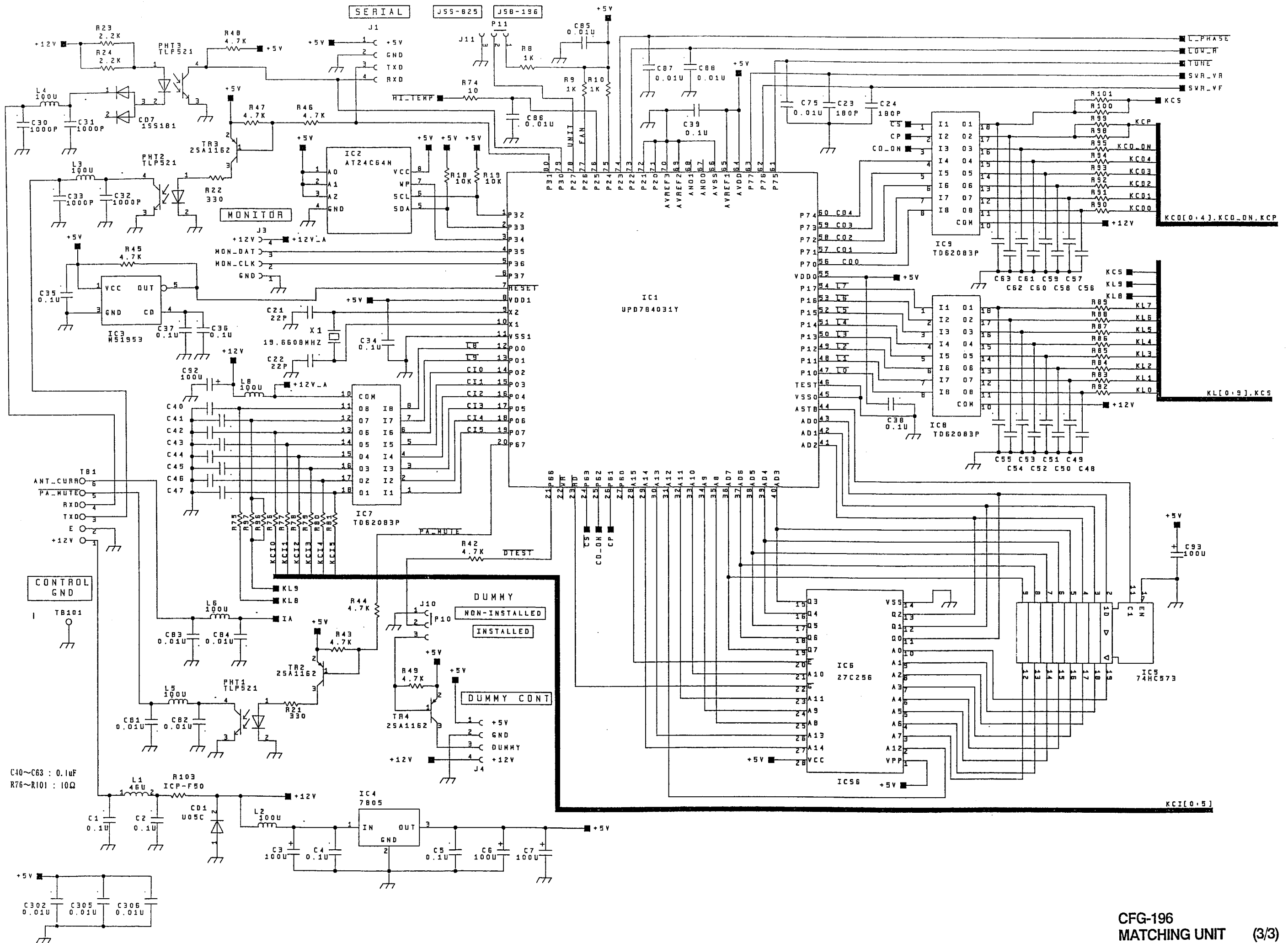


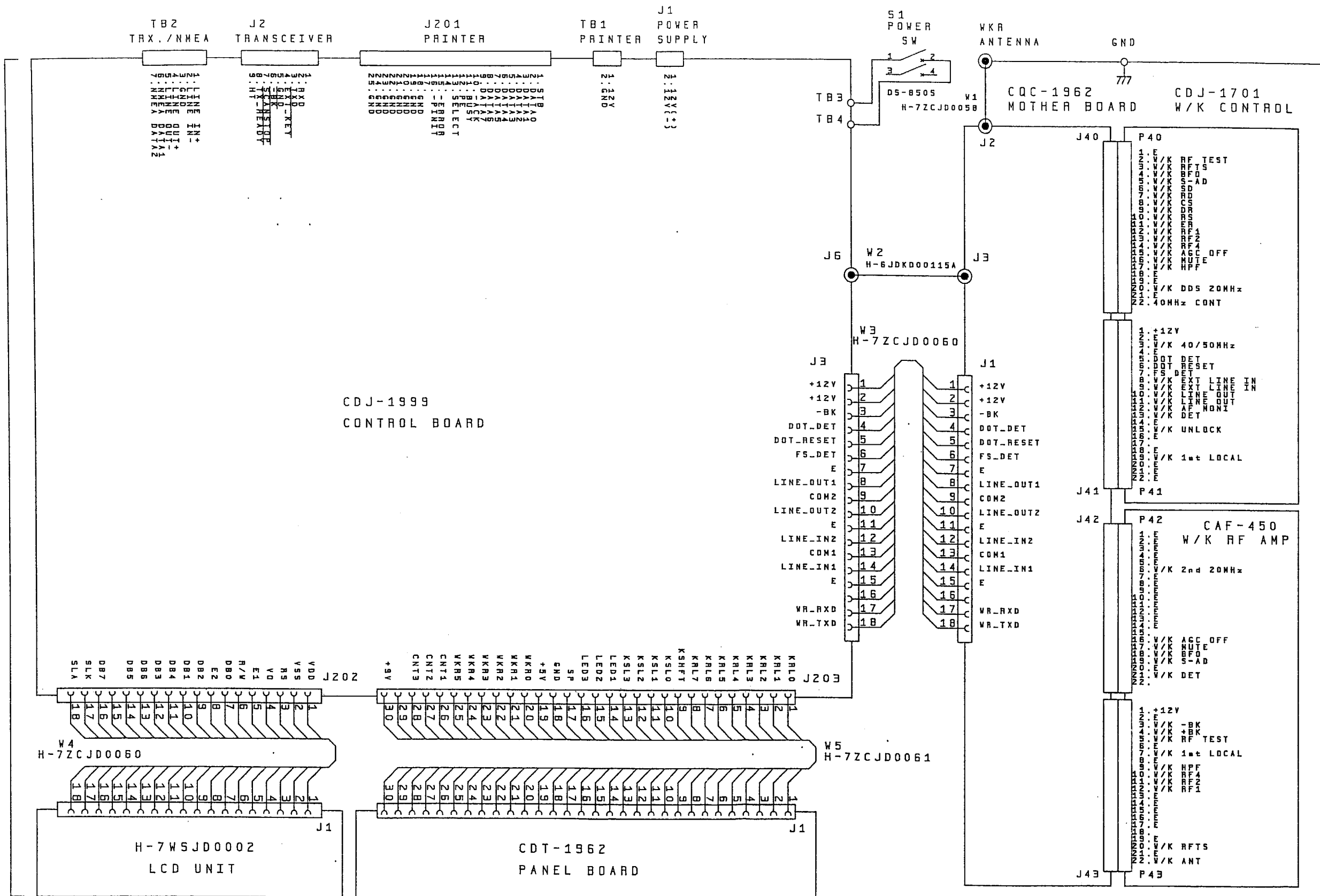
KCI[0.5]

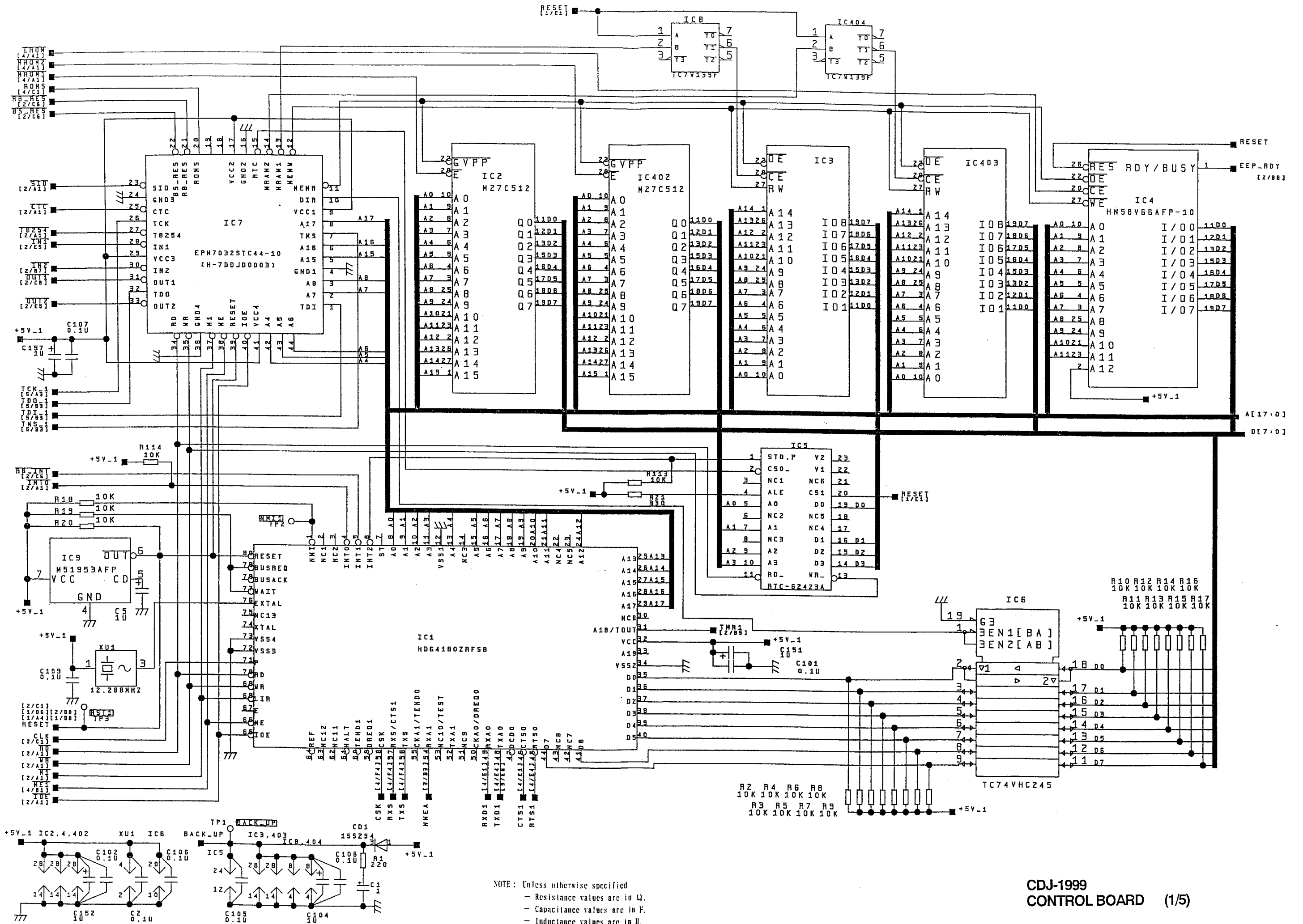
KCO[0.4].KCO_ON.KCP



CFG-196
MATCHING UNIT (2/3)

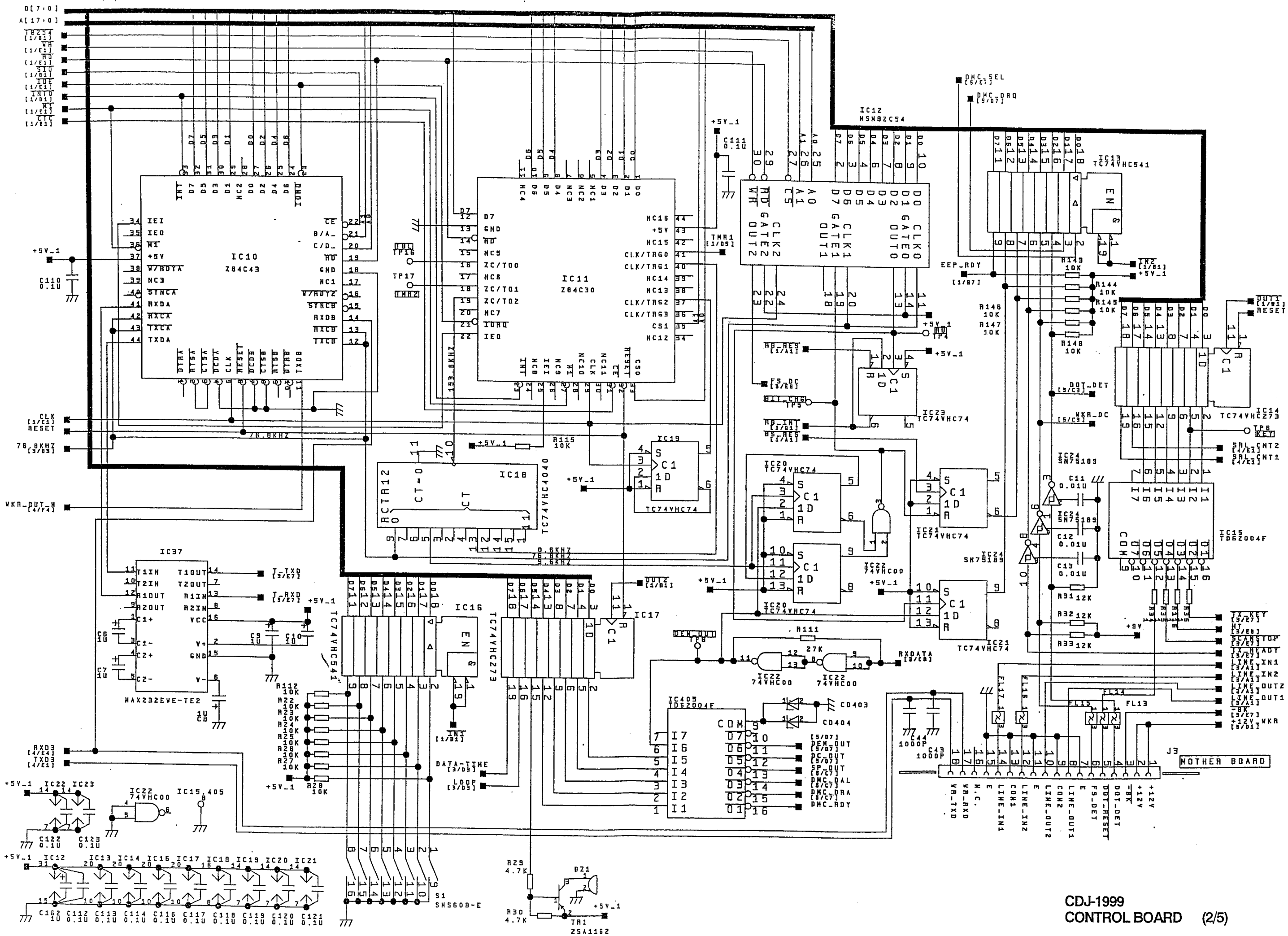




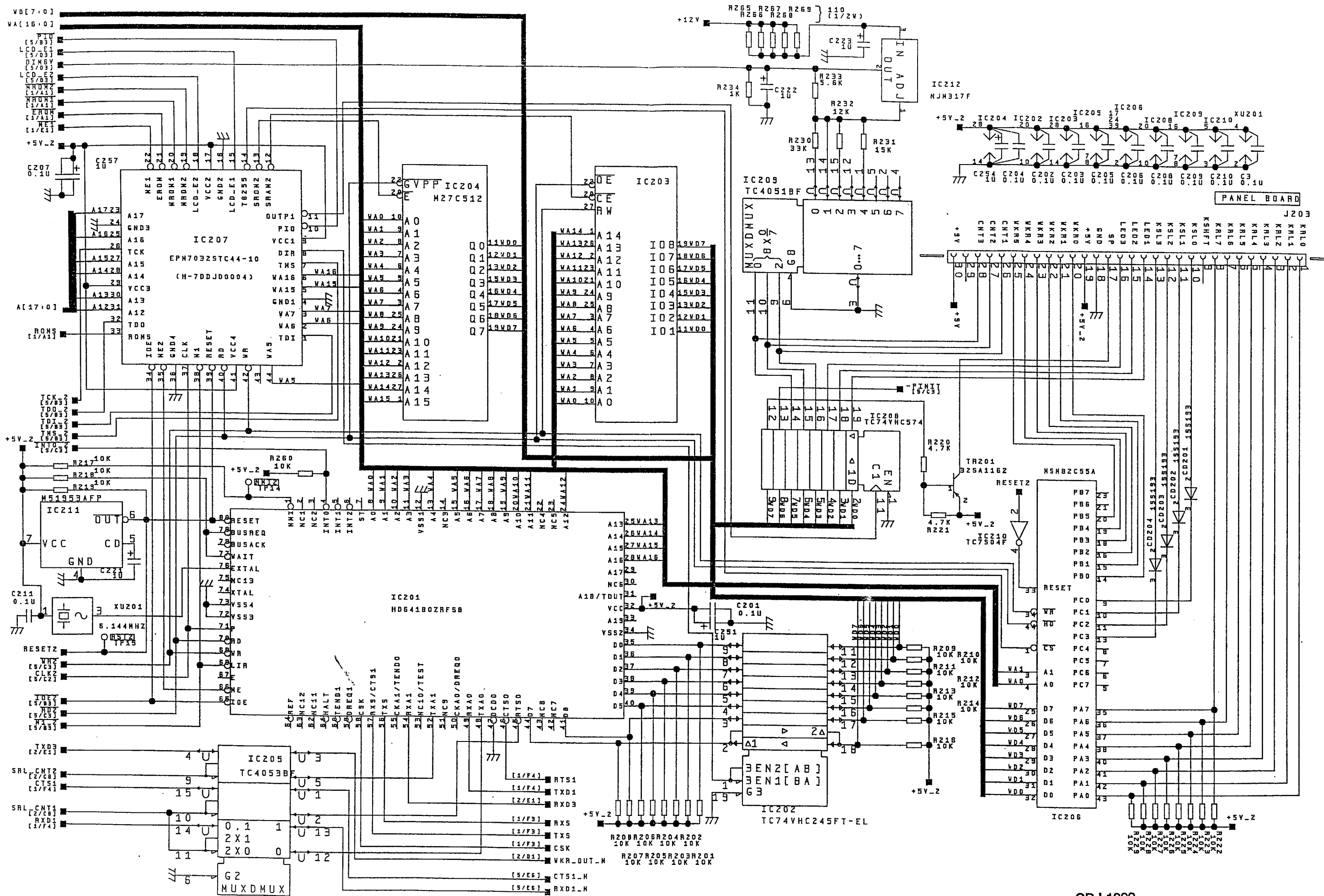


CDJ-1999
CONTROL BOARD (1/5)

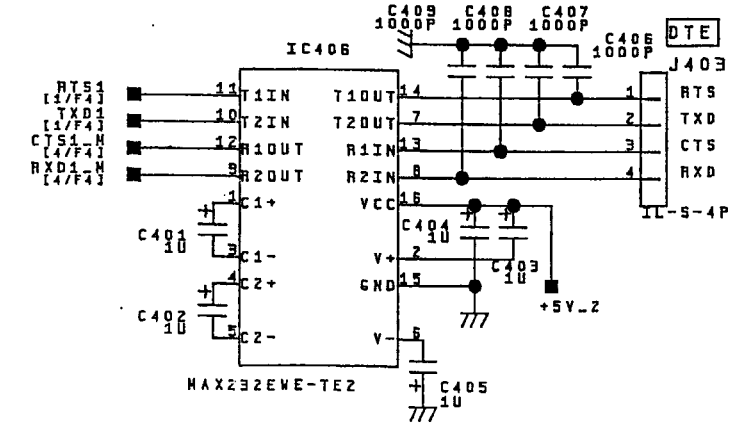
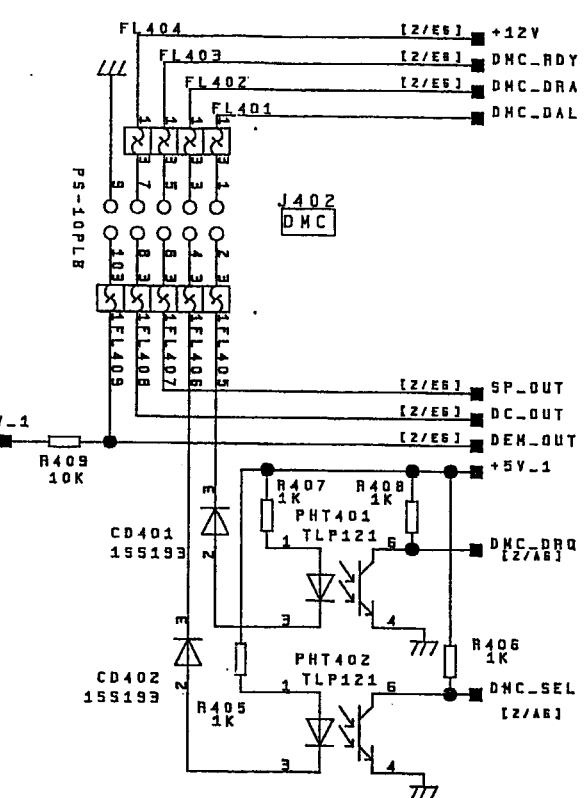
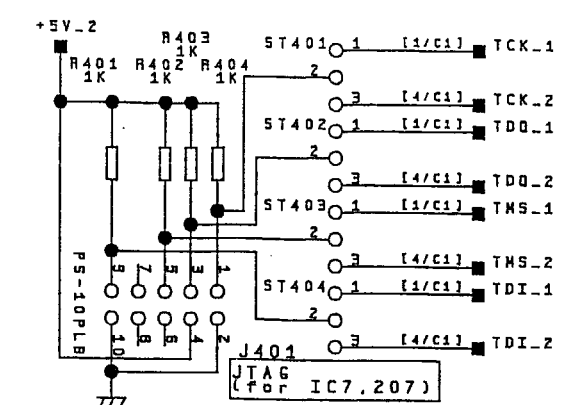
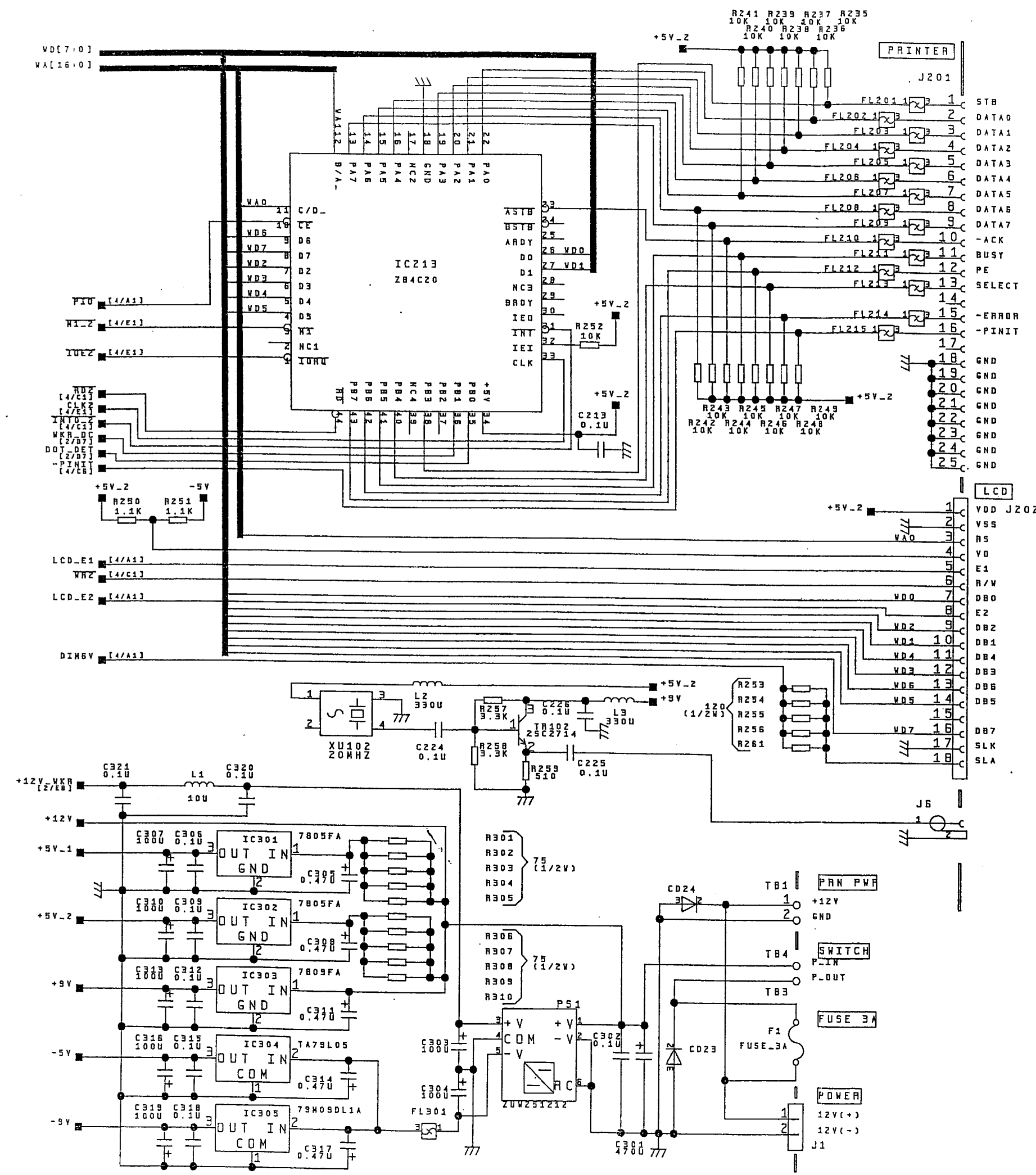
NOTE: Unless otherwise specified
 - Resistance values are in Ω.
 - Capacitance values are in F.
 - Inductance values are in H.

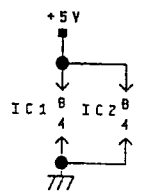
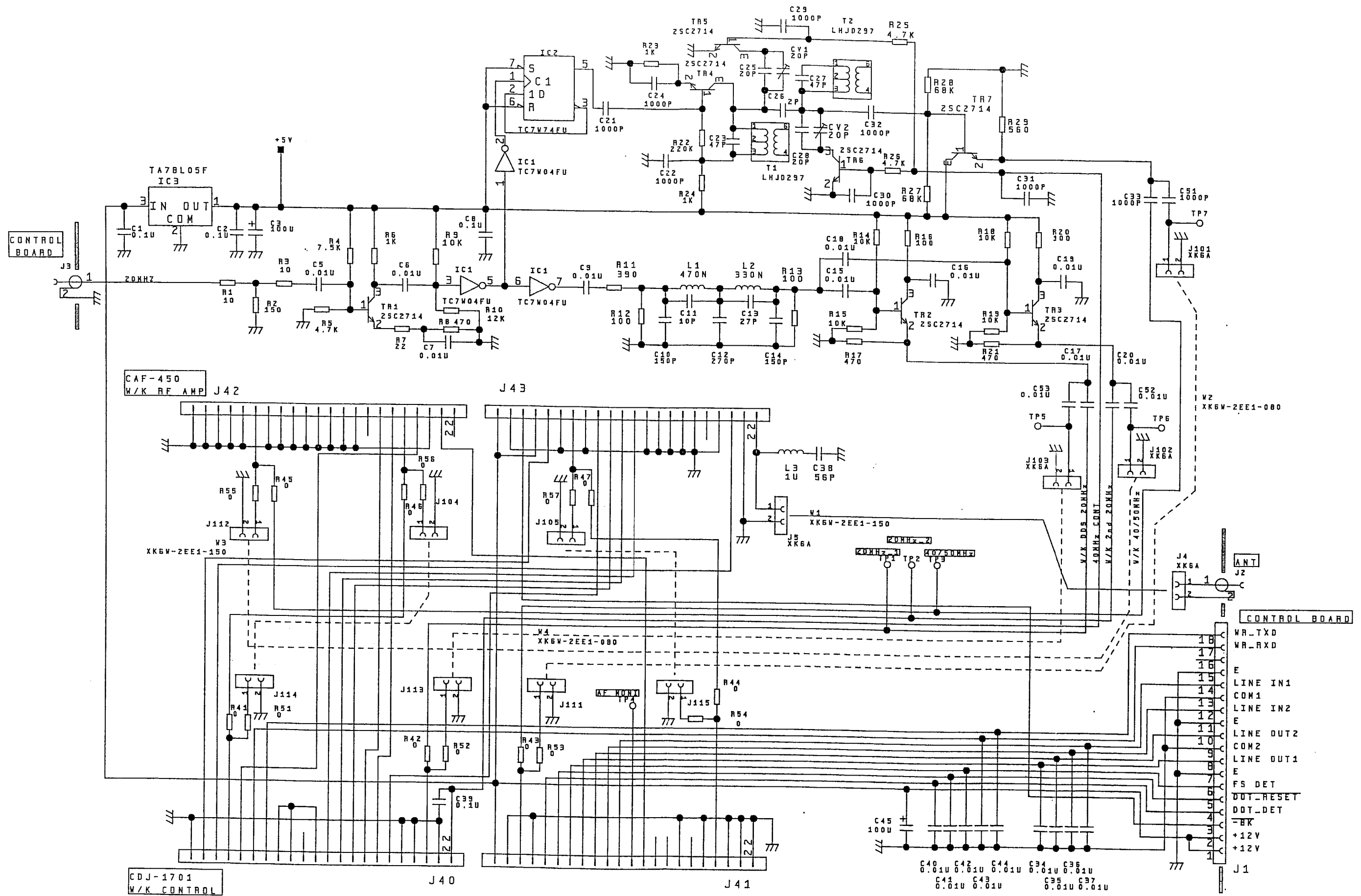


CDJ-1999
CONTROL BOARD (2/5)



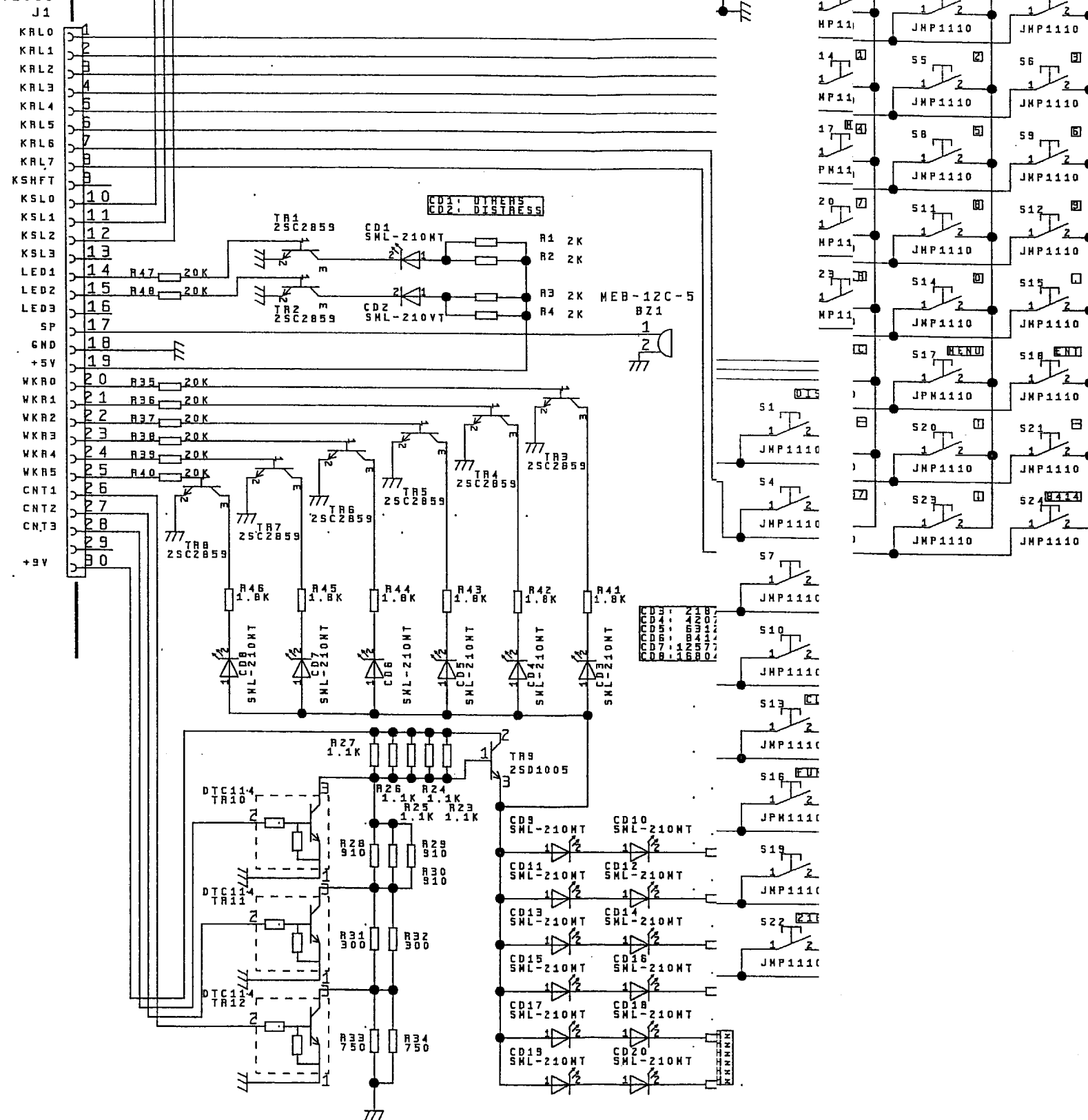
CDJ-1999 CONTROL BOARD (4/5)



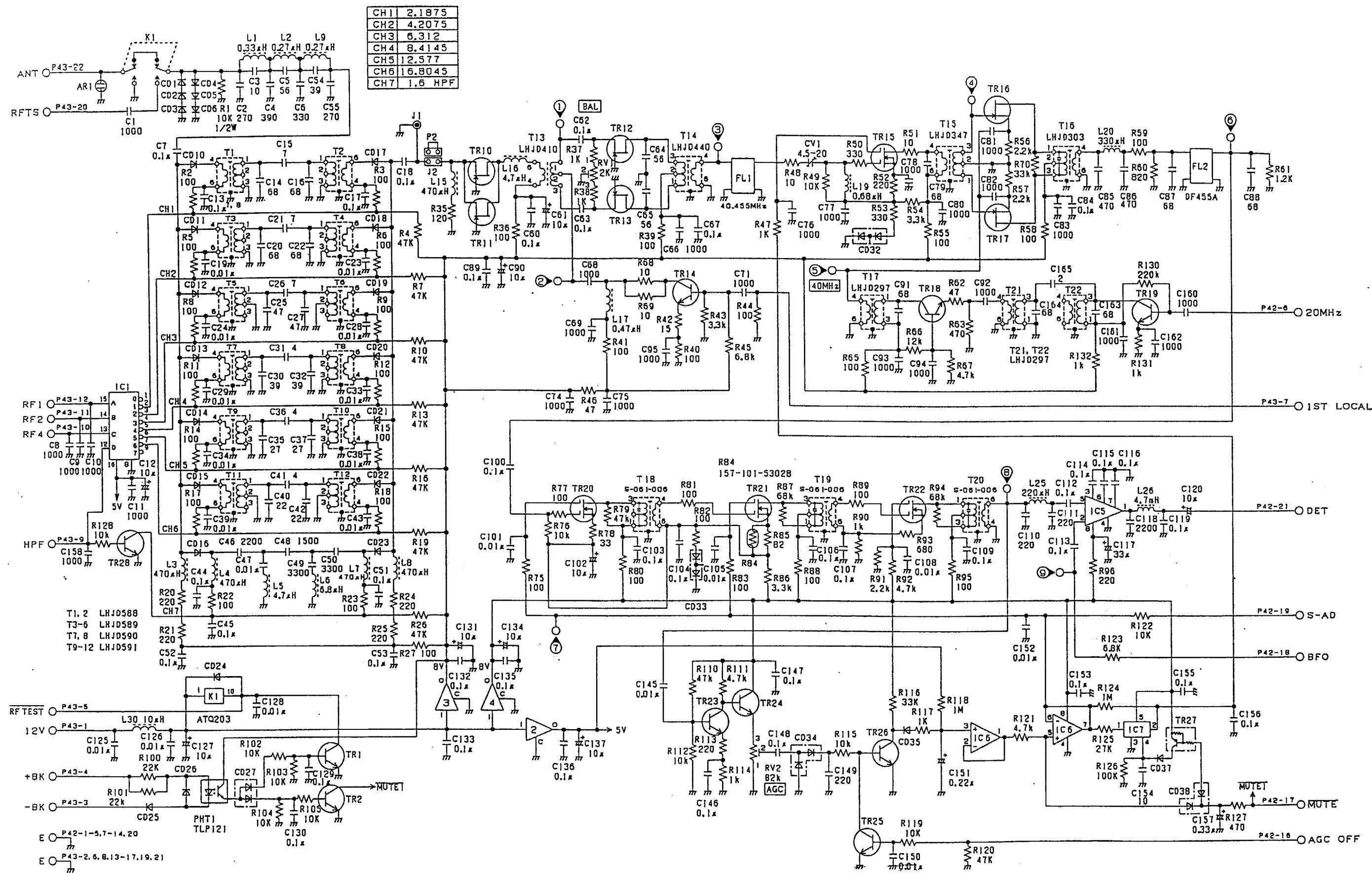


NOTE: Unless otherwise specified
 - Resistance values are in Ω .
 - Capacitance values are in F.
 - Inductance values are in H.

00-6208-530-410-000

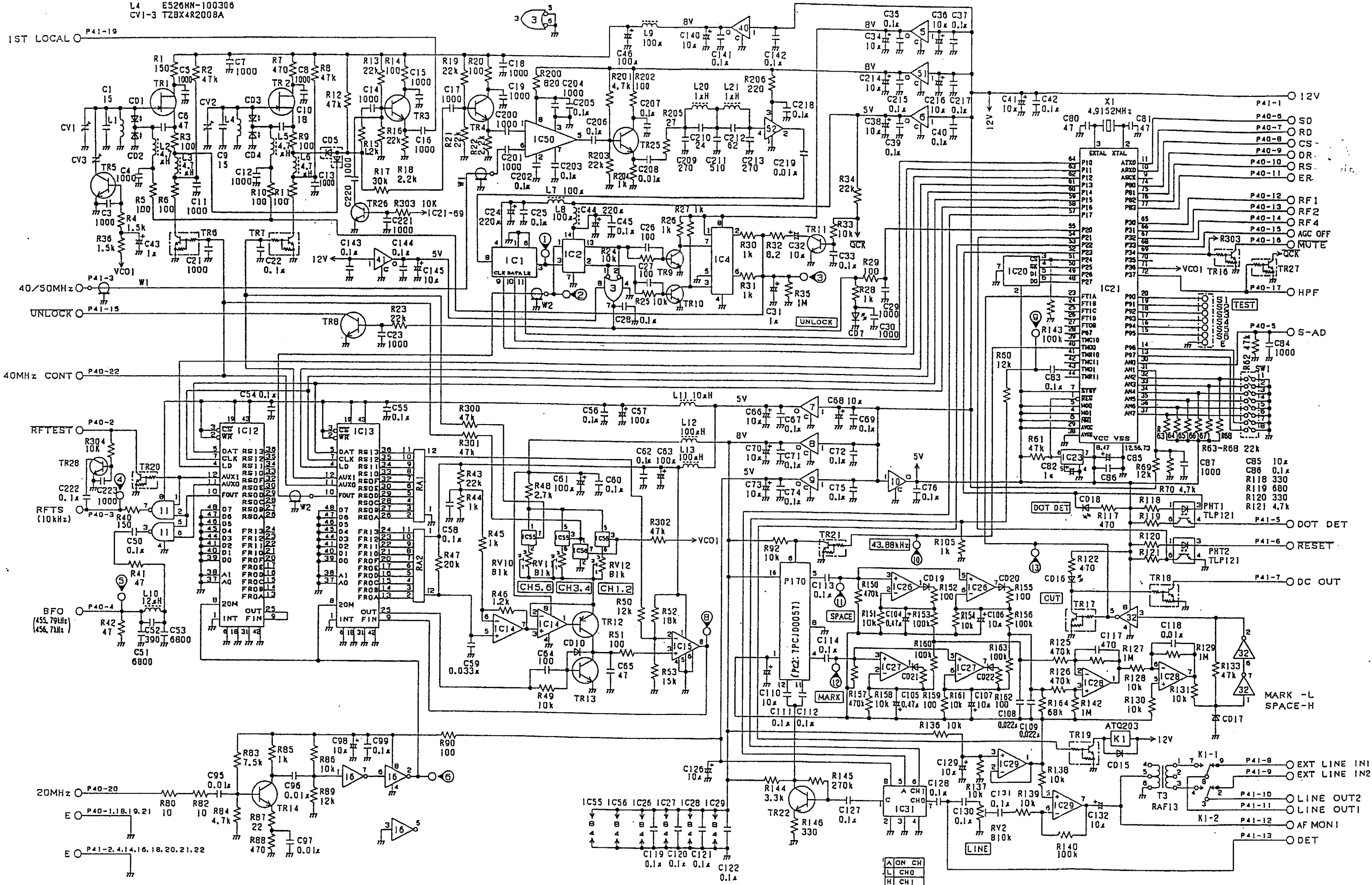


NOTE: Unless otherwise specified
 - Resistance values are in Ω .
 - Capacitance values are in F.



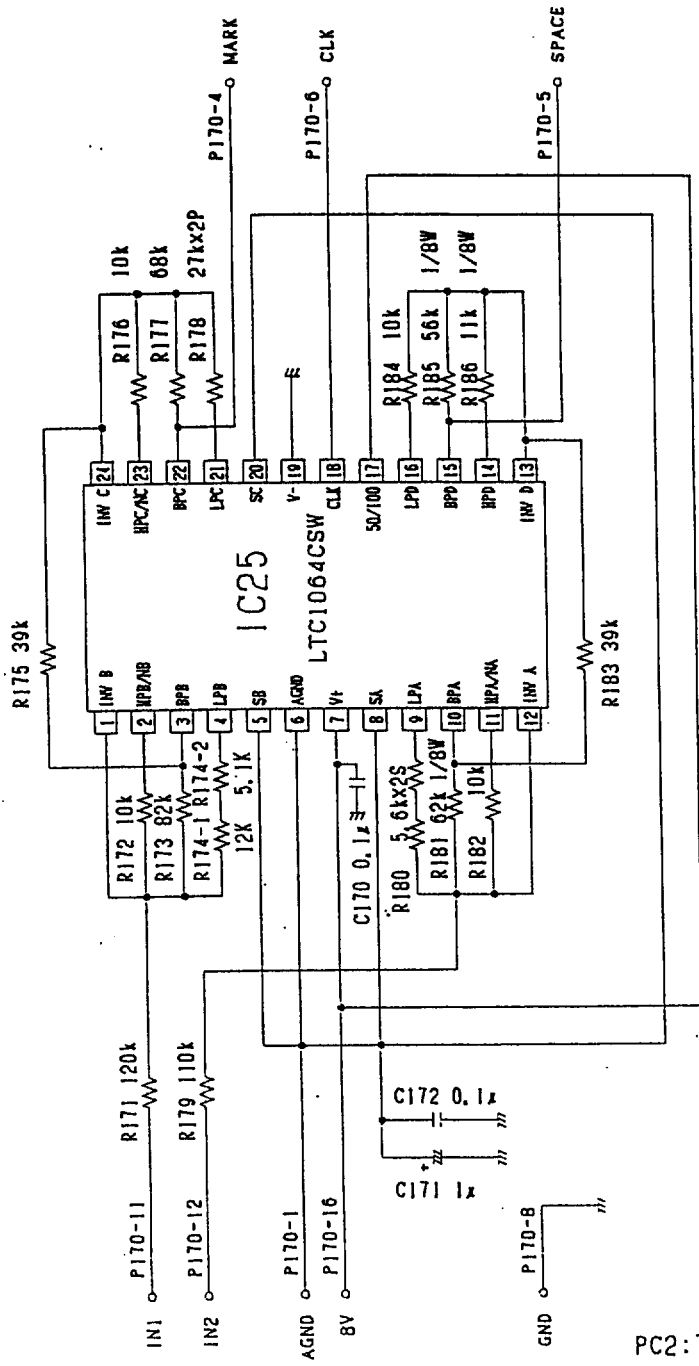
NOTE:
 Unless otherwise specified:
 -Resistance values are in Ω , 1/10W.
 -Capacitance values are in PF.

L1 E526HN-100308
 L4 E526HN-100306
 CV1-3 TZBX4R2008A



6PCJ008898

NOTE:
 Unless otherwise specified:
 -Resistance values are in Ω , 1/10W,
 -Capacitance values are in PF.



PC2:7PCJD0057

NOTE:
 U - Class otherwise specified;
 -R - Resistor values are in Ω, 1/10W.
 -C - Capacitor values are in PF.