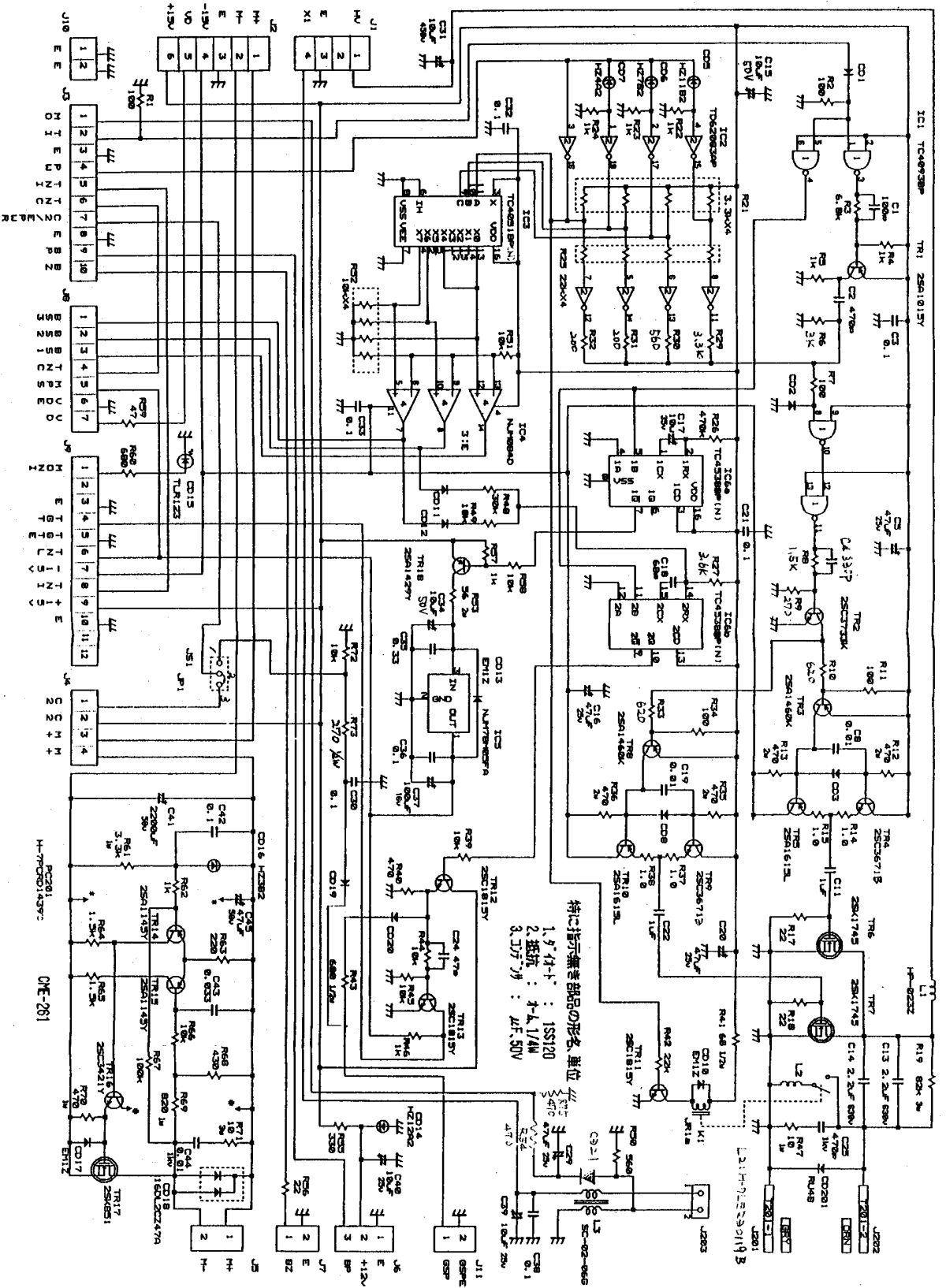


空中線機名	送受信機名	受信部名	受信部名
NKE-1065(10kW)	NZ-110(10kW)	NM-469	NRG-210
NKE-1062(8kW)	NZ-106(8kW)	NM-473	NRG-210

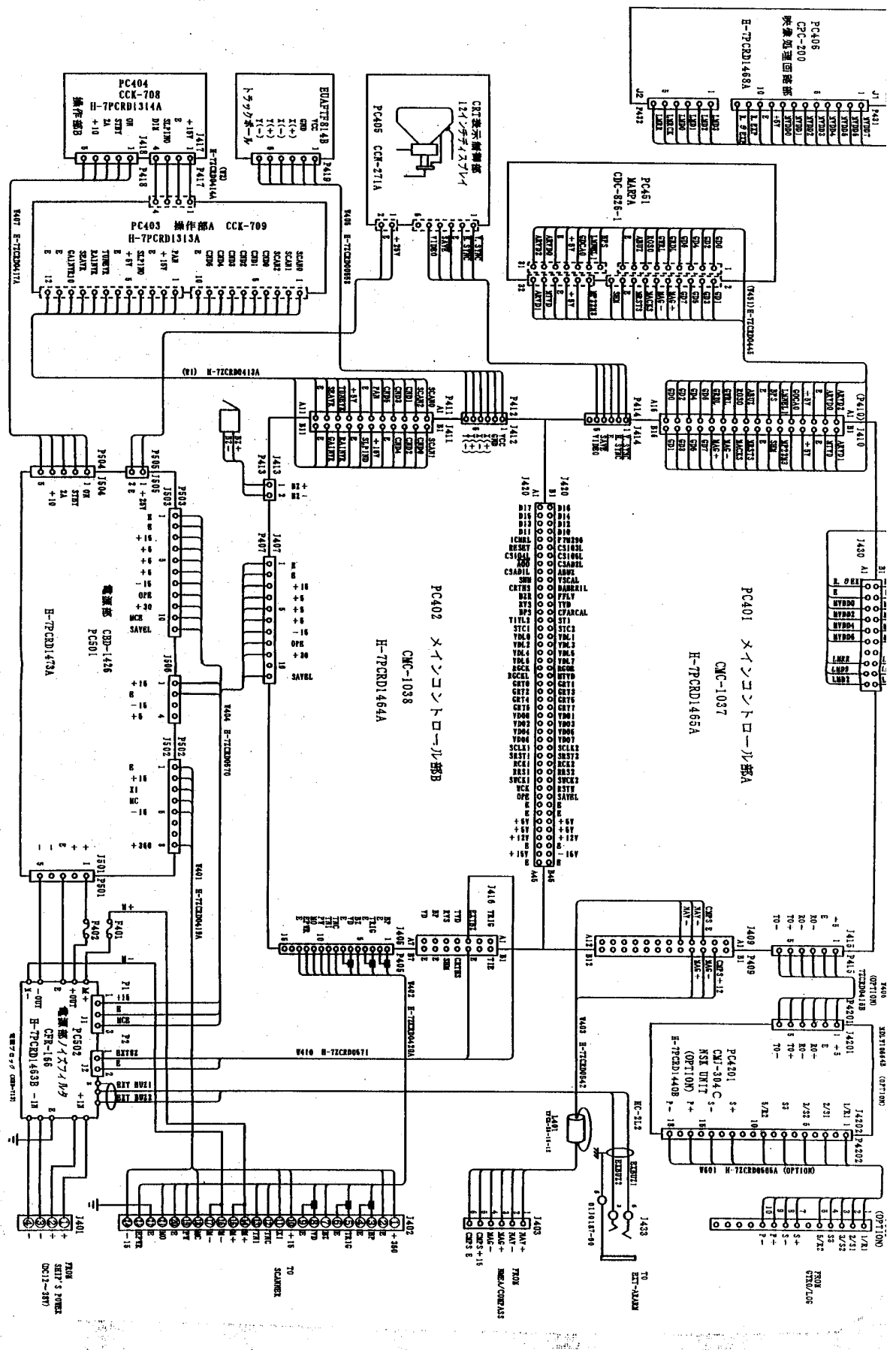
INTERNAL CONNECTION DIAGRAM FOR SCANNER UNIT



特に指示なき部品の形式単位
 1. すべて : 1SS120
 2. 抵抗 : 1/4W, 1/10W
 3. 出力 : 4W, 50V

CIRCUIT DRAWING OF NMA-469/473
 MODULATOR UNIT

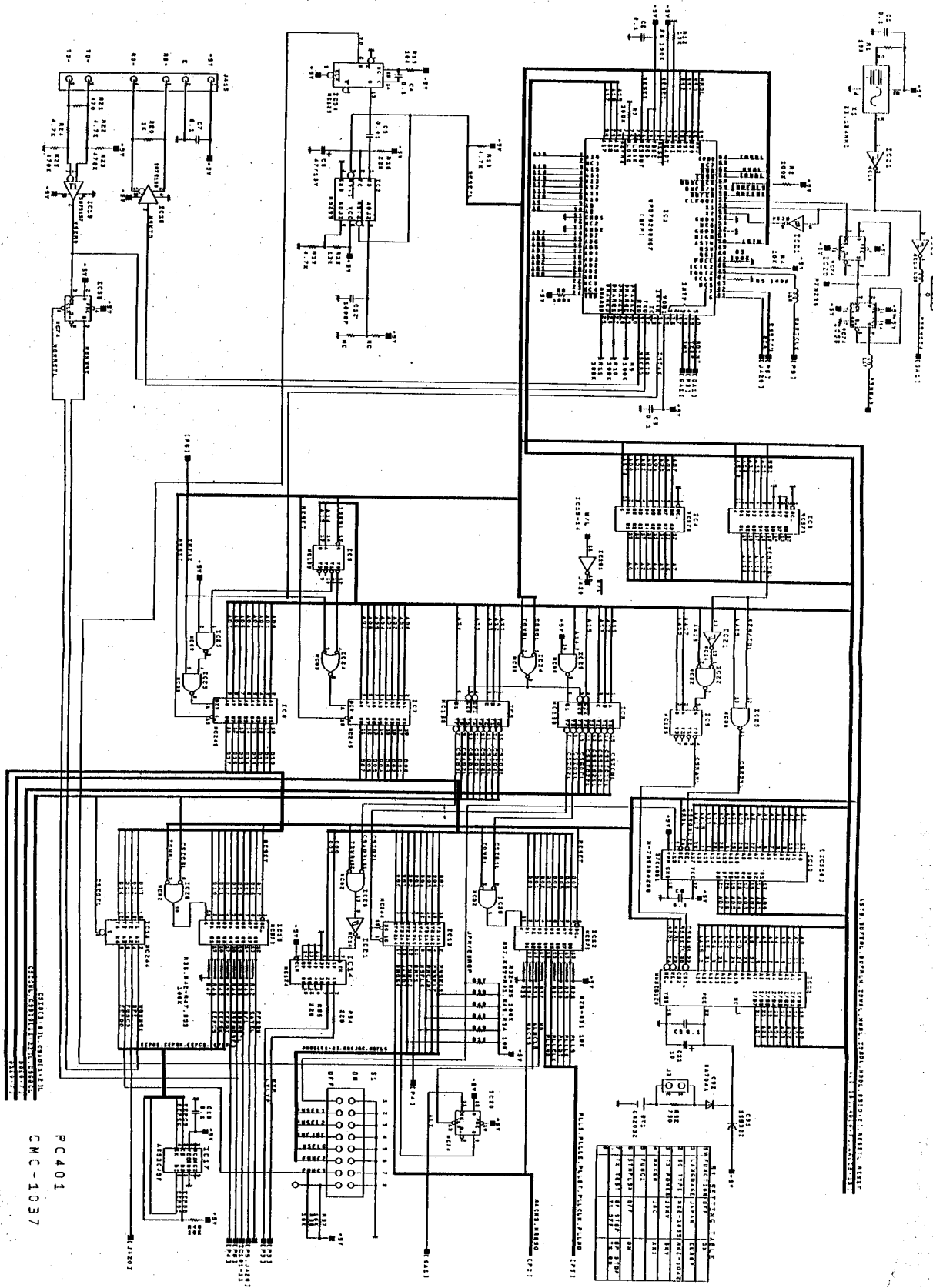
ONE-261



NCD-3860形指示機
JMA-3811/3807レター

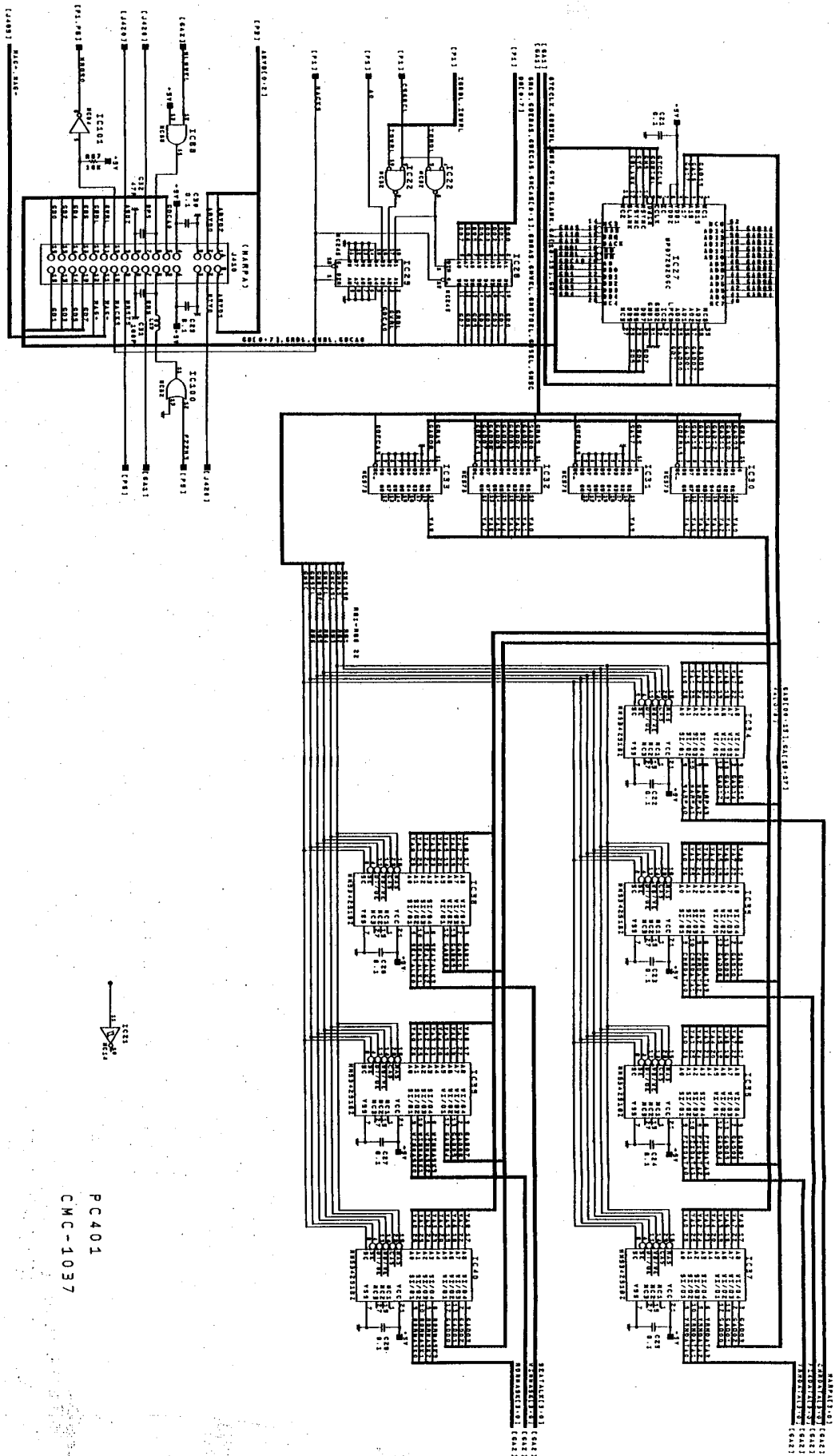
CML-561
機内部

INTERNAL CONNECTION DIAGRAM FOR NCD-3860 DISPLAY UNIT



CIRCUIT DIAGRAM OF CMC-1037 MAIN CONTROL UNIT (1/6)

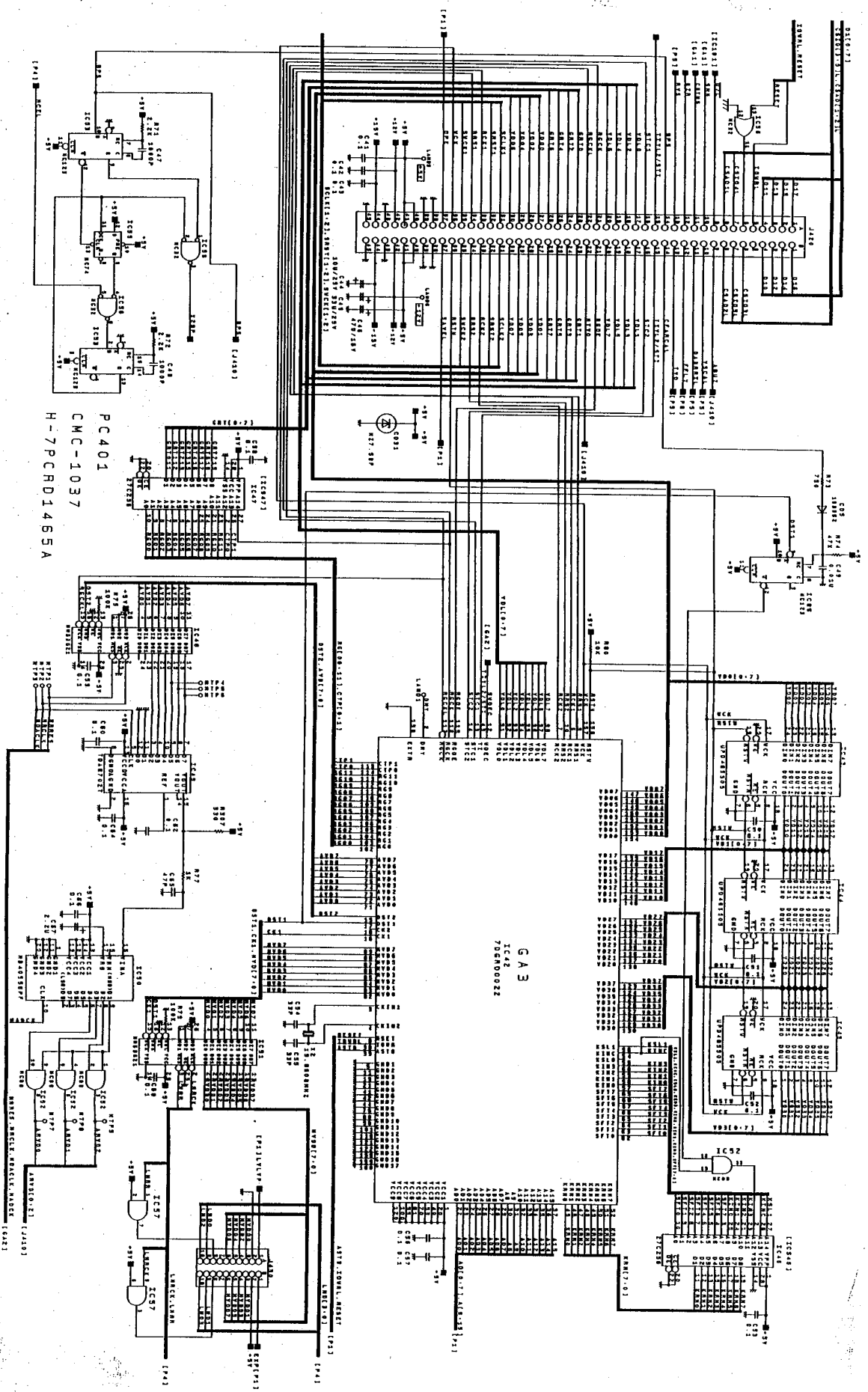
PC401
CMC-1037



CIRCUIT DIAGRAM OF CMC-1037 MAIN CONTROL UNIT (2/6)

PC401
CMC-1037

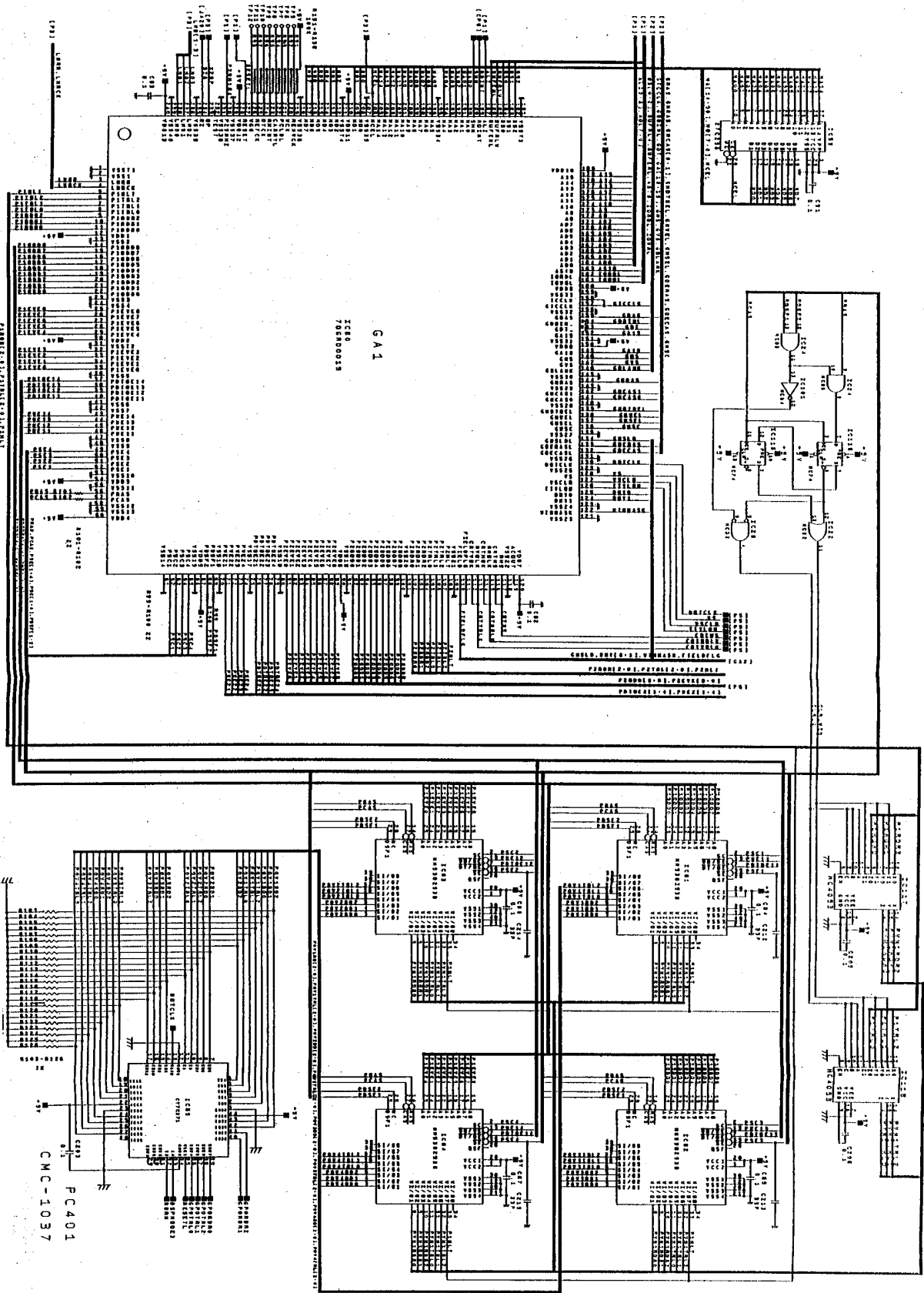
CIRCUIT DIAGRAM OF CMC-1037 MAIN CONTROL UNIT (3/6)



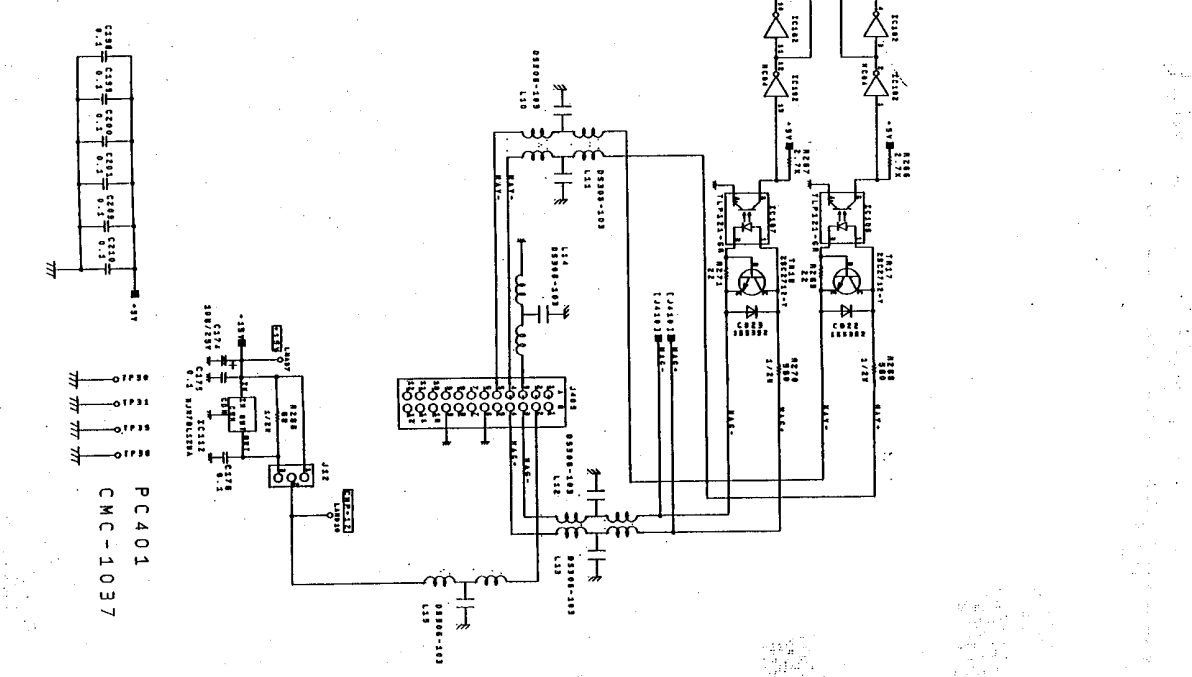
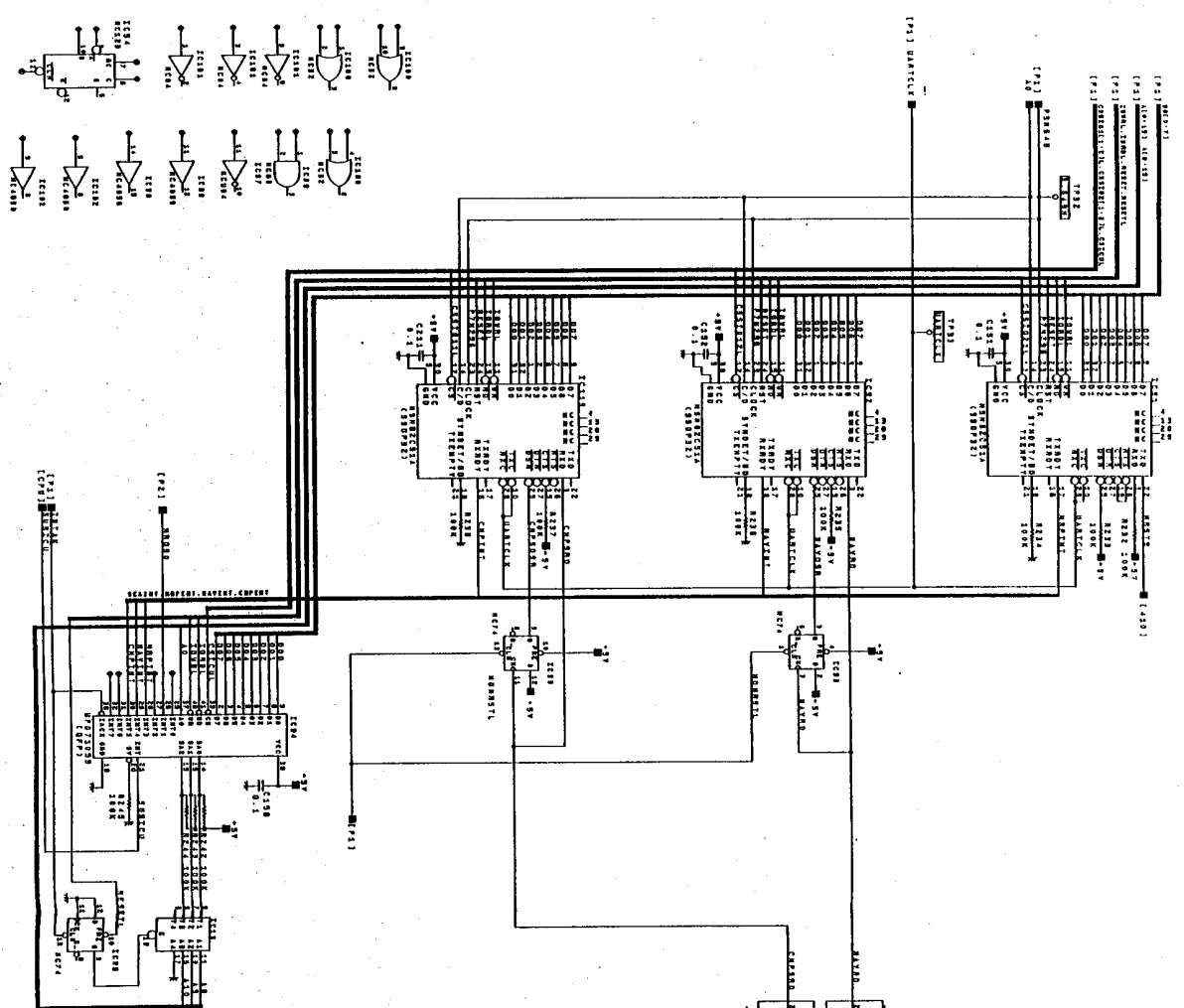
PC401
CMC-1037
H-7PCRD1465A

GA3
IC42
706N00022

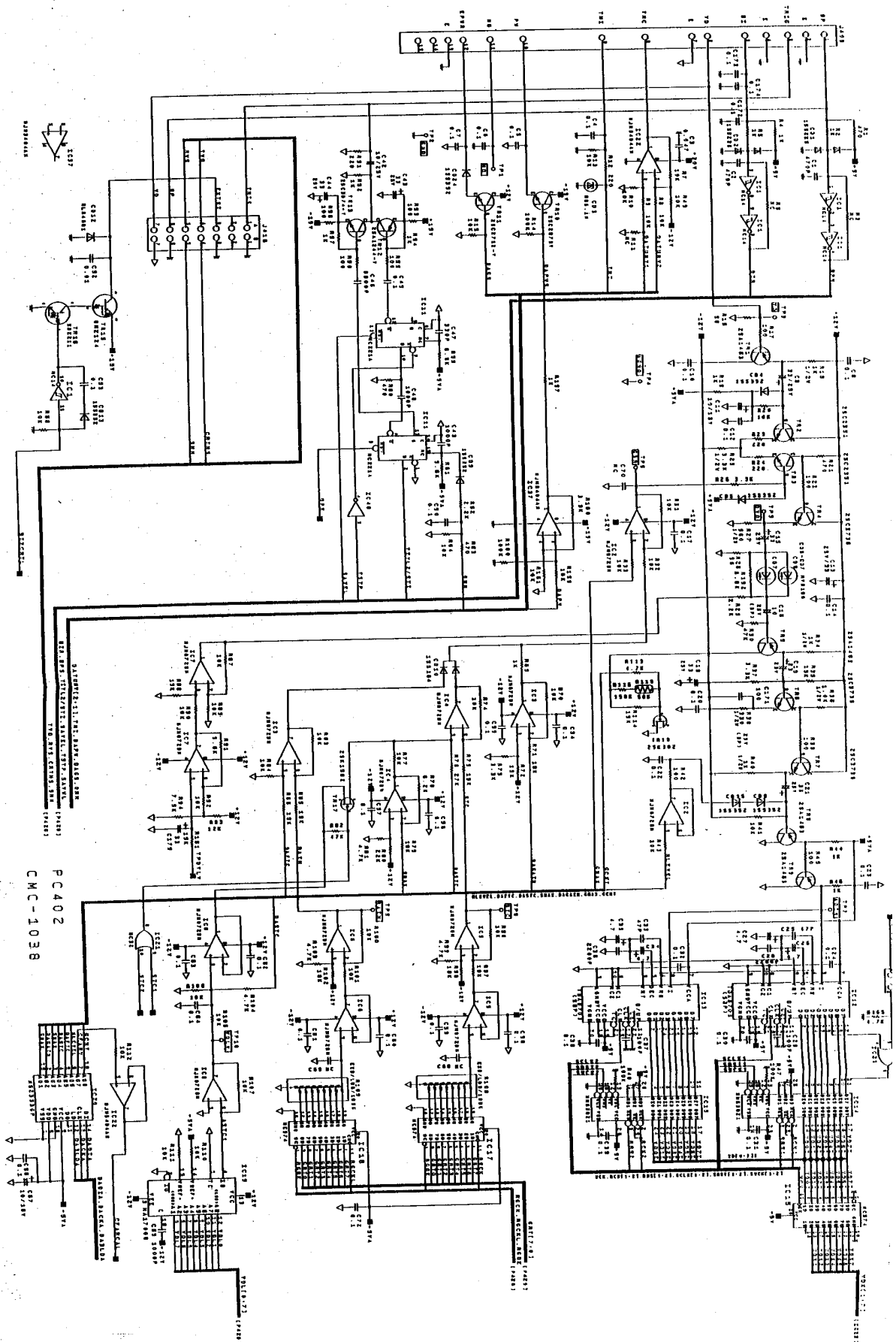
RELAY 1
RELAY 2
RELAY 3
RELAY 4
RELAY 5
RELAY 6
RELAY 7
RELAY 8
RELAY 9
RELAY 10
RELAY 11
RELAY 12
RELAY 13
RELAY 14
RELAY 15



CIRCUIT DIAGRAM OF CMC-1037 MAIN CONTROL UNIT (4/6)

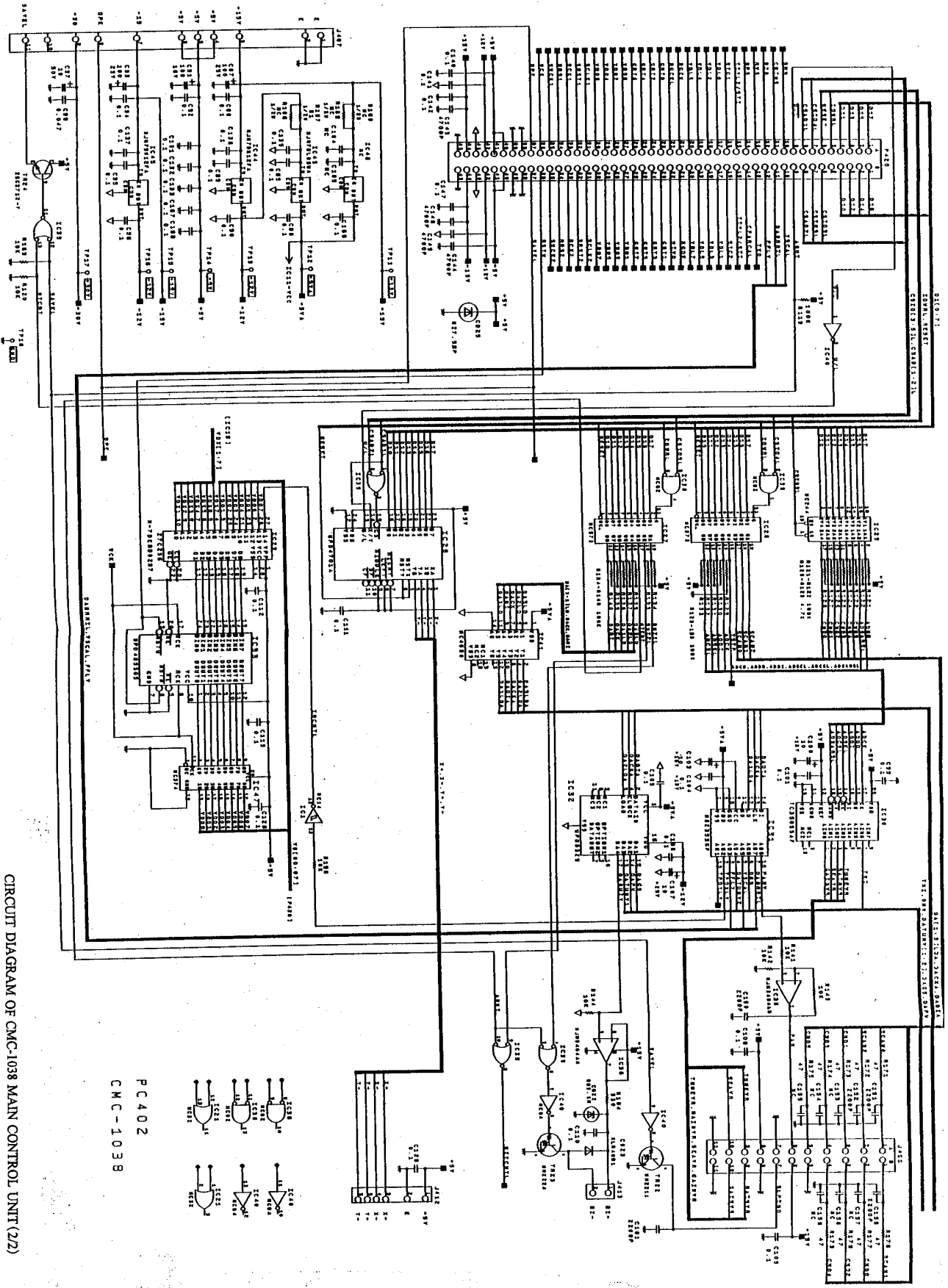


CIRCUIT DIAGRAM OF CMC-1037 MAIN CONTROL UNIT (6/6)



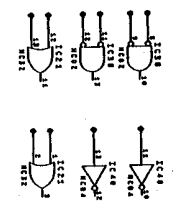
PC402
CMC-1038

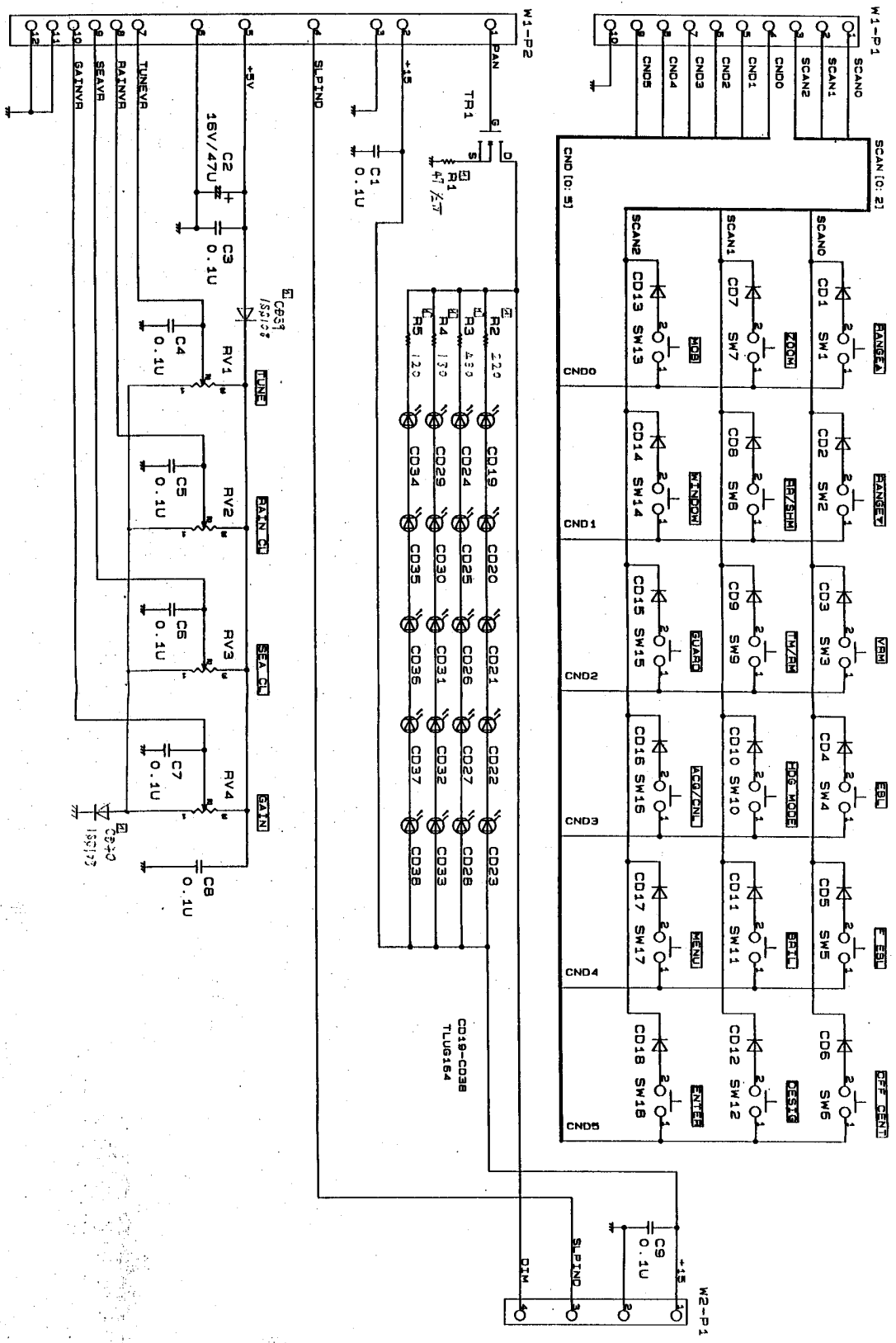
CIRCUIT DIAGRAM OF CMC-1038 MAIN CONTROL UNIT (1/2)



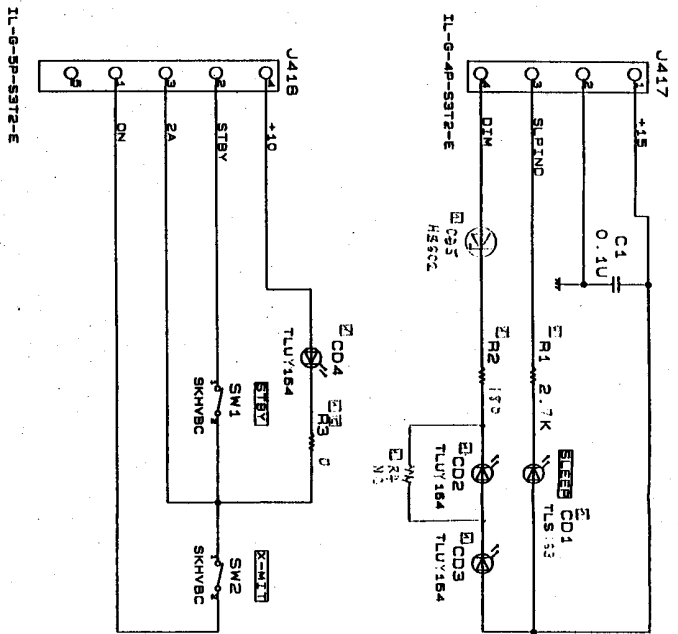
CIRCUIT DIAGRAM OF CMC-1038 MAIN CONTROL UNIT (2/2)

PCA02
CMC-1038

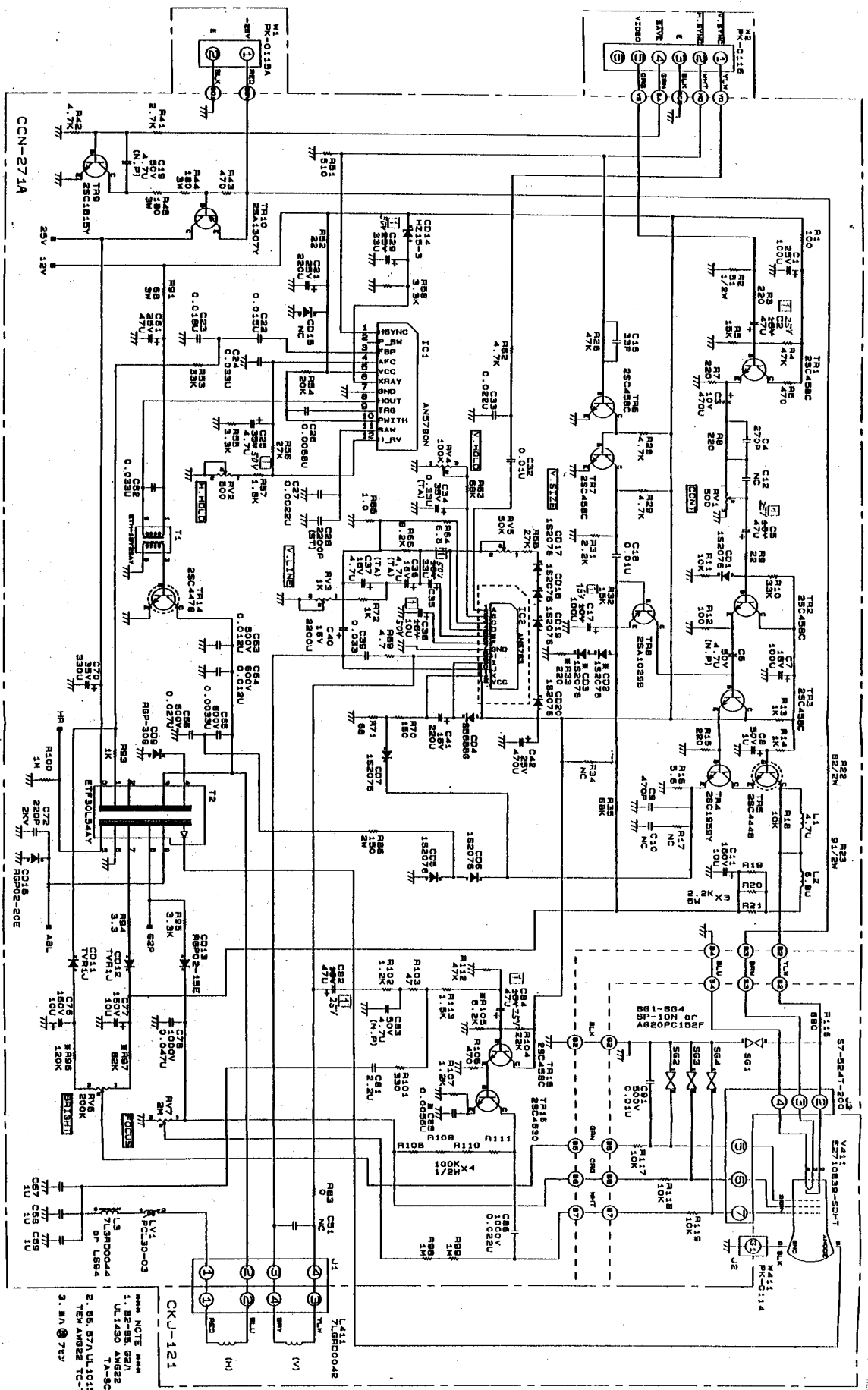




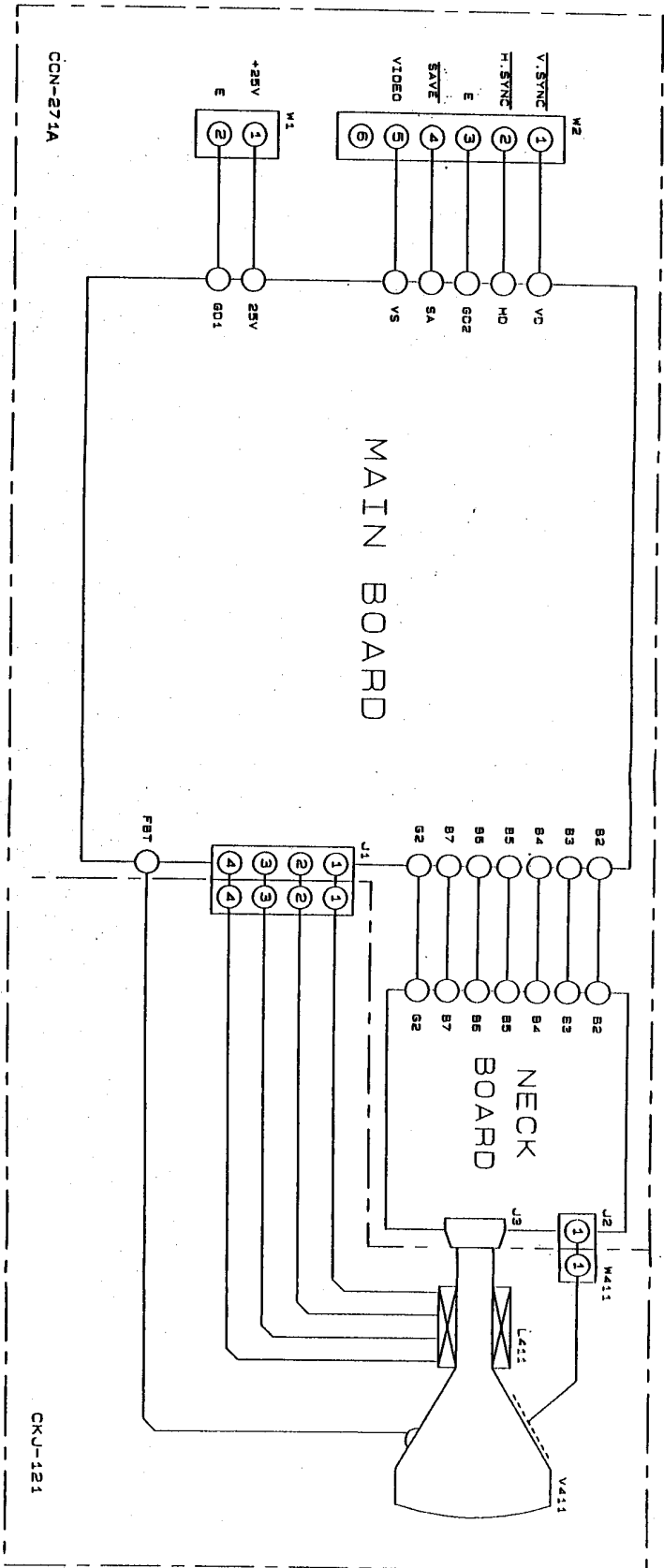
CIRCUIT DIAGRAM OF CCK-709 CONTROL PANEL (A)



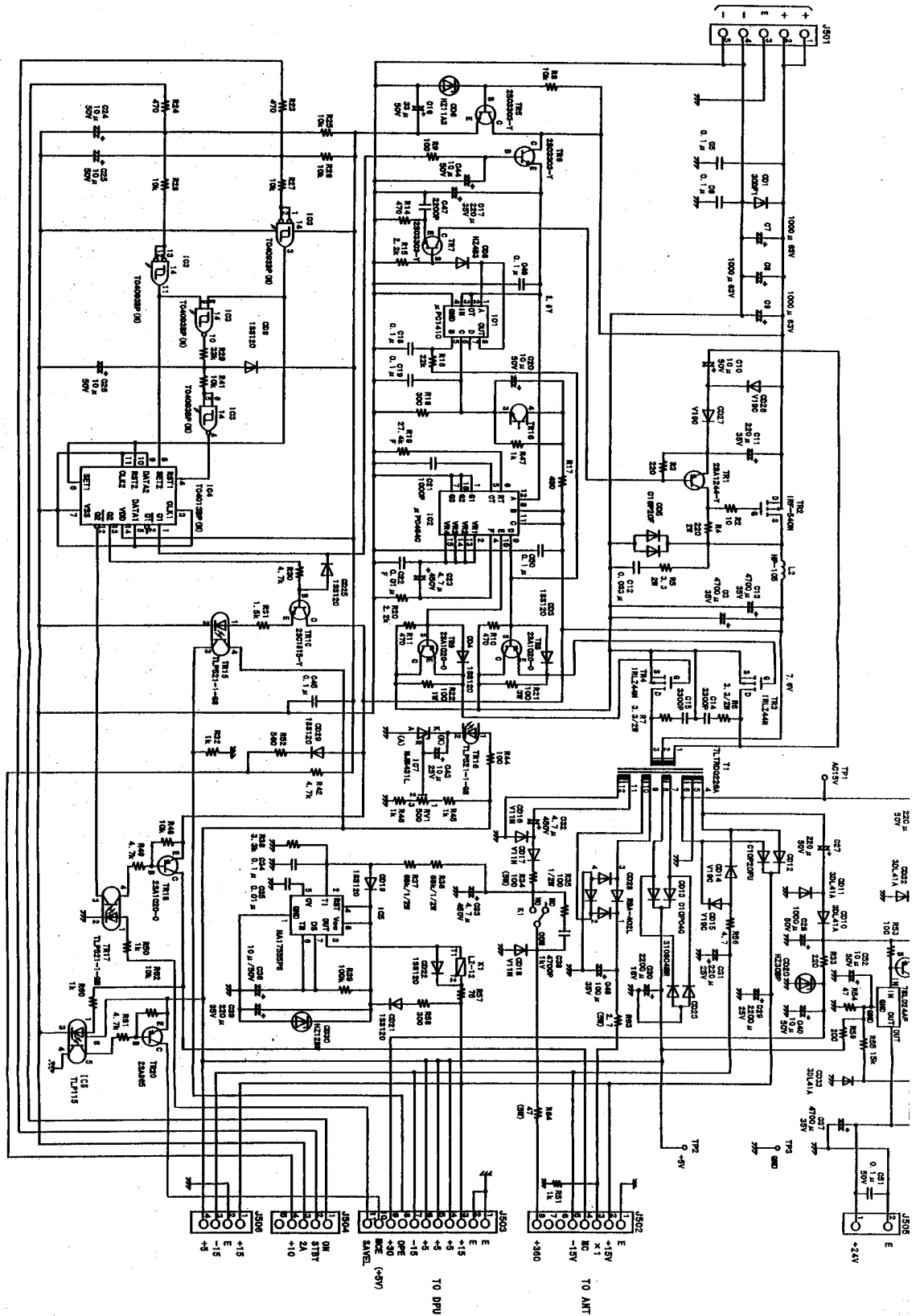
CIRCUIT DIAGRAM OF CCK-708 CONTROL PANEL (B)



CIRCUIT DIAGRAM OF CCN-271/CKJ-121 CRT DISPLAY UNIT (2/2)

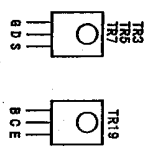


10
SHIP'S MAINS
DC10.8~10CA2V



- 注1. 指定なきC,Rの定格は、50V、1/4W。
 2. 指定なきダイオードは、1SS120。
 3. C05,C012~13,C023,TR2~4,TR19は、
 放熱器に取付。

PC501 (C8D-1426)
 H-7PCRD1473A



CIRCUIT DIAGRAM OF C8D-1426 POWER SUPPLY UNIT

