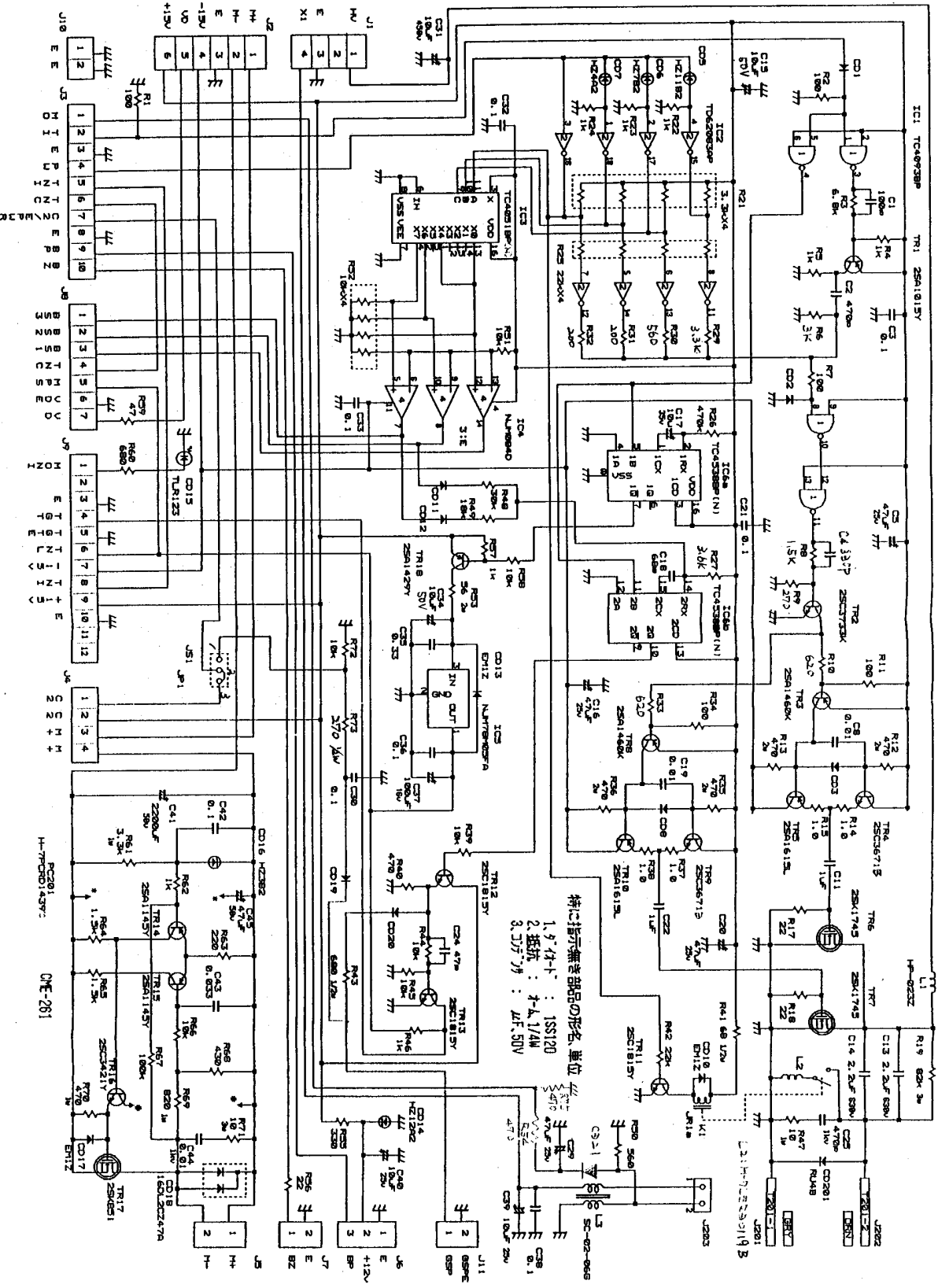


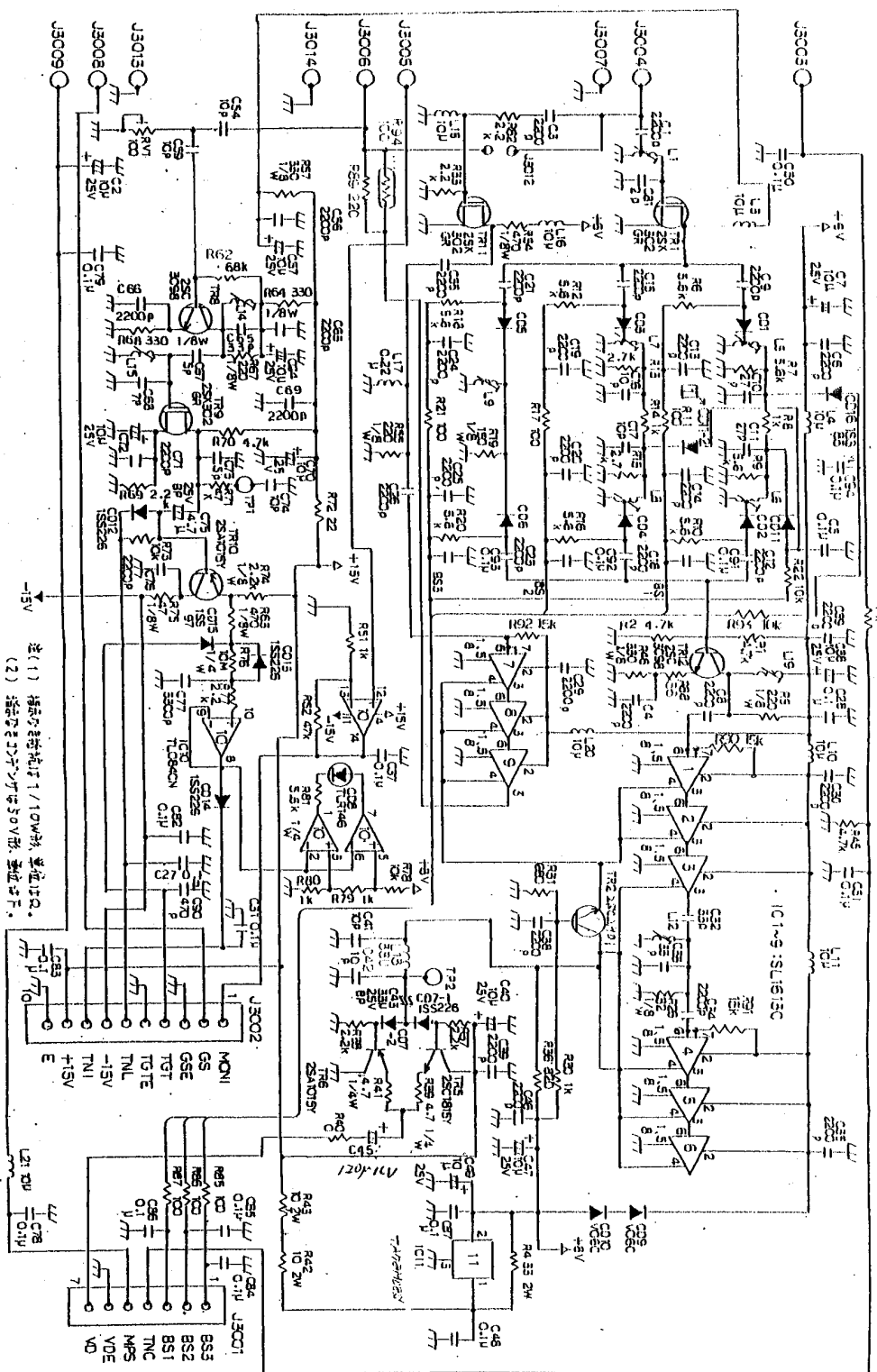
- MOD. M4
- EARTH
- MAG. HEATER
- SCANNER MOTOR (+)
- SCANNER MOTOR (-)
- EARTH
- 12V
- VIDEED OUT
- +12V
- MOD. MONI
- TRIB.
- EARTH
- P.U.S
- TUNING IND.
- TUNE
- MOTOR CONT/ SPUR
- EARTH
- BEARING PULSE
- BEARING PRESET
- EARTH
- EARTH

空中線形名	送受信部形名	受信部形名	送信部形名
NKE-1055(10Kw)	NZT-110(10Kw)	NMR-469	NRG-210
NKE-1082(8Kw)	NZT-108(8Kw)	NMR-473	NRG-210

INTERNAL CONNECTION DIAGRAM
FOR SCANNER UNIT

CIRCUIT DRAWING OF NHA-469/473
MODULATOR UNIT

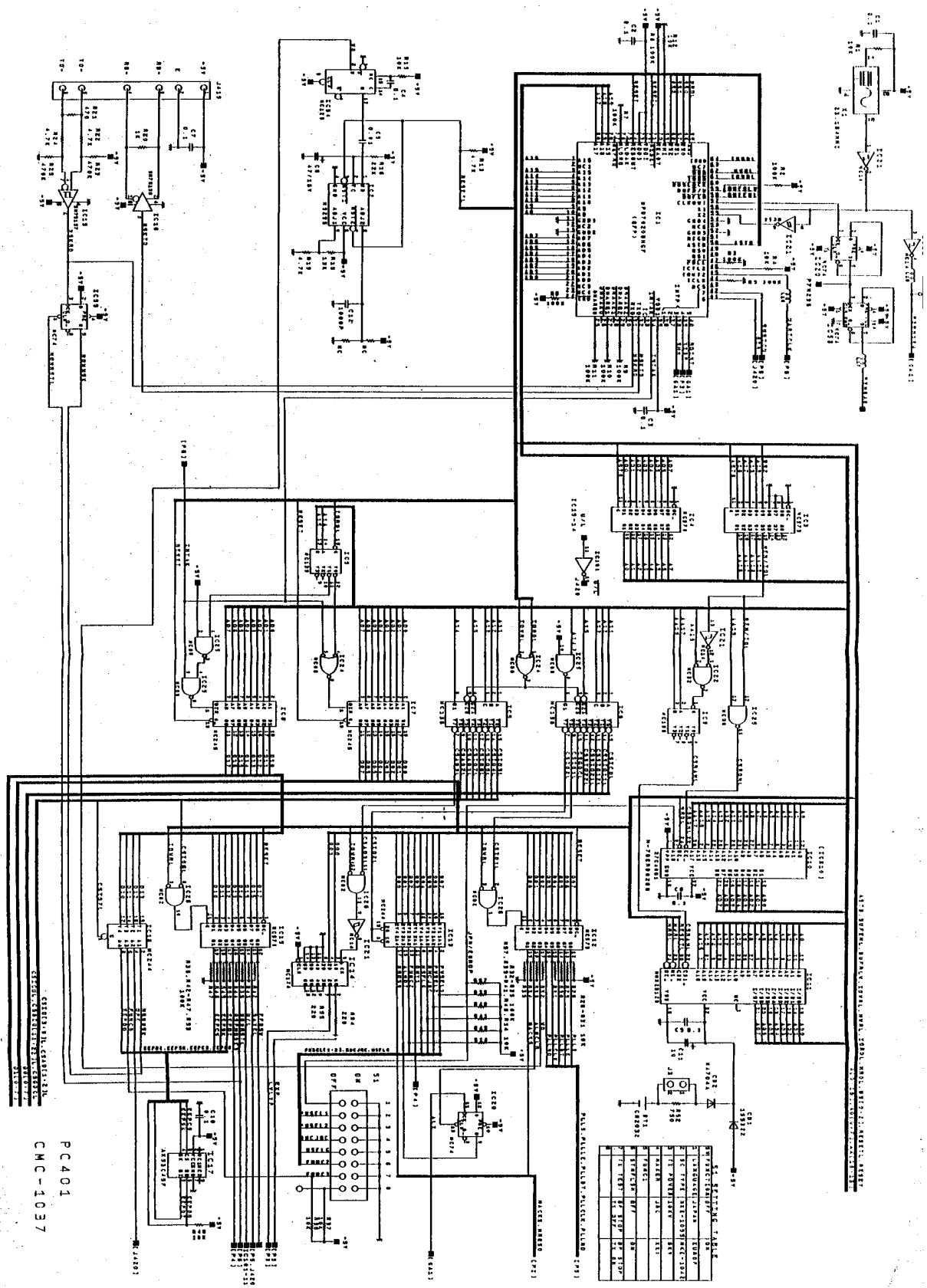




(1) 特定の電圧は1/10Wの電圧降下。
 (2) 線容量はコイル容量50V形、巻線5V。

7P0R01343B CAE-344-2 PC301

CIRCUIT DRAWING OF NR9-210
 RECEIVER UNIT

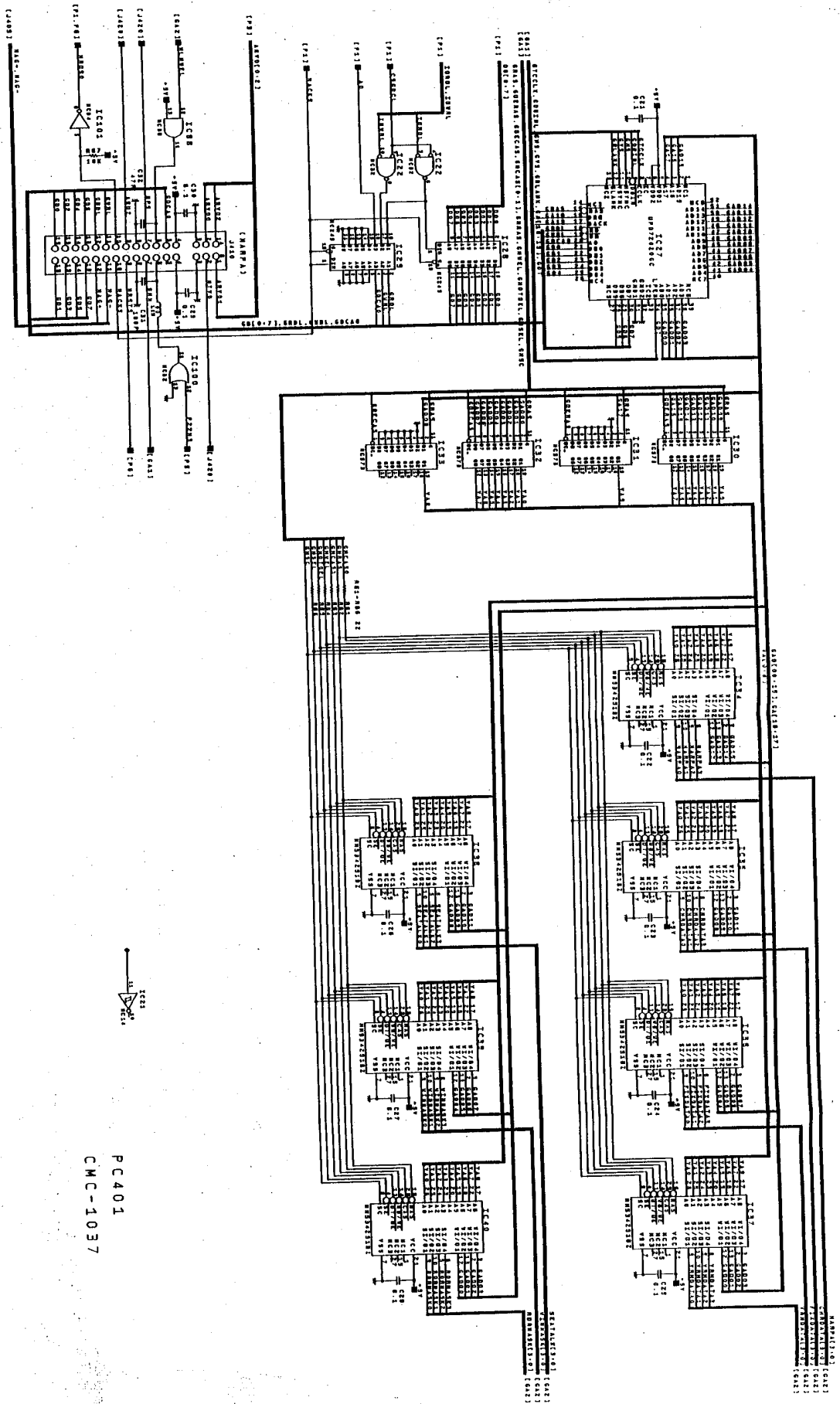


LEGEND TABLE

SYMBOL	DESCRIPTION
(Symbol)	RESISTOR
(Symbol)	CAPACITOR
(Symbol)	TRANSISTOR
(Symbol)	DIODE
(Symbol)	RELAY
(Symbol)	SOLENOID
(Symbol)	INDUCTOR
(Symbol)	WIRE
(Symbol)	GROUND
(Symbol)	POWER SUPPLY
(Symbol)	TEST POINT
(Symbol)	MECHANICAL PART
(Symbol)	UNIDENTIFIED

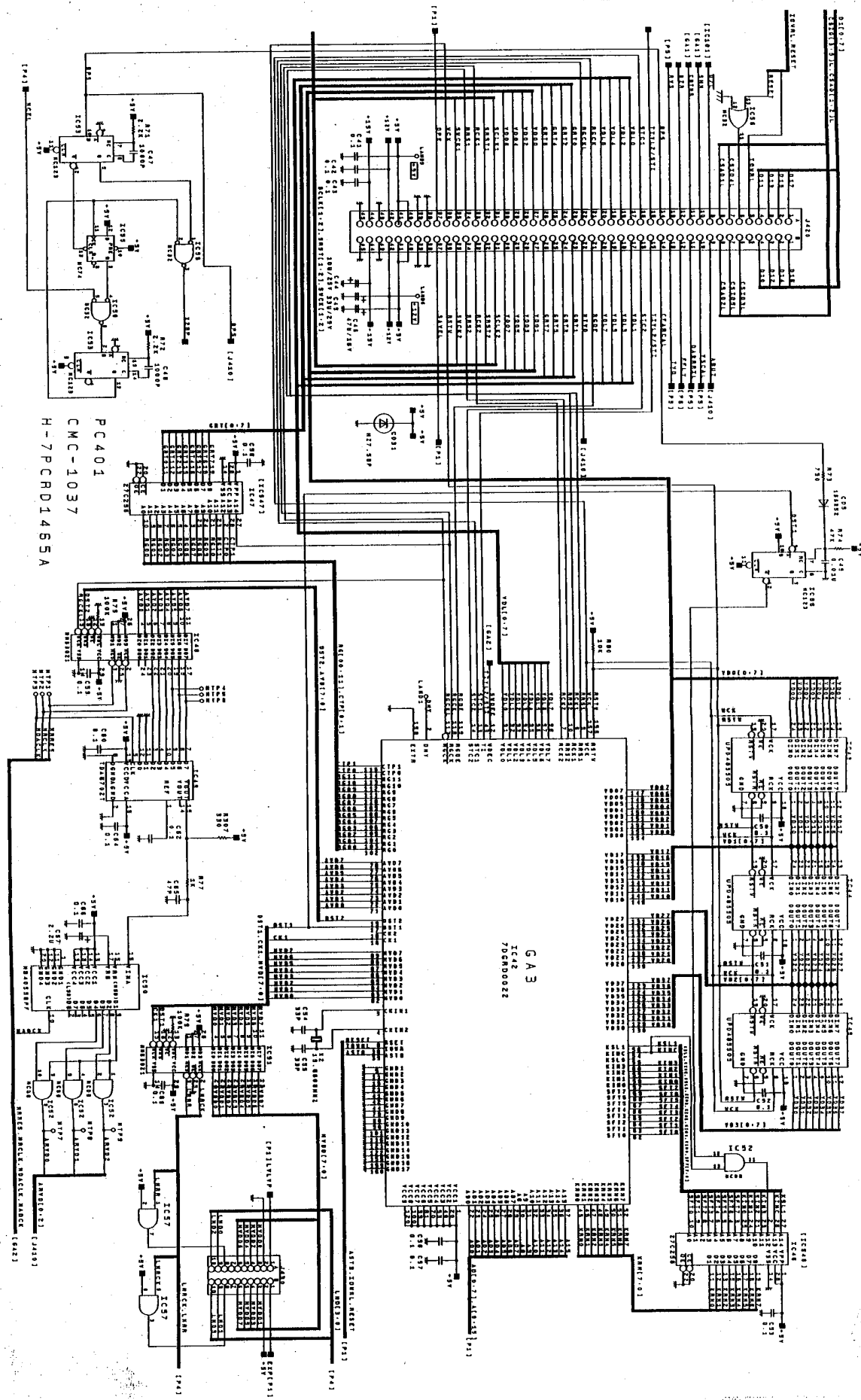
CIRCUIT DIAGRAM OF CMC-1037 MAIN CONTROL UNIT (1/6)

PCA01
CMC-1037



CIRCUIT DIAGRAM OF CMC-1037 MAIN CONTROL UNIT (2/6)

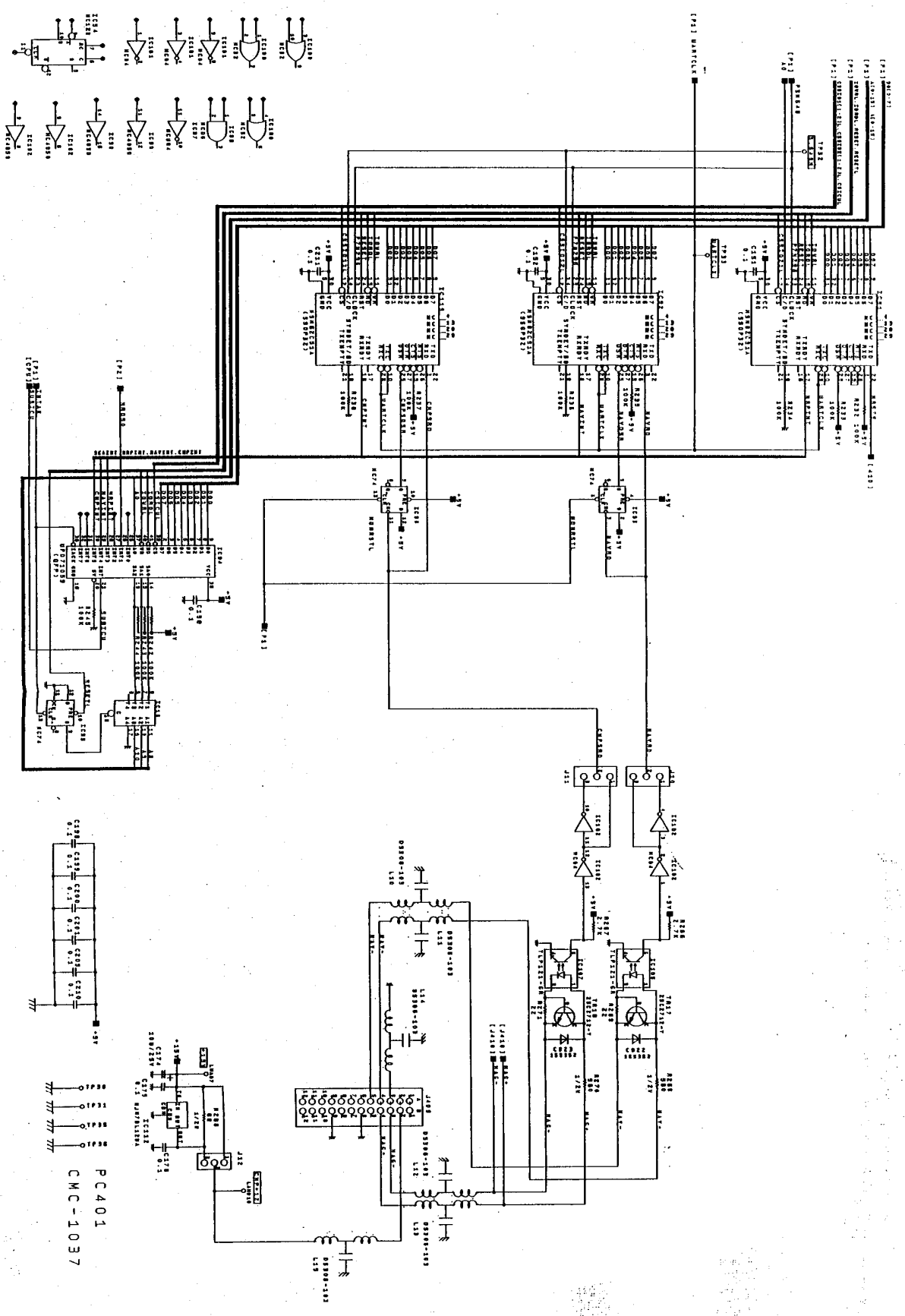
PC401
CMC-1037



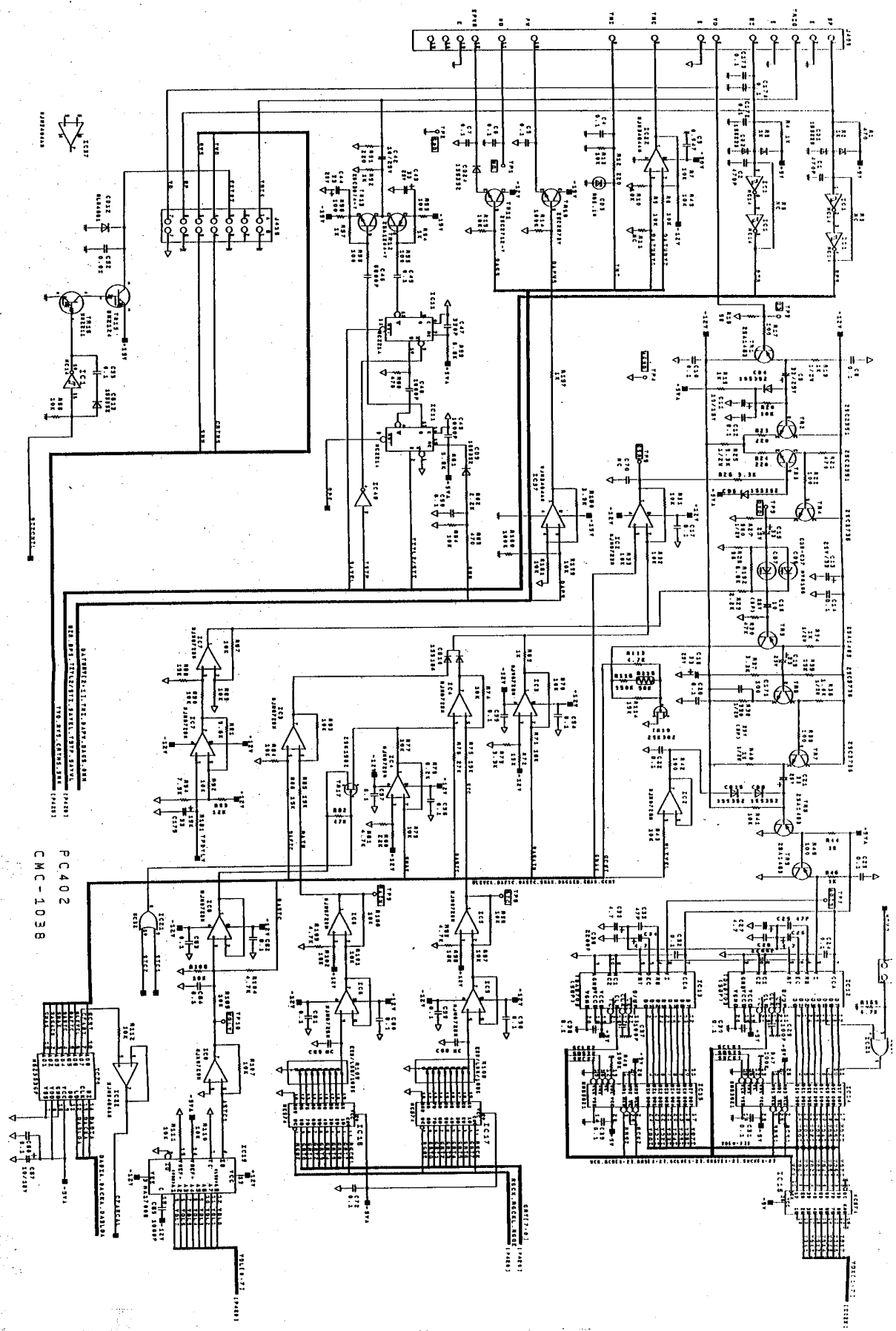
PCA01
CMC-1037
H-7PCRD1465A

GA3
70C80022

CIRCUIT DIAGRAM OF CMC-1037 MAIN CONTROL UNIT (3/6)

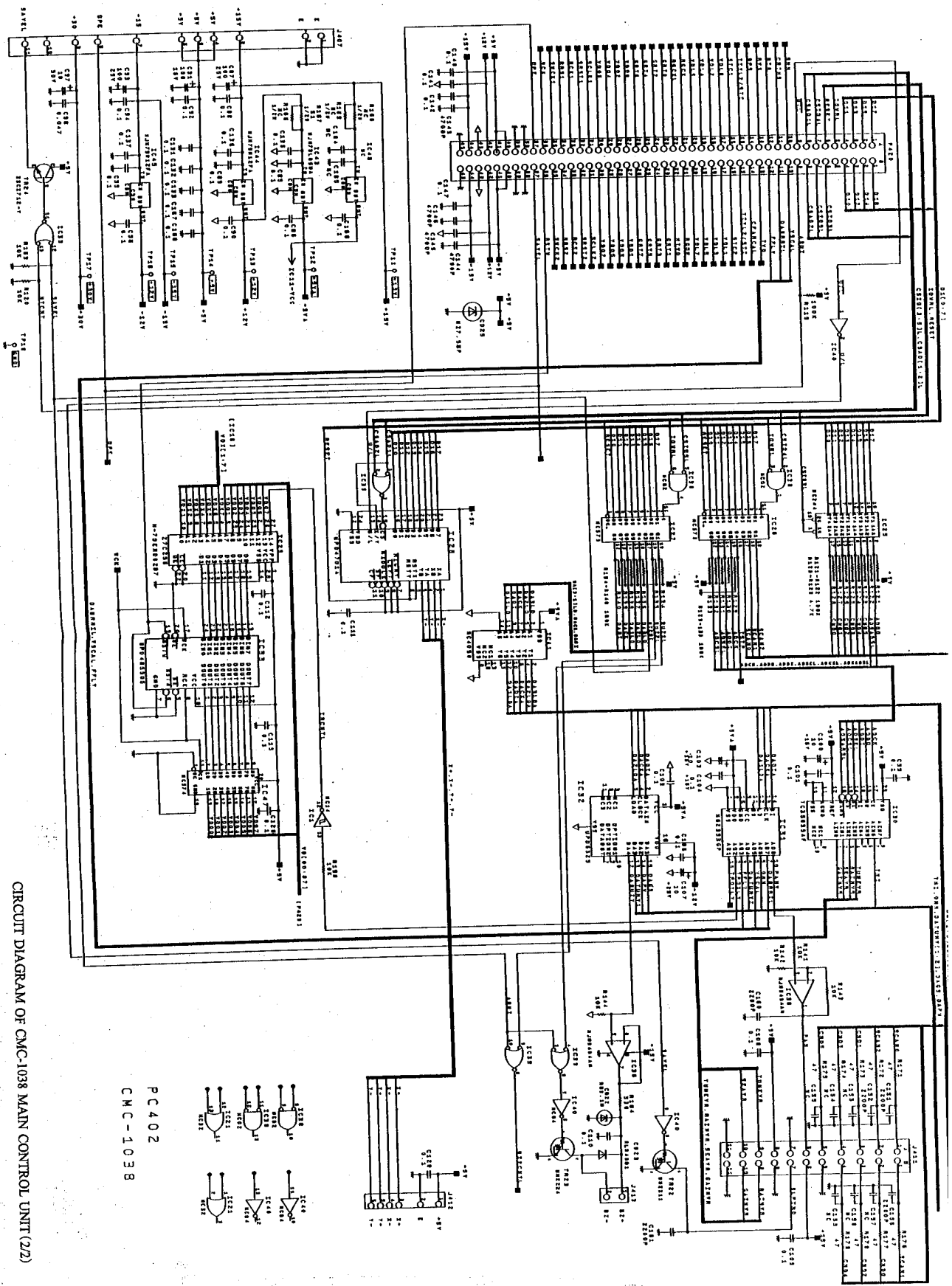


CIRCUIT DIAGRAM OF CMC-1037 MAIN CONTROL UNIT (6/6)



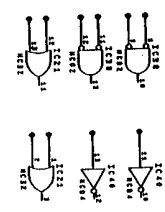
PC402
CMC-1038

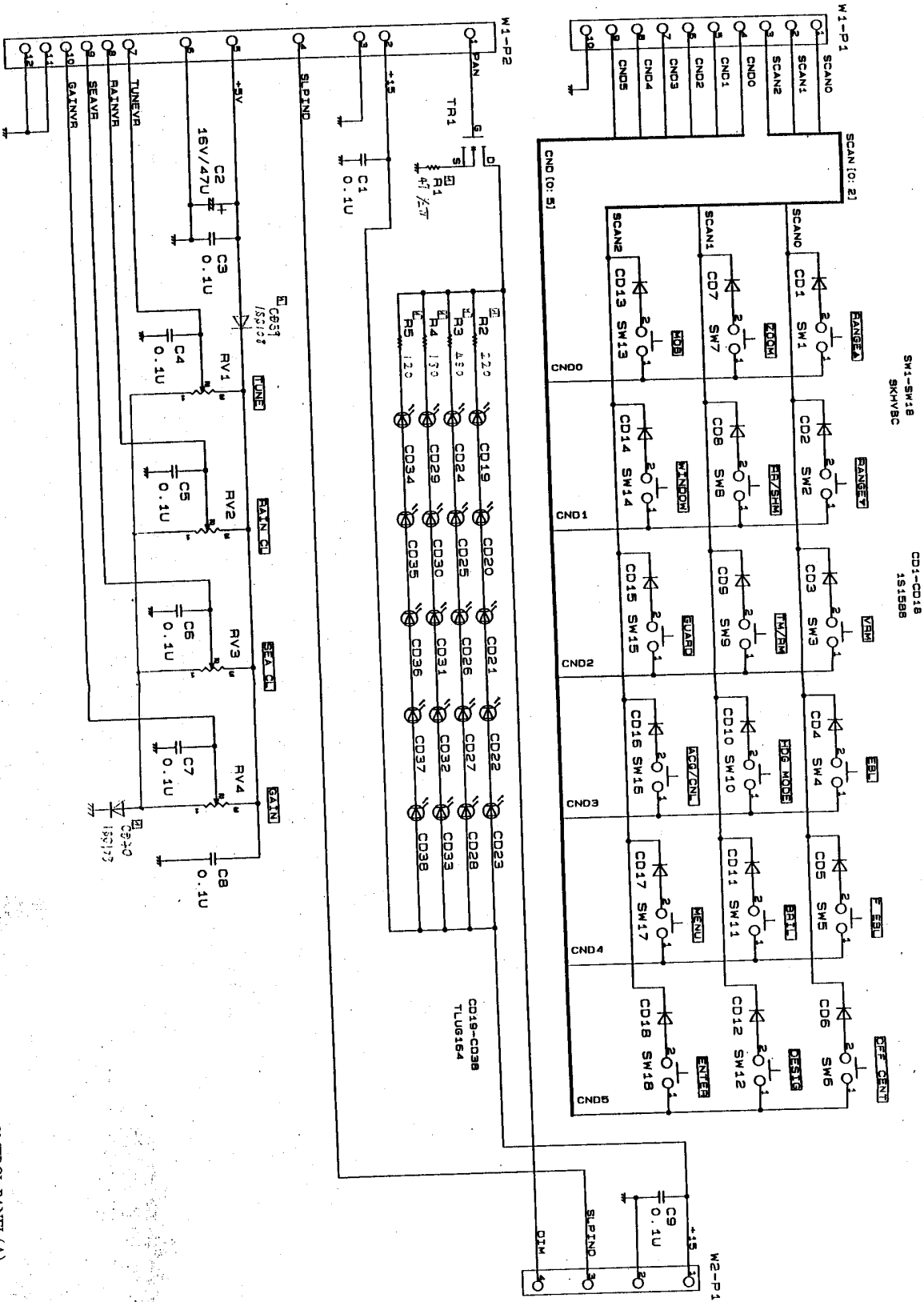
CIRCUIT DIAGRAM OF CMC-1038 MAIN CONTROL UNIT (1/2)



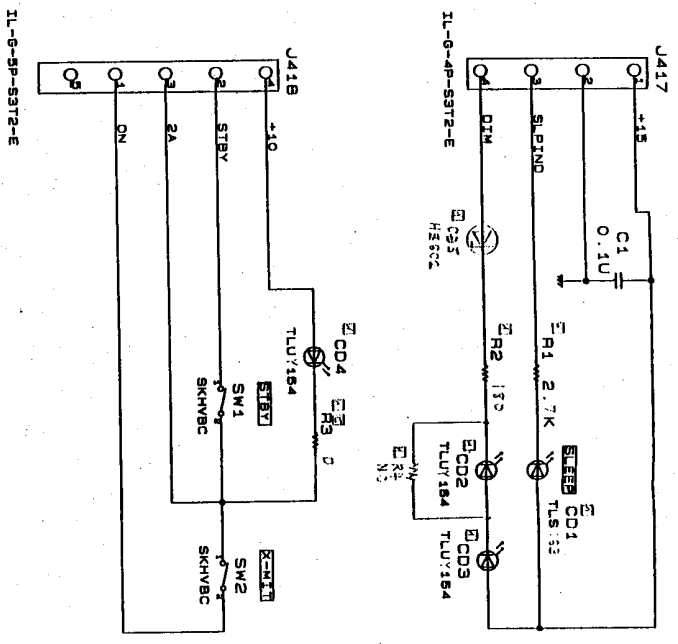
CIRCUIT DIAGRAM OF CMC-1038 MAIN CONTROL UNIT (22)

PC402
CMC-1038

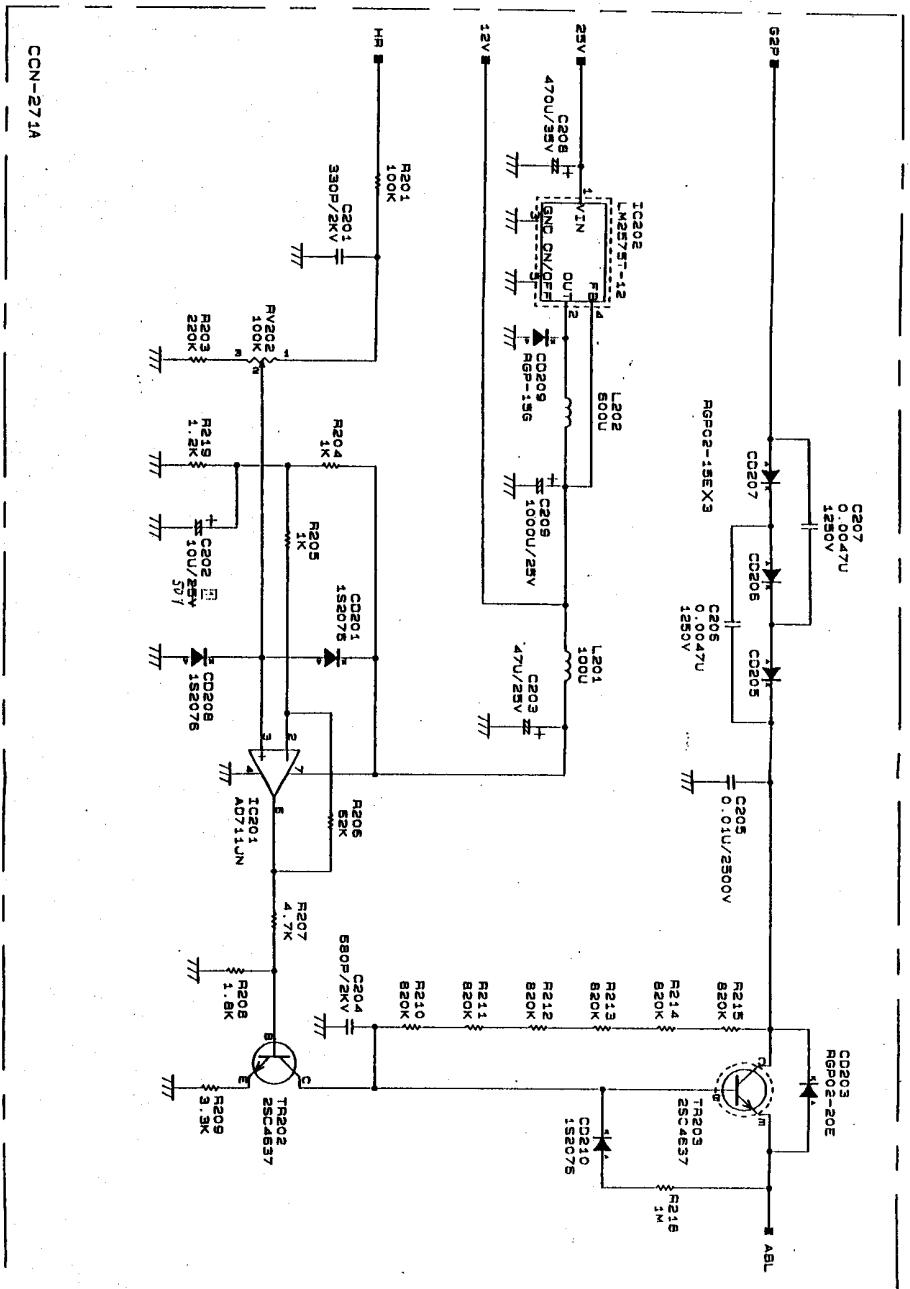




CIRCUIT DIAGRAM OF CCK-709 CONTROL PANEL (A)

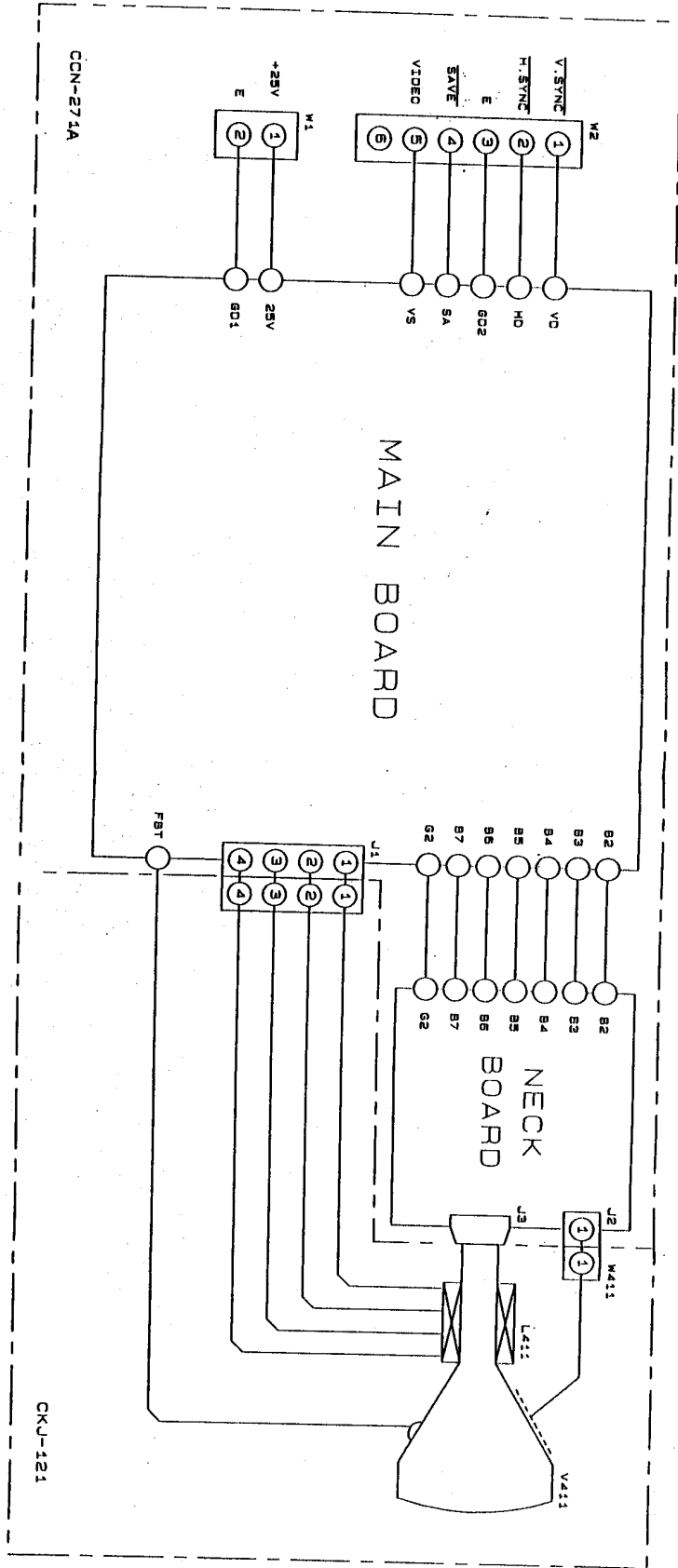


CIRCUIT DIAGRAM OF CCK-708 CONTROL PANEL (B)



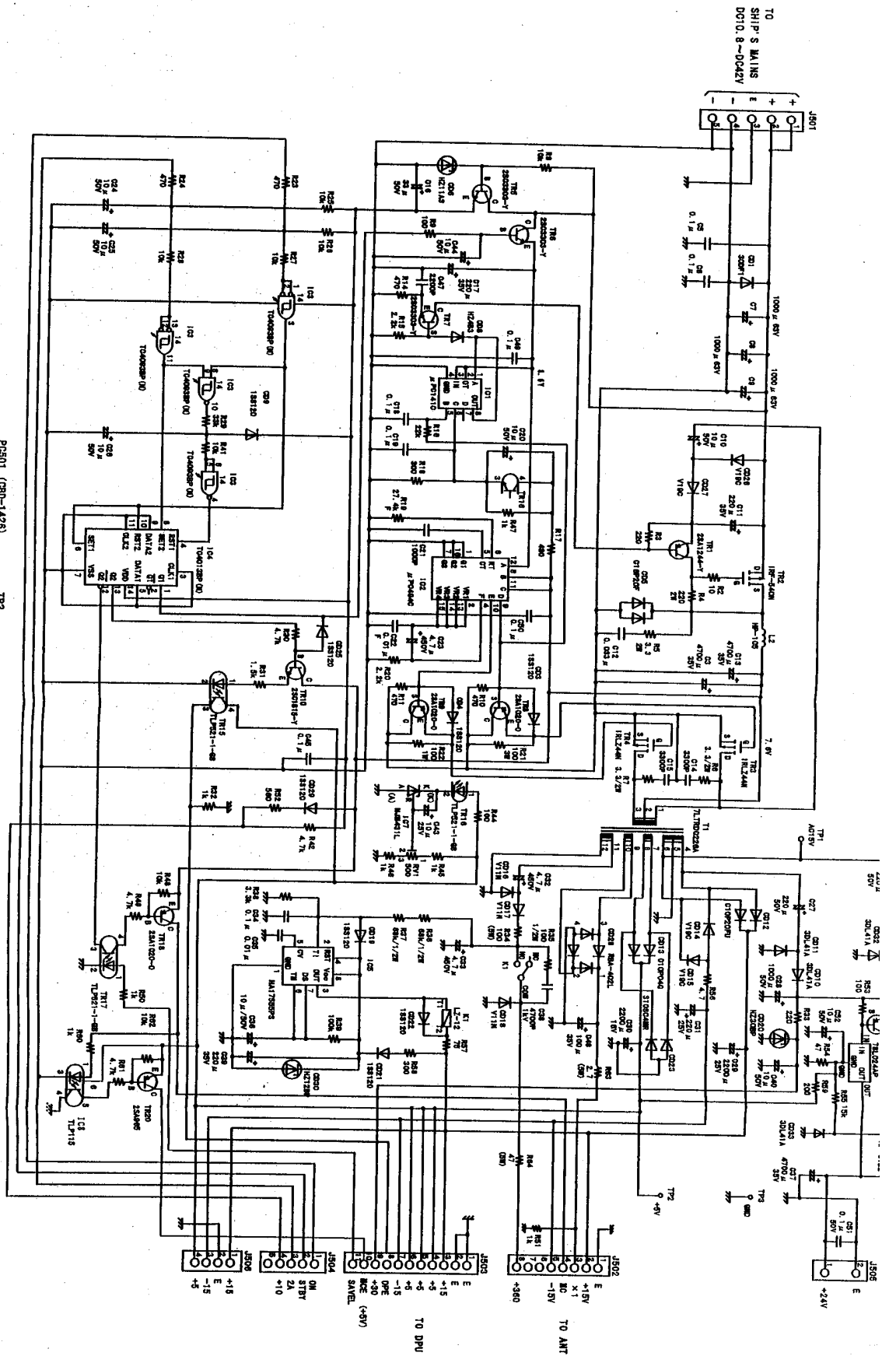
CCN-271A

CIRCUIT DIAGRAM OF CCN-271/CK1-121 CRT DISPLAY UNIT (1/2)



CON-271A

CKJ-121



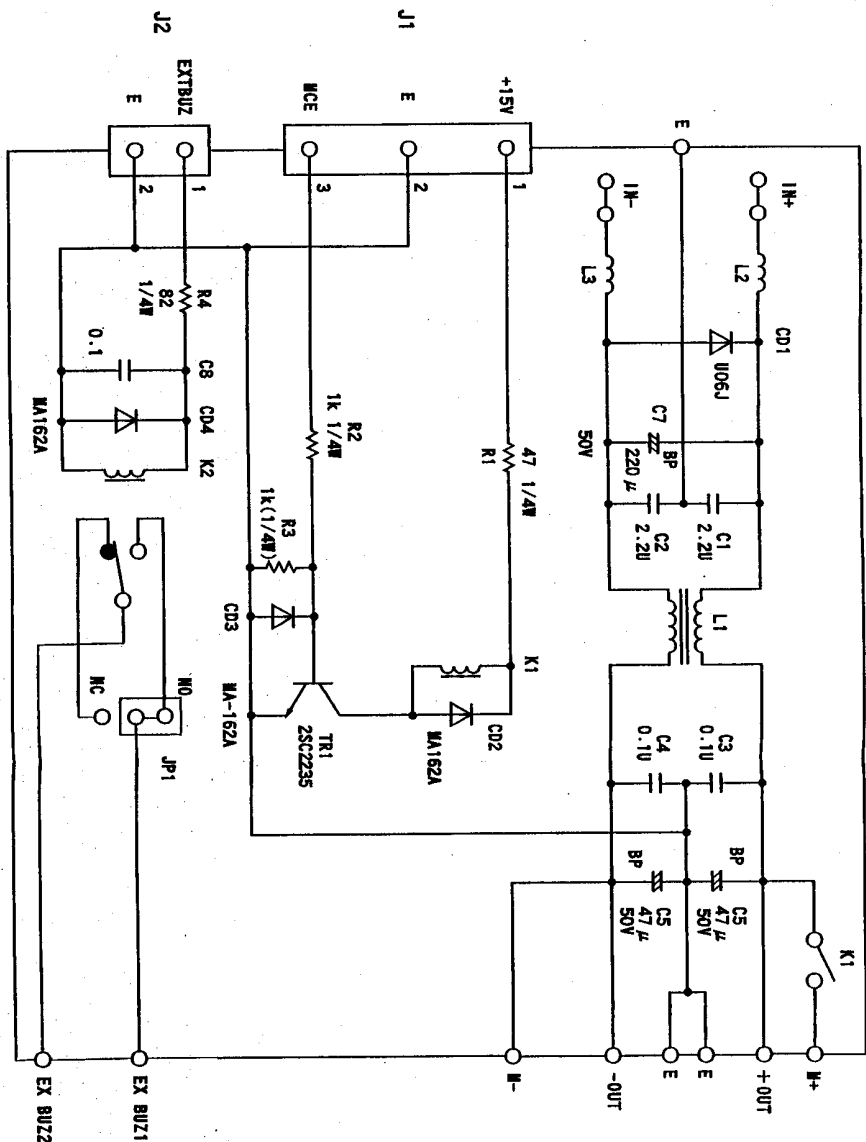
- 注1. 指定なきC,Rの定格は、50V, 1/4W。
 2. 指定なきタイオードは、1SS120。
 3. CD5, CD12~13, CD23, TR2~4, TR19は、
 放熱器に取付。

PC501 (CBD-1426)
 H-7PCRD1473A

TR2
TR3
TR7
BDS

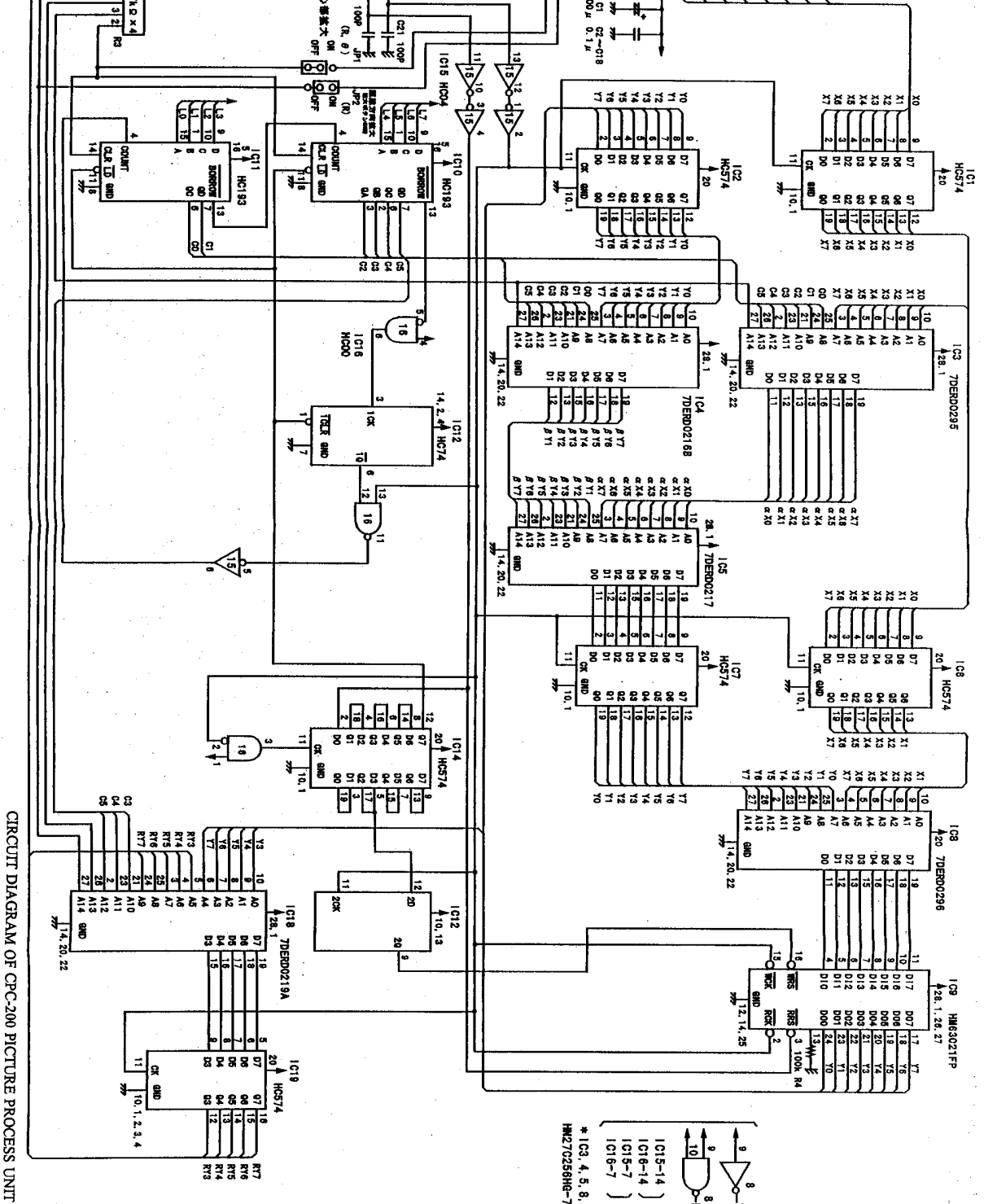
TR19
BCE

CIRCUIT DIAGRAM OF CBD-1426 POWER SUPPLY UNIT

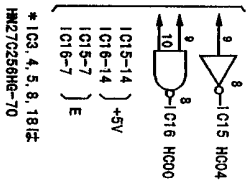


H-7PCRD14638 CFR-166 (PC502)

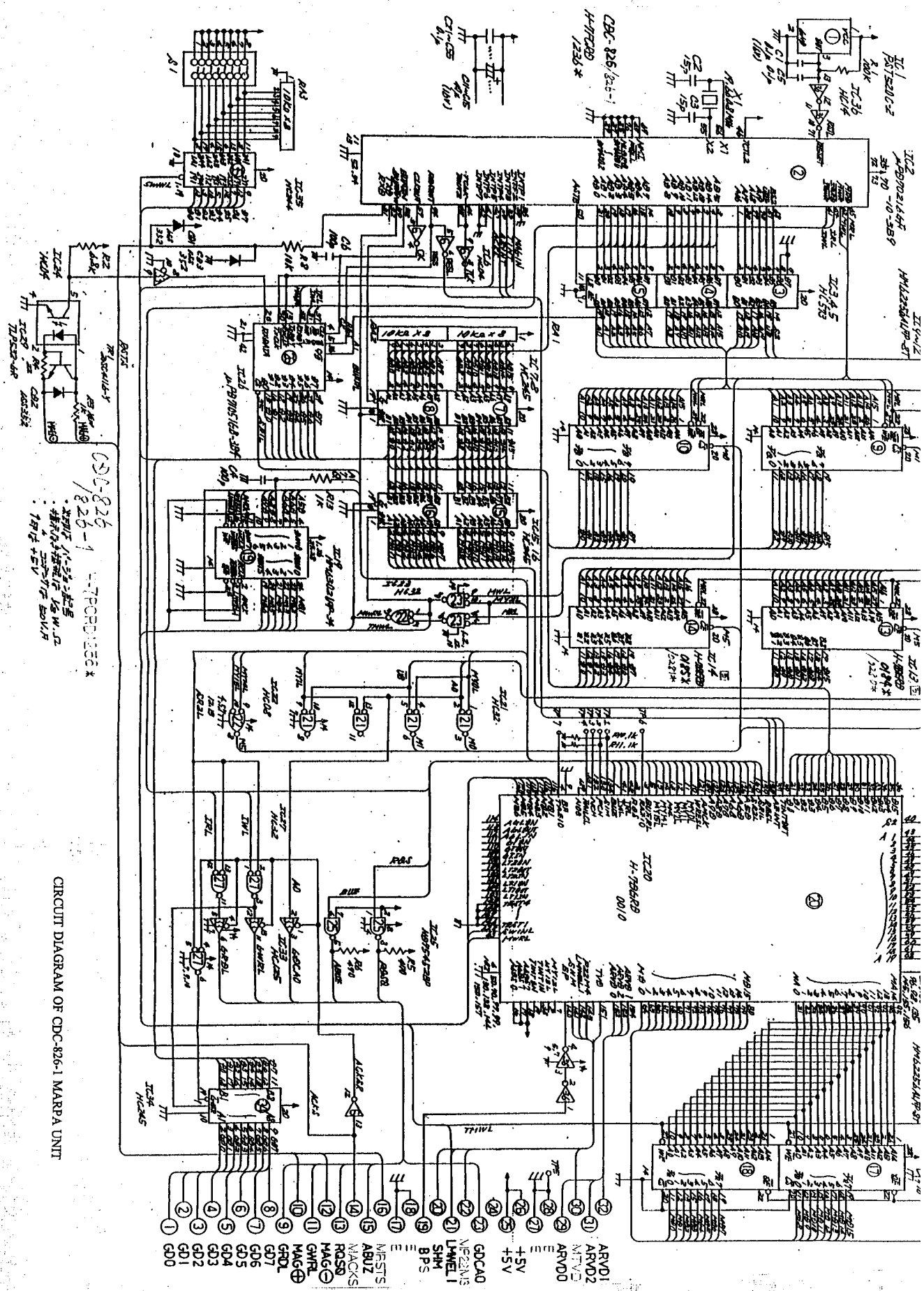
CIRCUIT DIAGRAM OF CFR-166 LINE FILTER UNIT



CIRCUIT DIAGRAM OF CPC-200 PICTURE PROCESS UNIT



*IC3, 4, 5, 8, 18は
NM270250HG-70



CIRCUIT DIAGRAM OF CDC-826-1 MARPA UNIT

CDC-826-1
 826-1
 TPCORD:336*

REVISIONS
 1-5-67
 2-1-67
 3-1-67
 4-1-67
 5-1-67
 6-1-67
 7-1-67
 8-1-67
 9-1-67
 10-1-67
 11-1-67
 12-1-67
 13-1-67
 14-1-67
 15-1-67
 16-1-67
 17-1-67
 18-1-67
 19-1-67
 20-1-67
 21-1-67
 22-1-67
 23-1-67
 24-1-67
 25-1-67
 26-1-67
 27-1-67
 28-1-67
 29-1-67
 30-1-67

- 1
- 2
- 3
- 4
- 5
- 6
- 7
- 8
- 9
- 10
- 11
- 12
- 13
- 14
- 15
- 16
- 17
- 18
- 19
- 20
- 21
- 22
- 23
- 24
- 25
- 26
- 27
- 28
- 29
- 30
- AVD01
- AVD02
- AVD03
- AVD00
- +5V
- GDCA0
- NEZ2NS
- LHWEL1
- SHM
- 8PS
- NRSTS
- ARUZ
- WACKS
- ROSS
- MAGC
- GNRL
- MAGC
- GRD1
- GRD2
- GRD3
- GRD4
- GRD5
- GRD6
- GRD7
- GRD8
- GRD9
- GRD10
- GRD11
- GRD12
- GRD13
- GRD14
- GRD15
- GRD16
- GRD17
- GRD18
- GRD19
- GRD20
- GRD21
- GRD22
- GRD23
- GRD24
- GRD25
- GRD26
- GRD27
- GRD28
- GRD29
- GRD30

