

Sub-part 2.983 (f):

EQUIPMENT IDENTIFICATION

FCC ID: CKEJMA3807

NAMEPLATE DRAWING

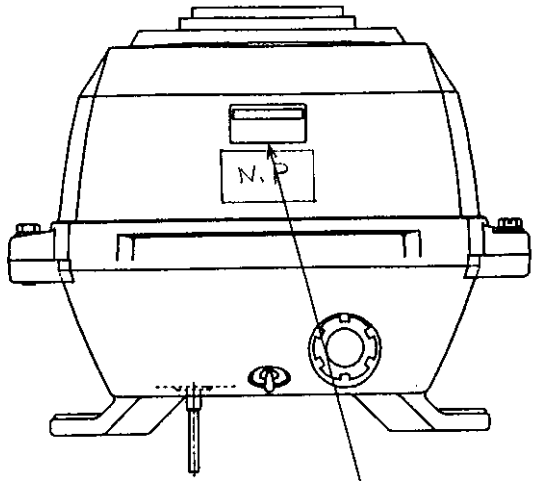
ATTACHED, EXHIBIT A.

LOCATION

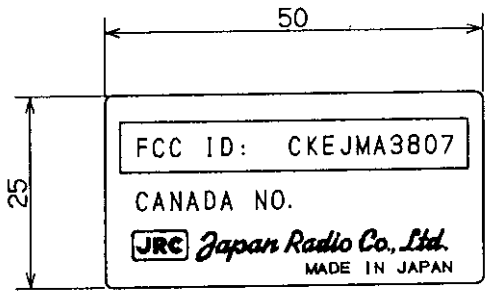
AS PER LABEL DRAWING(S)

DATE OF REPORT

March 20th 1998



NAME PLATE



Sub-part 2.983 (f):

EQUIPMENT IDENTIFICATION

FCC ID: CKEJMA3807

NAMEPLATE DRAWING

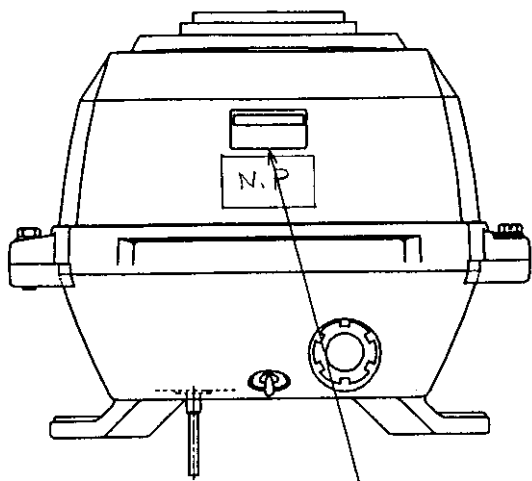
ATTACHED, EXHIBIT A.

LOCATION

AS PER LABEL DRAWING(S)

DATE OF REPORT

March 20th 1998



NAME PLATE

