

APPROVED	DATE	TITLE	SHEET NO.
<i>M. S. S. S.</i>	CMN-457	TRANSMITTER/RECEIVER PCB	1
CHECKED	SCALE		
<i>M. S. S. S.</i>	A3		
DESIGNED DRAWN			
DRAWING NO.			
DD10-CMN-457			

**JRC** Japan Radio Co., Ltd.

3rd Angle System Dimension mm

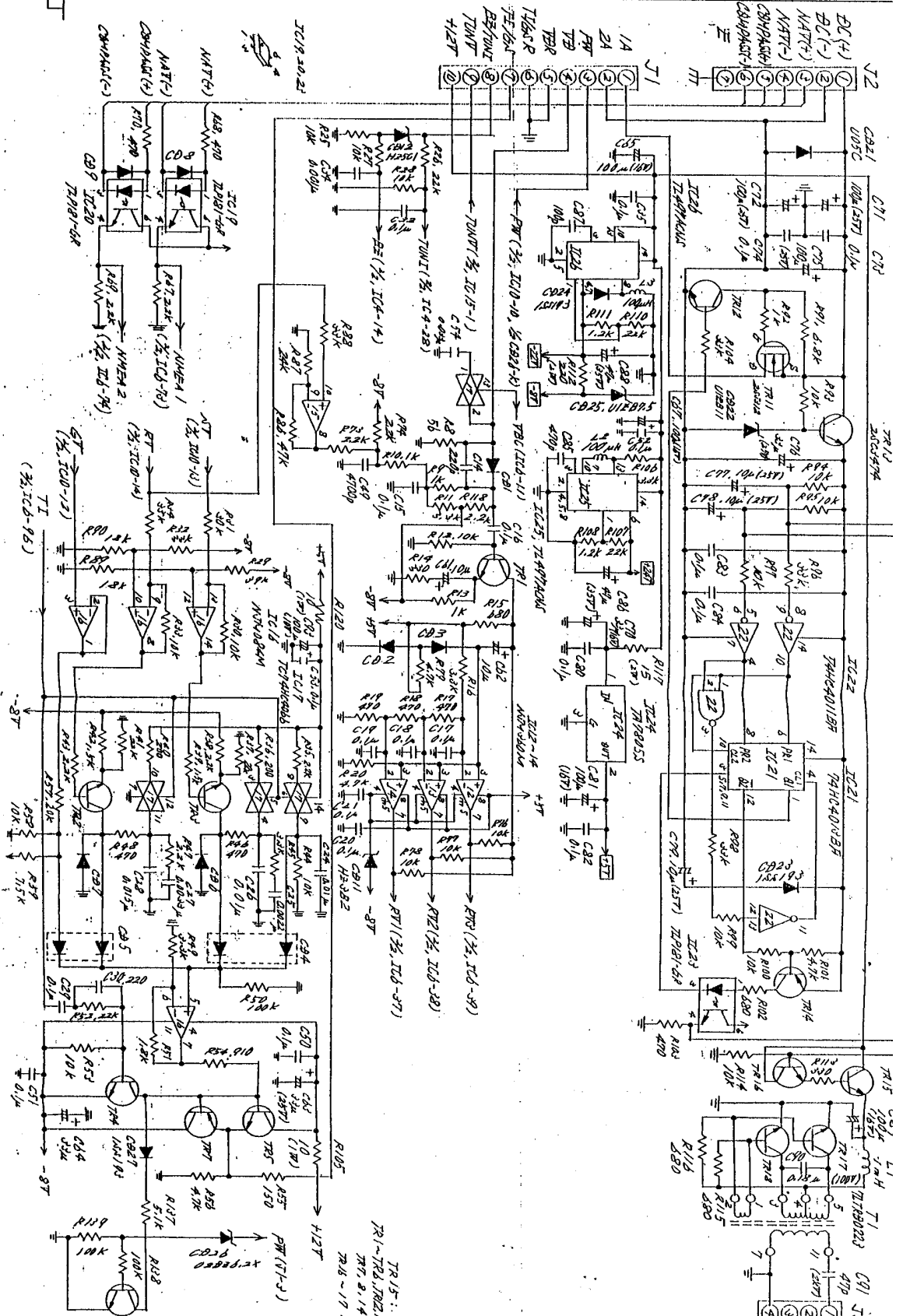
REVISIONS

ARRANGE NO.

A B C D E

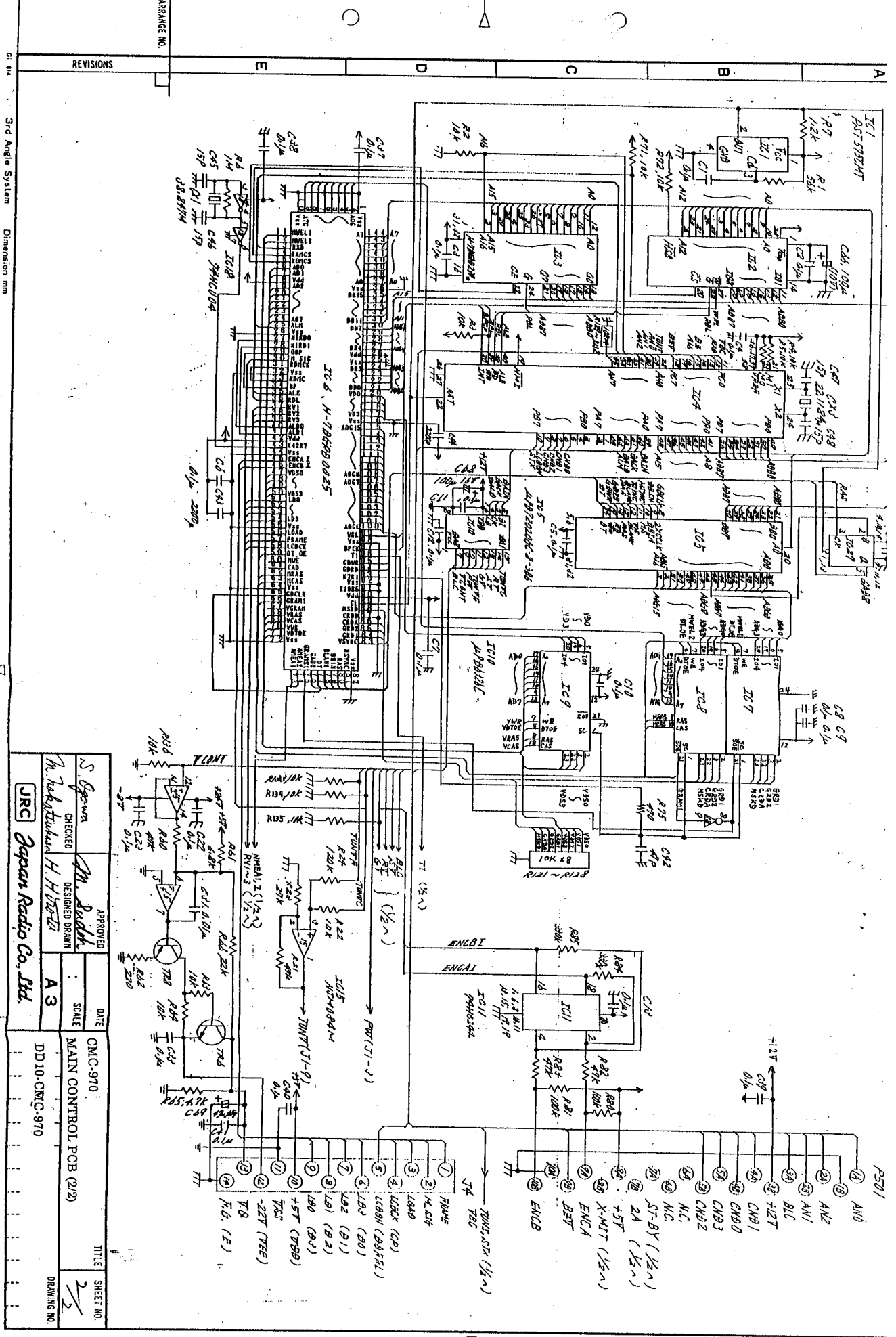
1 2 3 4 5

3rd Angle System Dimension mm



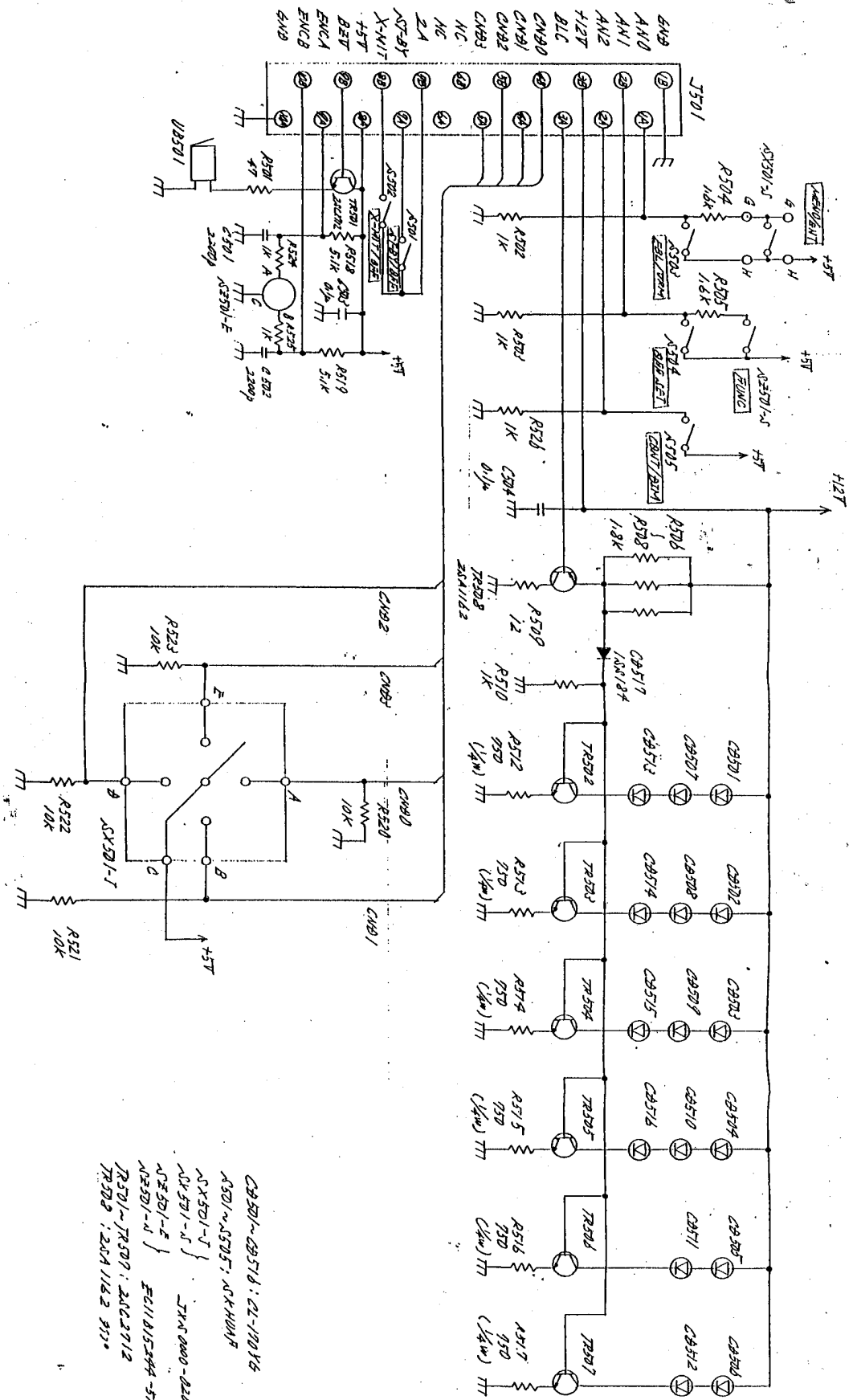
APPROVED	DATE	TITLE	SHEET NO.
<i>S. Goswami</i>		CMC-970	1
CHECKED	SCALE	MAIN CONTROL PCB (1/2)	
<i>H. Haldar</i>	A 3		
DESIGNED DRAWN			
<i>H. Haldar</i>			
JRC Paper Radio Co. Ltd.		DD10-CMC-970	DRAWING NO.

TR15: 2AC592B  
 TR1-TR4, TR12, TR13, TR14: 2AC2711-1  
 TR5-17: 2AC442B



ARRANGE NO.	REVISIONS
3rd Angle System	Dimension mm
DATE	TITLE
DATE	SHEET NO.
SCALE	MAIN CONTROL PCB (2/2)
CHECKED	DD10-CMC-970
DESIGNED DRAWN	
APPROVED	
	A 3
JRC Japan Radio Co., Ltd.	
DRAWING NO.	

3rd Angle System Dimension mm



C9501~C9517: 2L-170Y6  
 R501~R505: 5K H44H  
 S1: SX501-S1  
 R501~R507: 2002712  
 R508: 2041163 950

APPROVED	DATE	TITLE	SHEET NO.
<i>Mr. S. Ogawa</i>		CONTR. PANEL PCB	
CHECKED	SCALE		DRAWING NO.
<i>Mr. S. Ogawa</i>	A3		
DESIGNED DRAWN			
<i>Mr. T. Takahashi</i>			
<i>H. H. Ueda</i>			
JRC Japan Radio Co., Ltd.			
DD10-COK-773			

REV LTR

REVISIONS

A

B

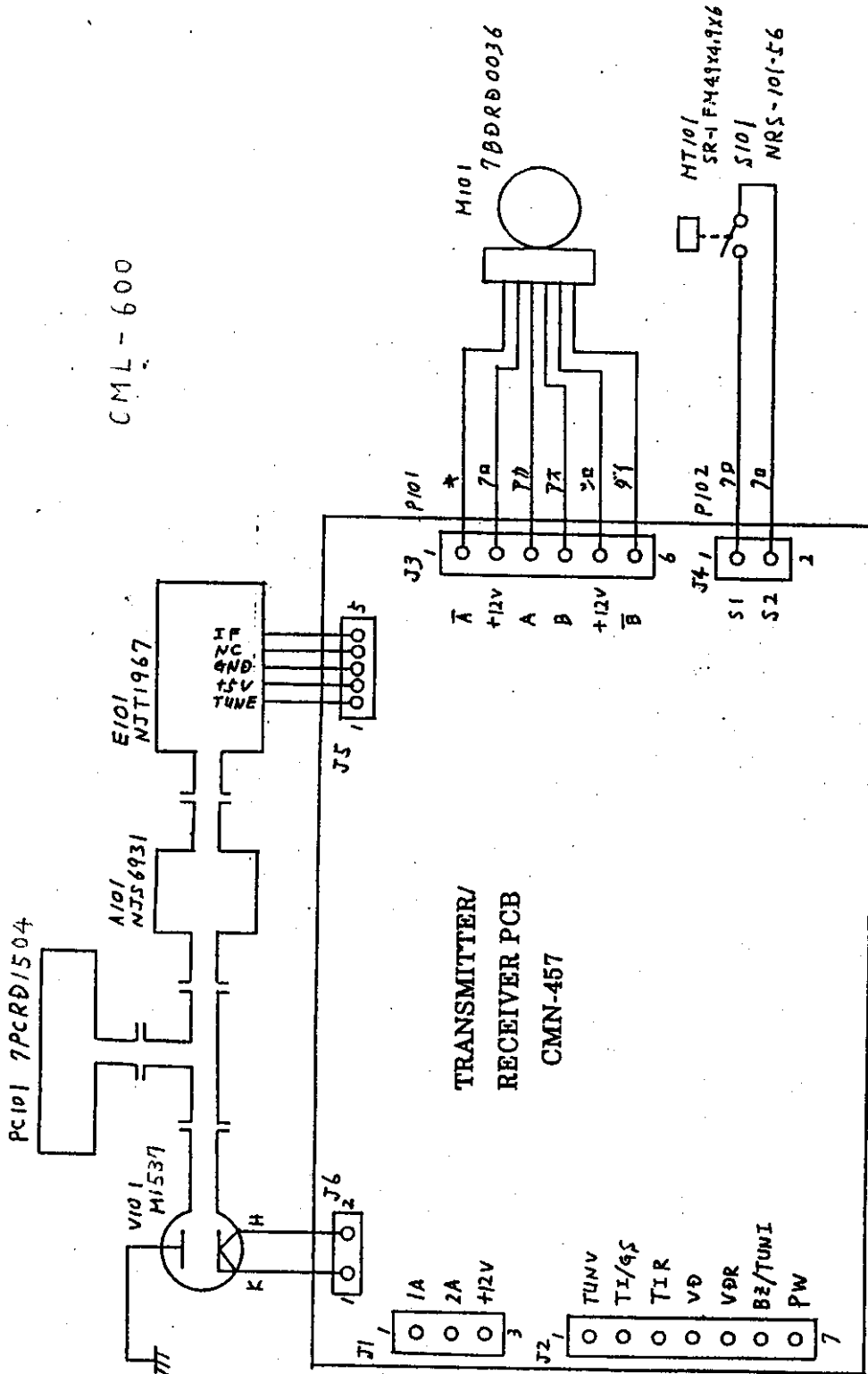
C

D

E

F

CML-600



TRANSMITTER/  
RECEIVER PCB  
CMN-457

*M. Yasutomi*  
CHECKED

*M. Sudoh*  
DESIGNED

APPROVED  
DATE  
SCALE

NKE-1063 SCANNER UNIT TITLE  
INTERNAL CONNECTION DIAGRAM

SHEET NO.  
1/1

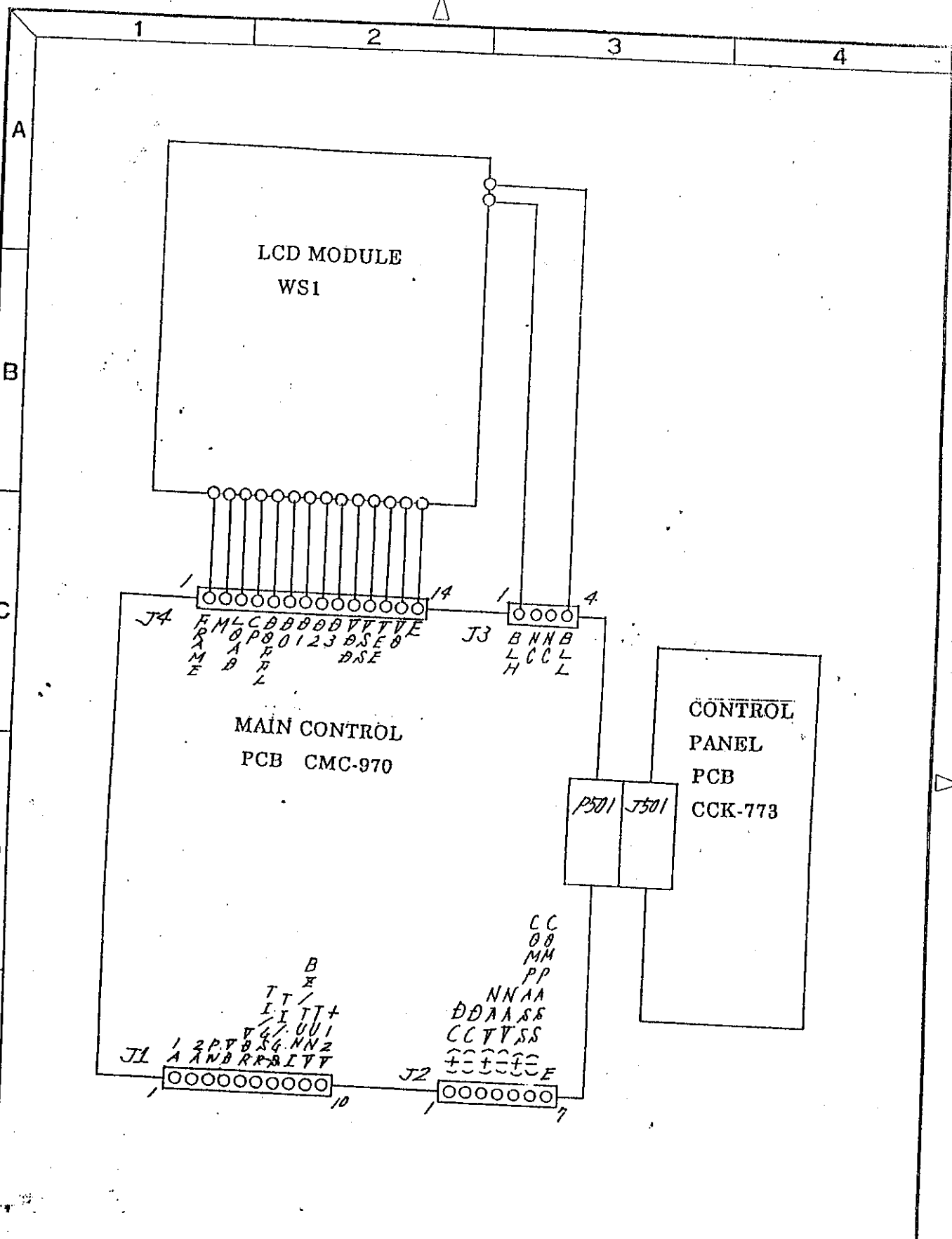
*H. Hirazawa*

*K. Morita*

A 4

DD10-NKE-1063

DRAWING NO.



RANGE NO. REVISIONS

S. Ogawa	APPROVED	DATE	NCD-3970 DISPLAY UNIT	TITLE	SHEET NO.
	M. Sudch	SCALE			
M. Nakatani	CHECKED	DESIGNED DRAWN	A 4		
	H. Hirota				DRAWING NO.

DD10-NCD-3970