

CIRCUIT DIAGRAMS

INDEX

1. NTE-180 AIS TRANSPONDER

1.1 NTE-180 CHASSIS

1.2 CAG-2180 LNA UNIT

1.3 CMN-2180 TRX UNIT

1.4 CDJ-2180 CONT UNIT

1.5 CMJ-2180 MODEM UNIT

2. NCM-722 AIS CONTROLLER

2.1 NCM-722 CHASSIS

2.2 CDJ-2047 CONTROL UNIT

2.3 CBD-1569 POWER SUPPLY UNIT

2.4 CQD-1809 PC I/F UNIT

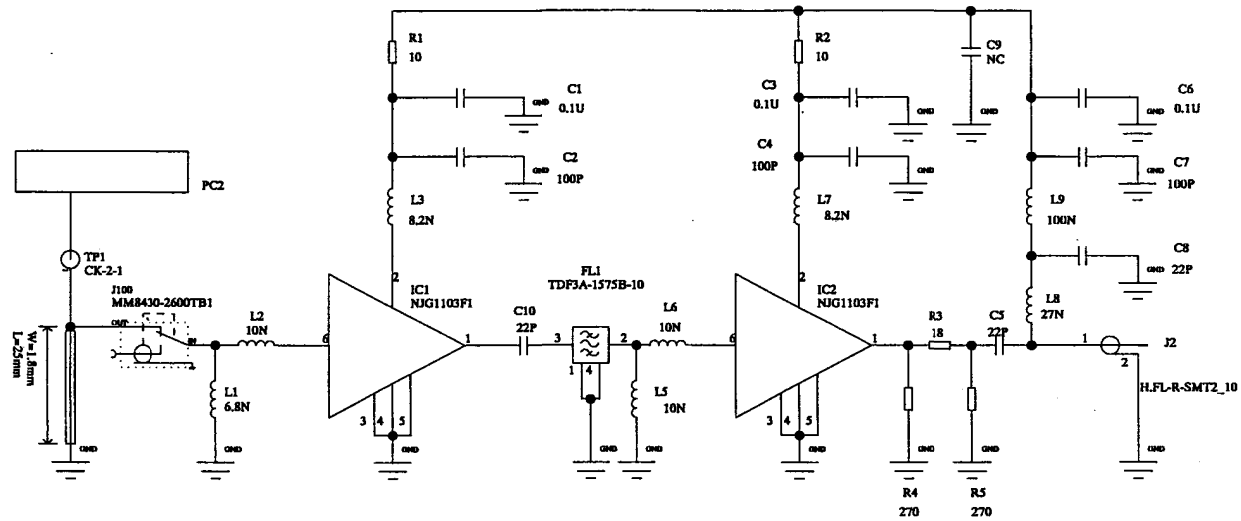
2.5 CDE-989 LCD UNIT

3. NQE-3111 CONNECTION BOX

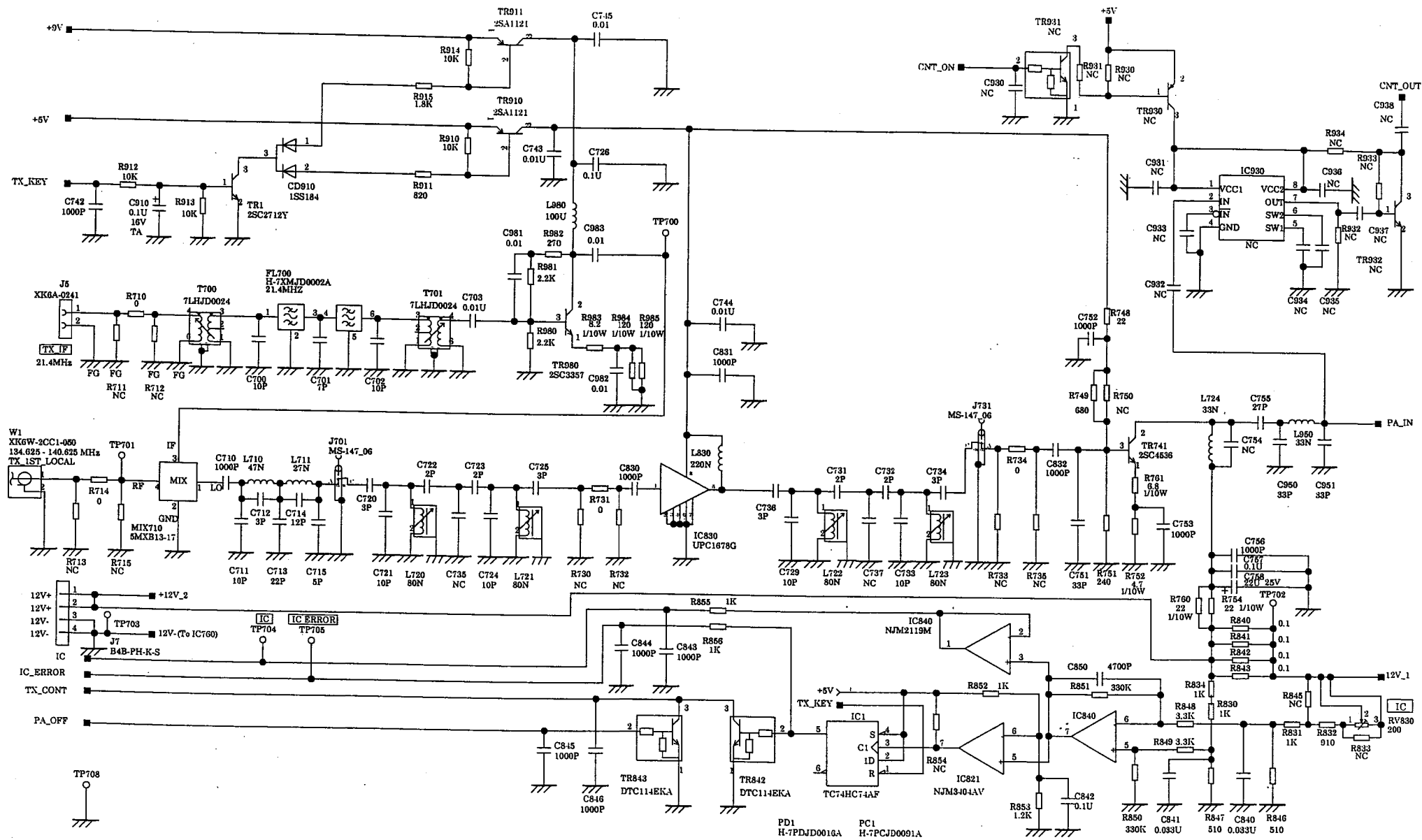
3.1 NQE-3111 CHASSIS

3.2 CQD-1820 TERMINAL UNIT

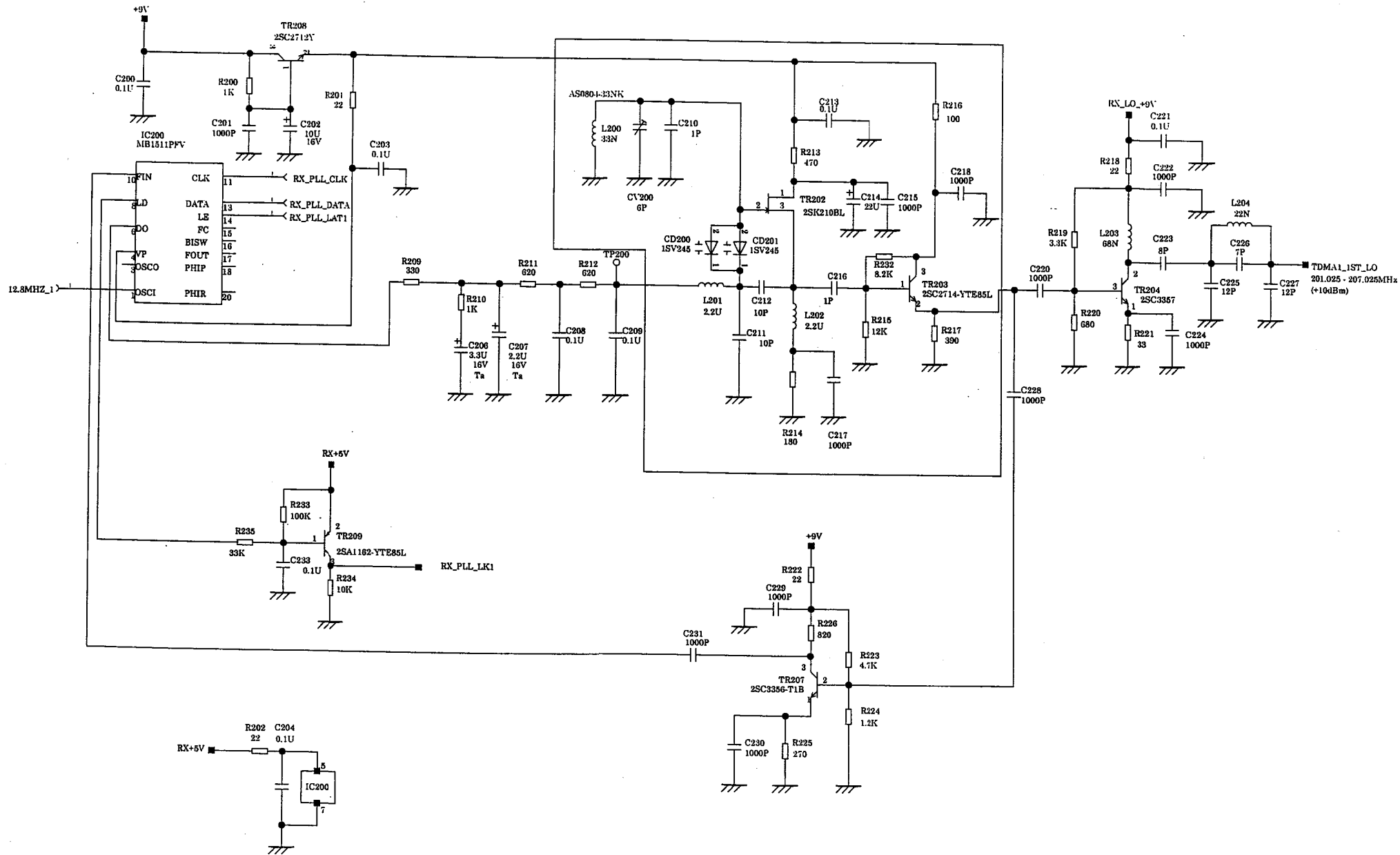
3.3 CBL-1221 FILTER UNIT

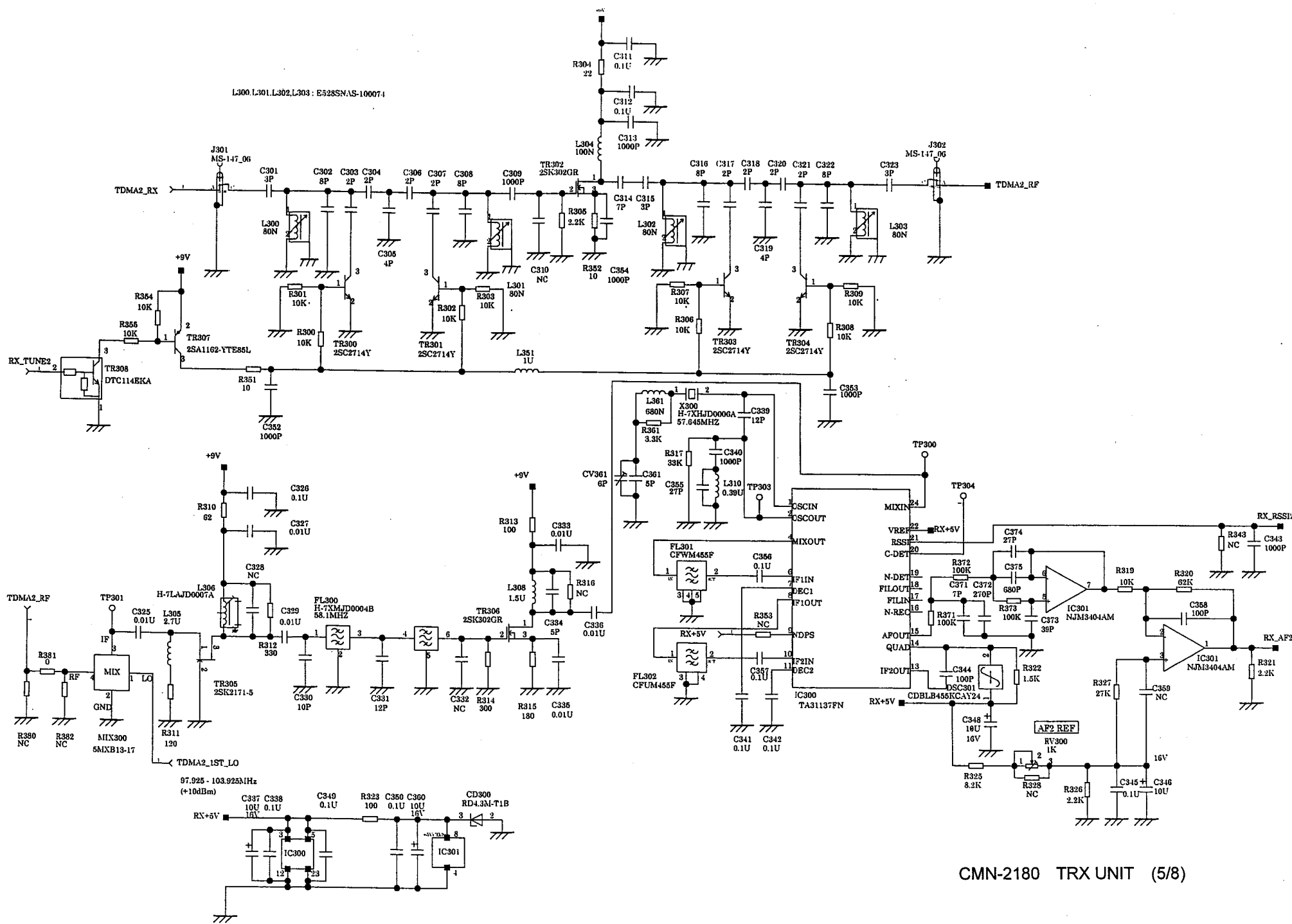


PC1:H-7PCJID0089A
 PD1:H-7PDJD0017A
 PC2:H-7PCJID0097A
 (GPS ANT)

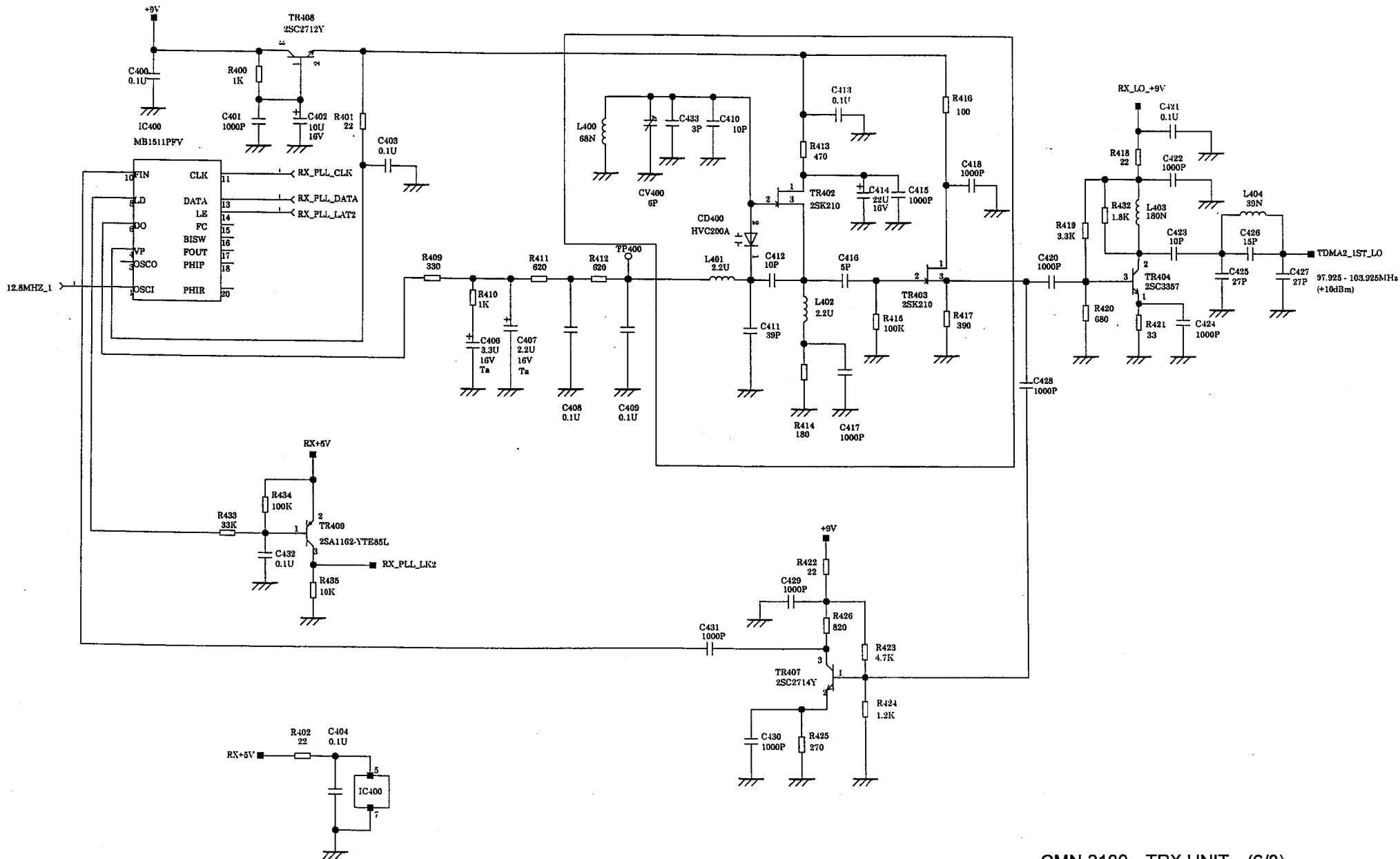


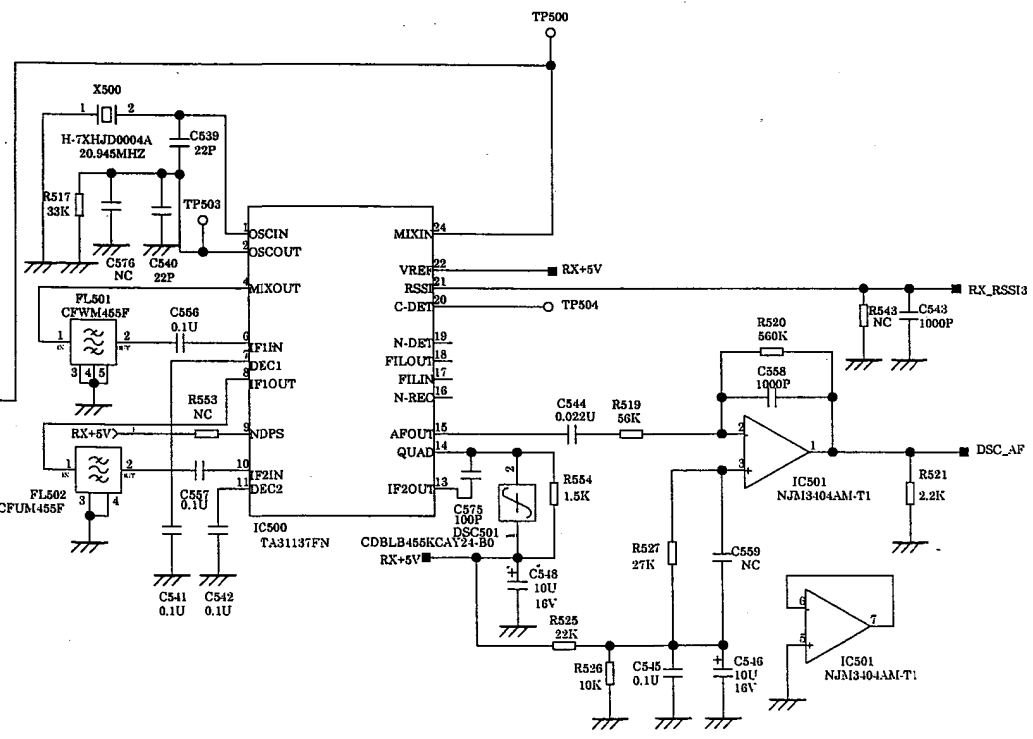
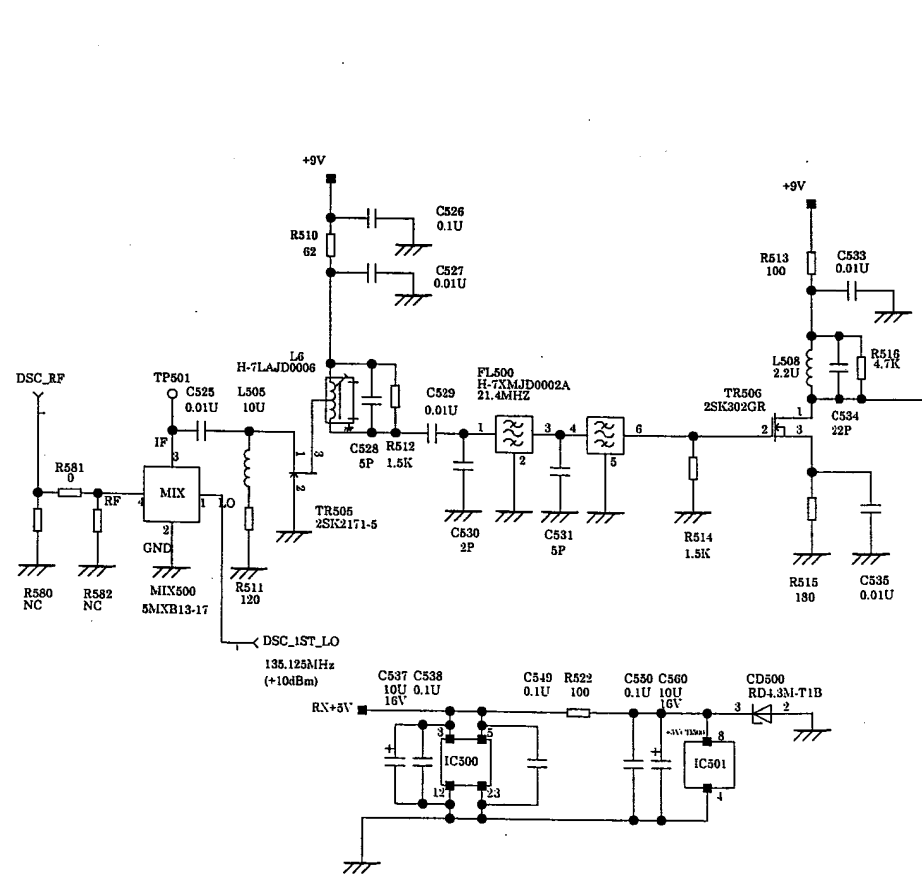
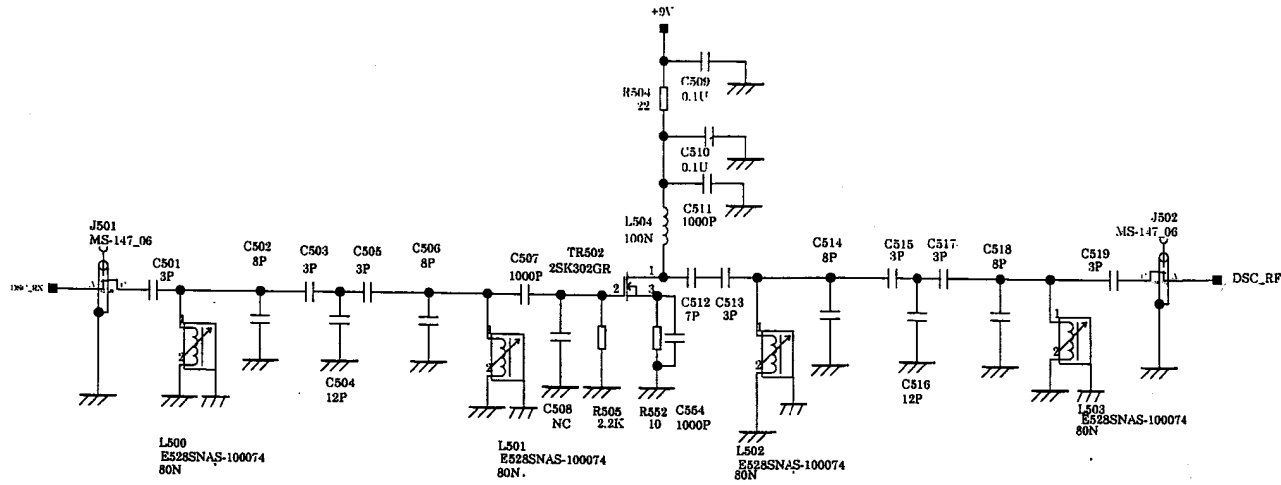
CMN-2180 TRX UNIT (1/8)



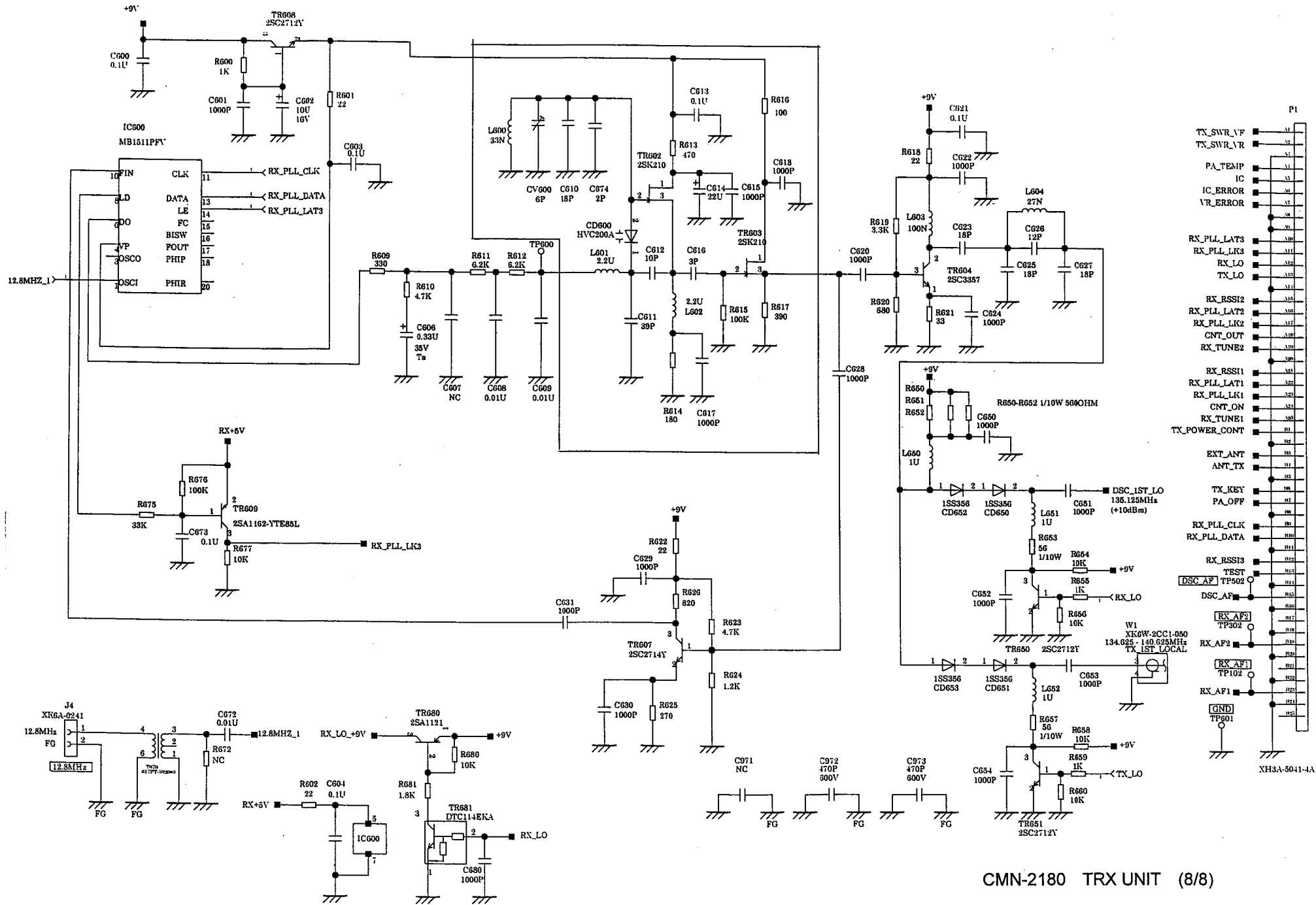


CMN-2180 TRX UNIT (5/8)



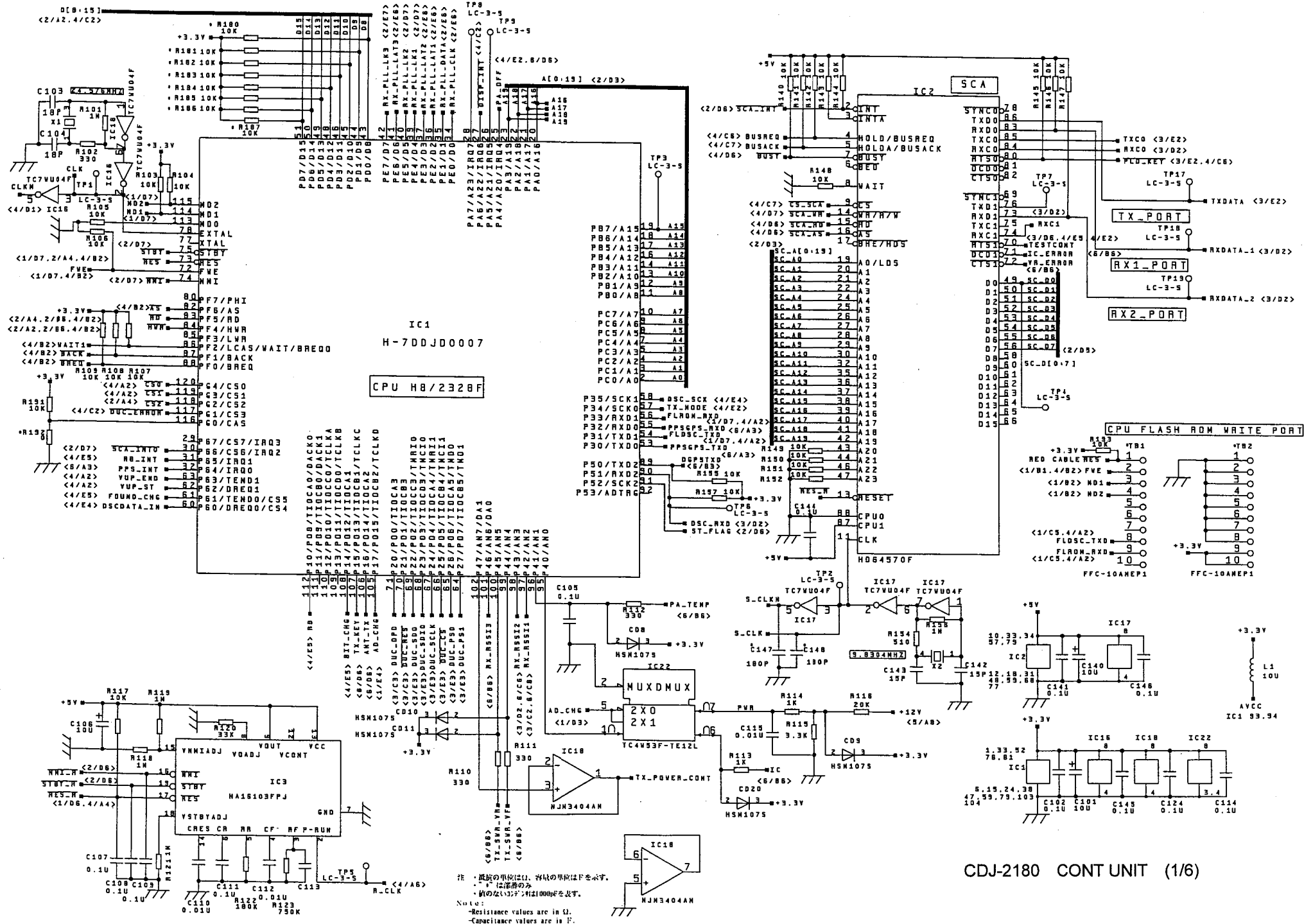


CMN-2180 TRX UNIT (7/8)

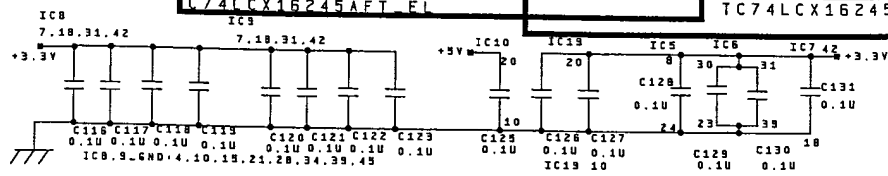
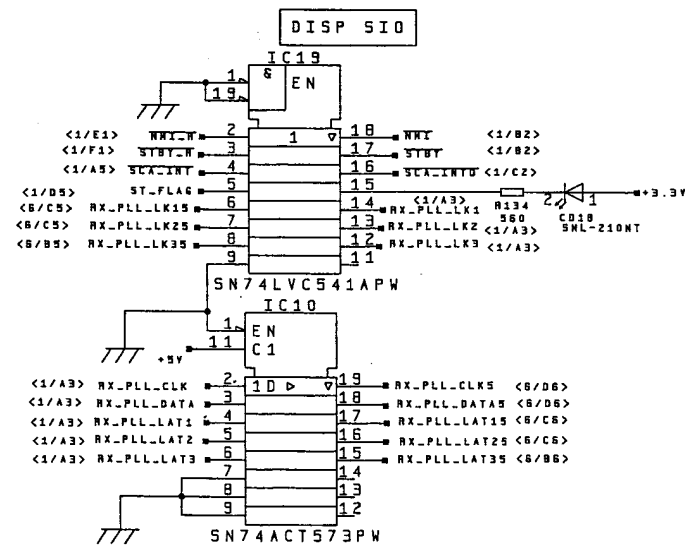
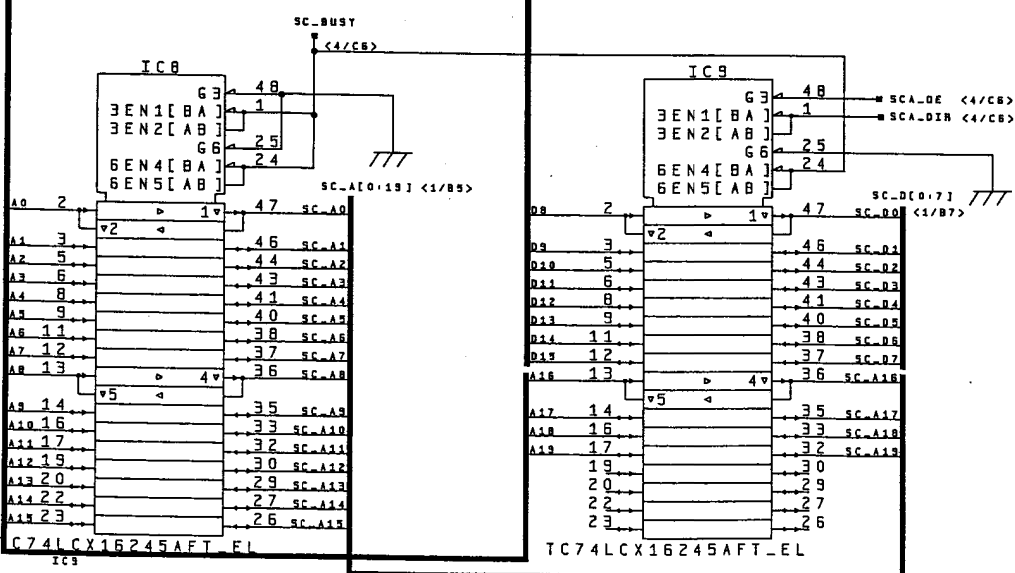
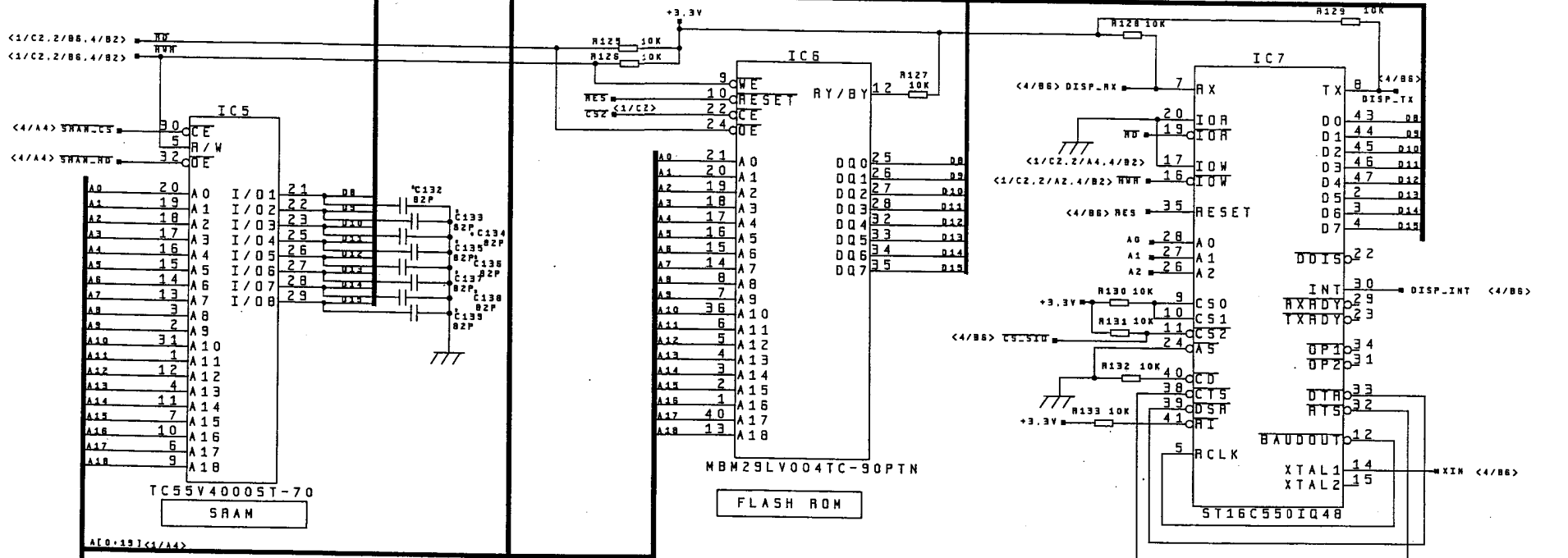


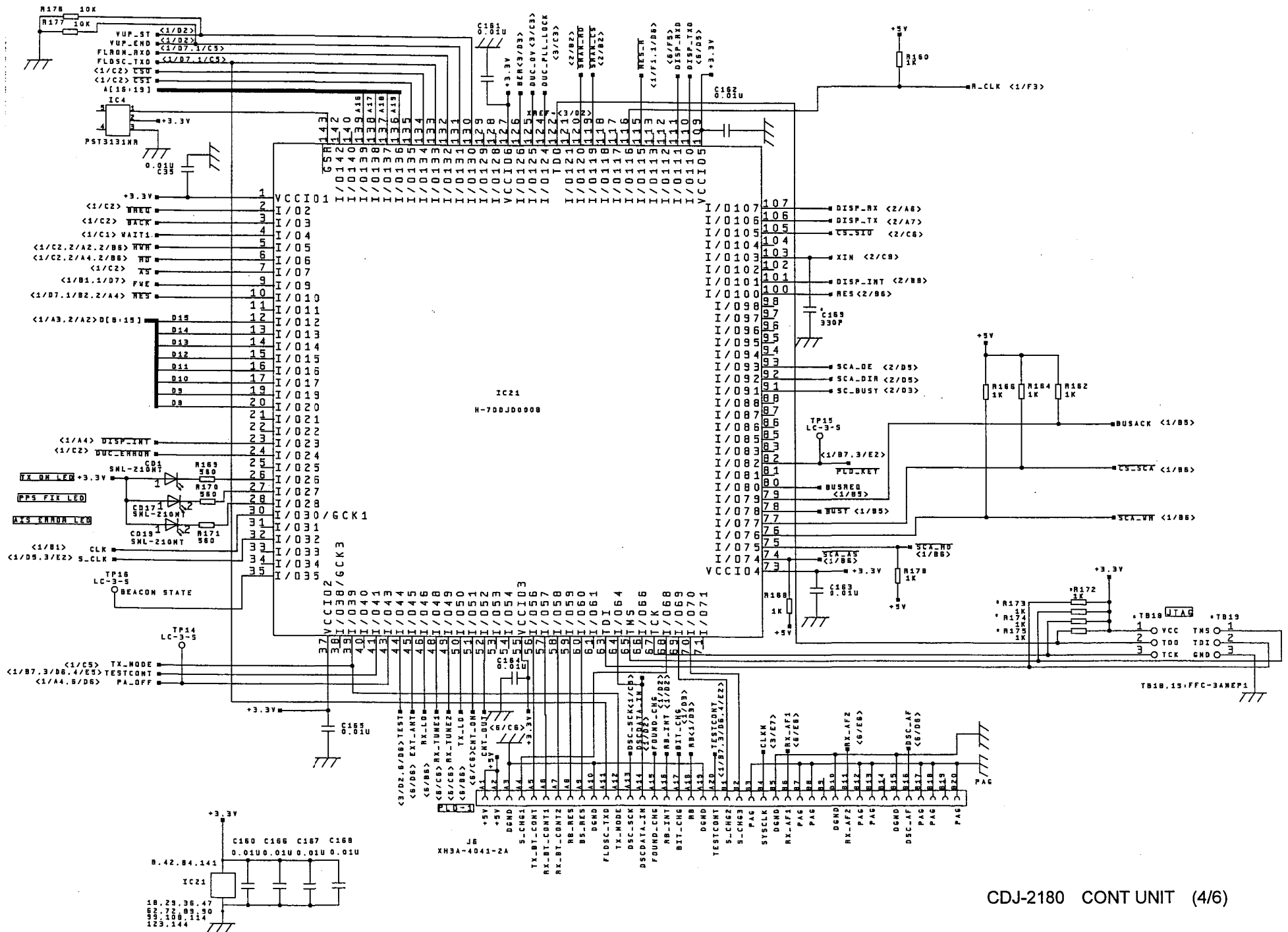
- P1
- TX_SWR_VF
 - TX_SWR_VR
 - PAT_TEMP
 - IC_ERROR
 - VR_ERROR
 - RX_PLL_LAT3
 - RX_PLL_LK3
 - RX_LO
 - TX_LO
 - RX_RSSI2
 - RX_PLL_LAT2
 - RX_PLL_LK2
 - CNT_OUT
 - RX_TUNE2
 - RX_RSSI1
 - RX_PLL_LAT1
 - RX_PLL_LK1
 - CNT_ON
 - RX_TUNE1
 - RX_POWER_CONT
 - EXT_ANT
 - ANT_TX
 - TX_KEY
 - PA_OFF
 - RX_PLL_CLK
 - RX_PLL_DATA
 - RX_RSSI3
 - TEST
 - DSC_AF1 TP502
 - DSC_AF2
 - RX_AF2
 - RX_AF1
 - GND TP601
- XH3A-5041-4A

CMN-2180 TRX UNIT (8/8)

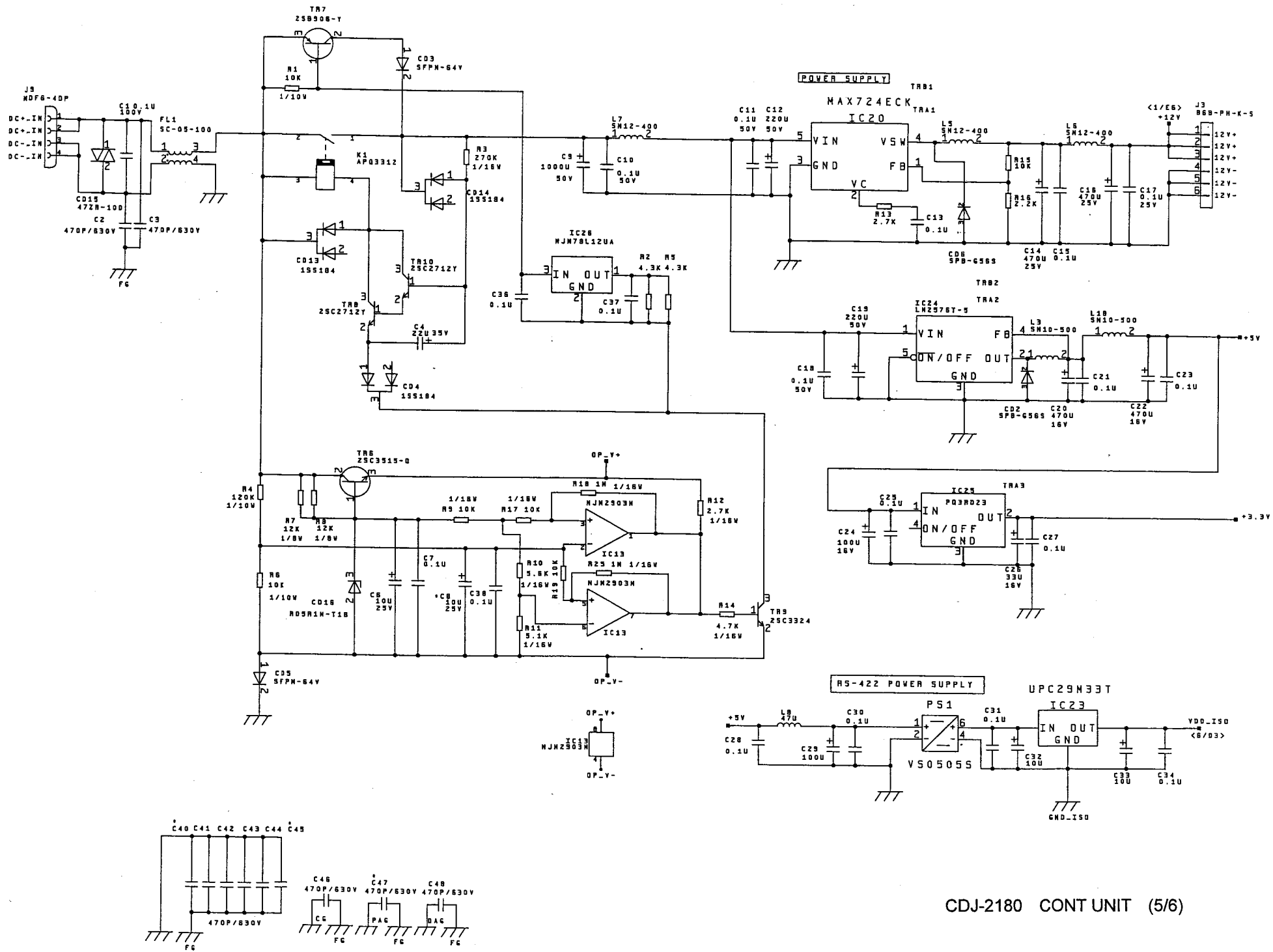


CDJ-2180 CONT UNIT (1/6)

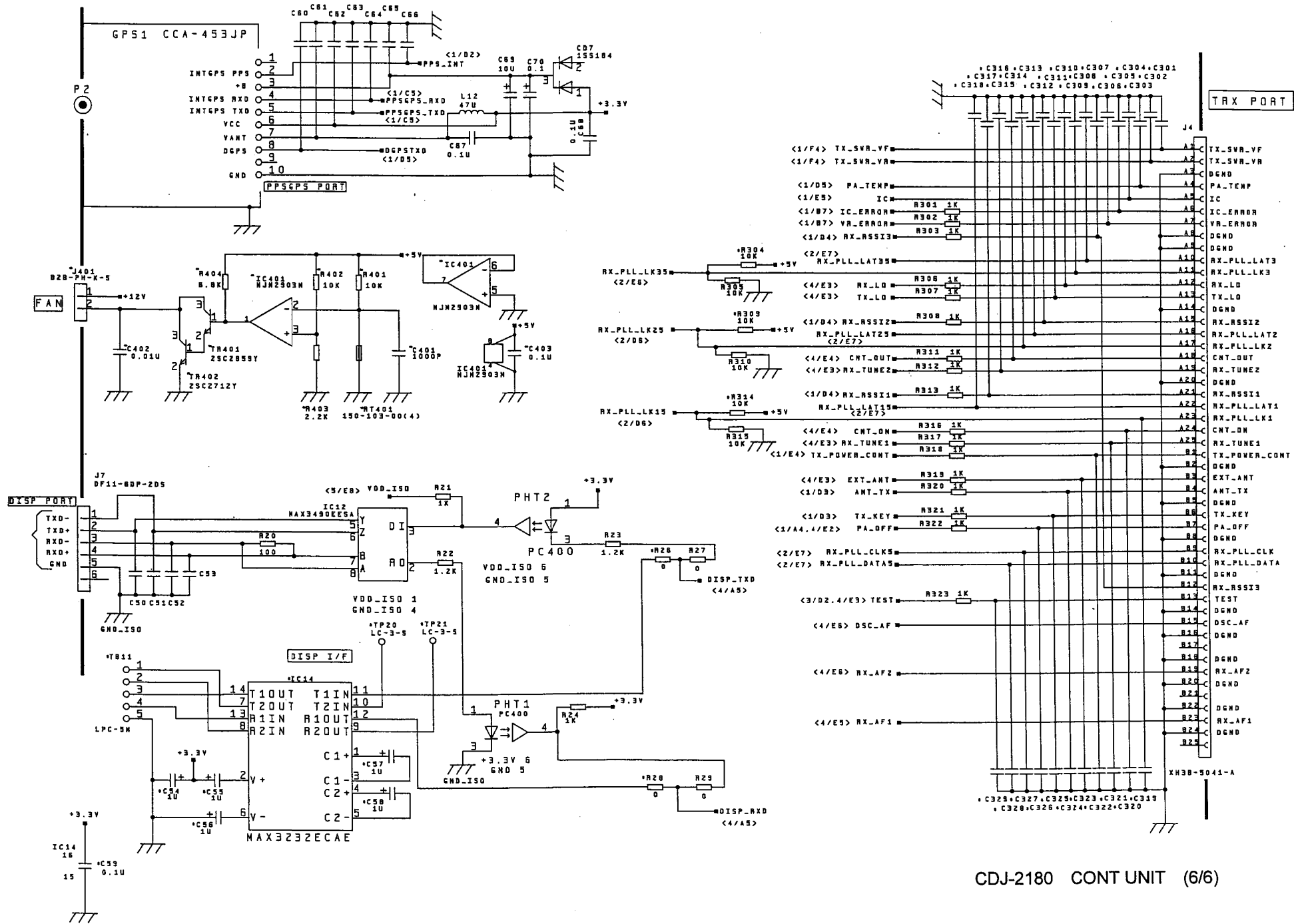




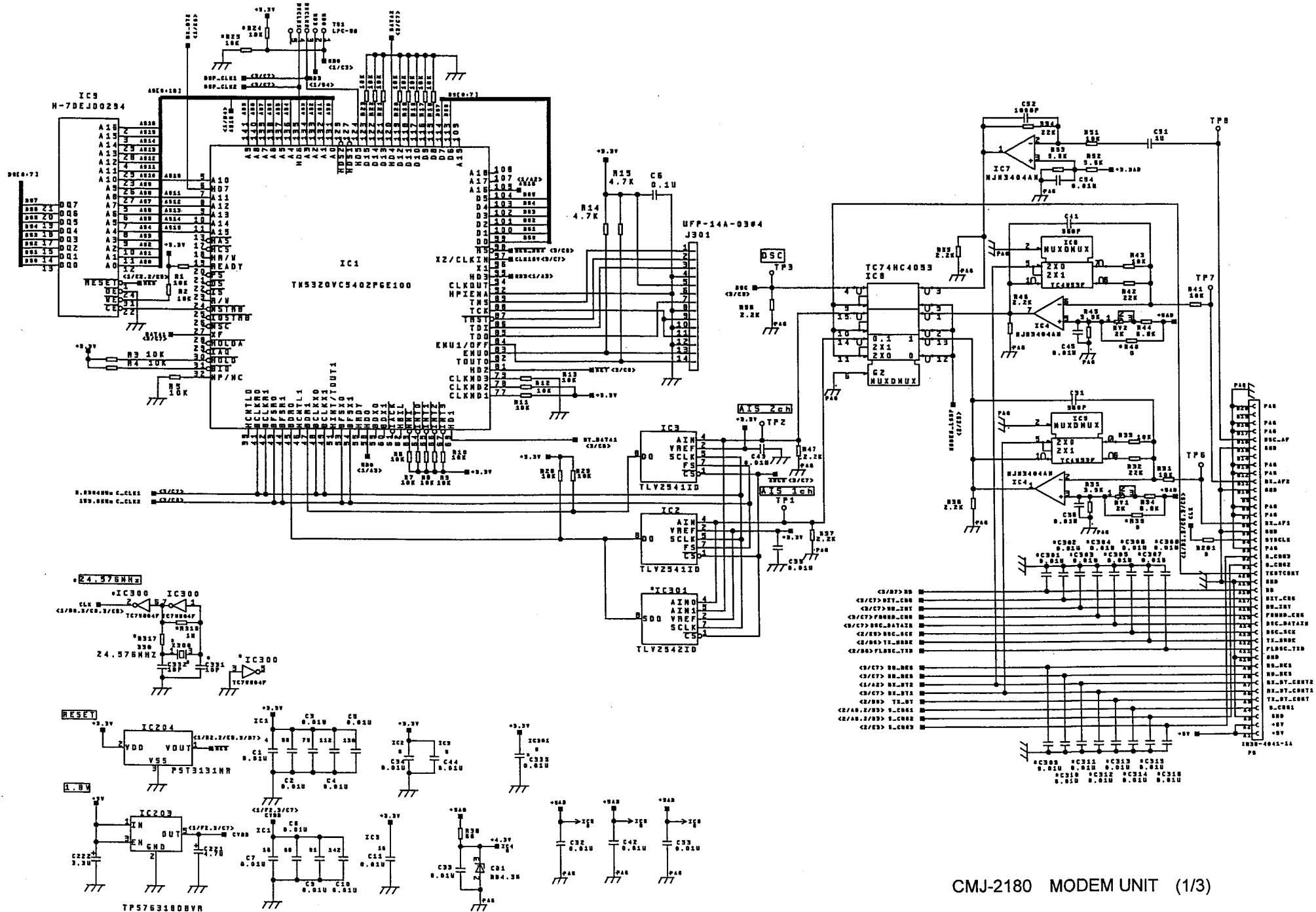
CDJ-2180 CONT UNIT (4/6)



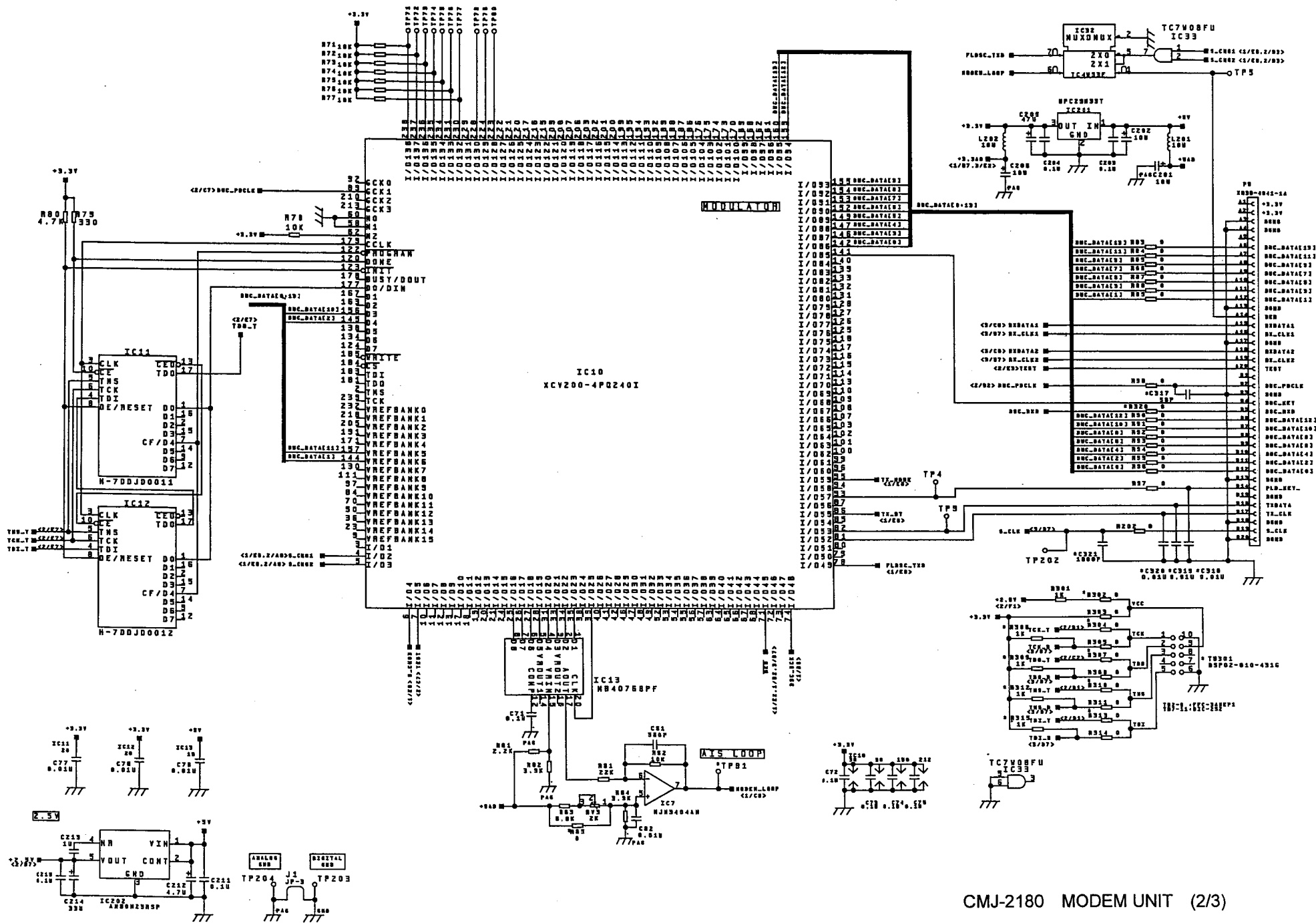
CDJ-2180 CONT UNIT (5/6)

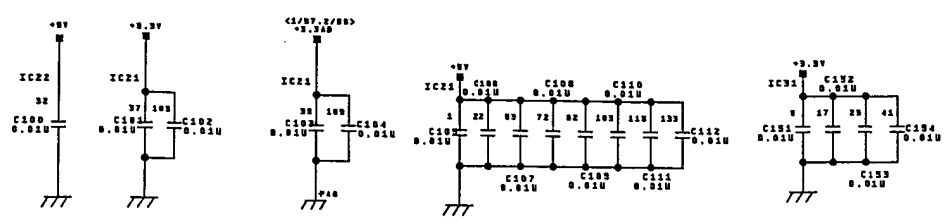
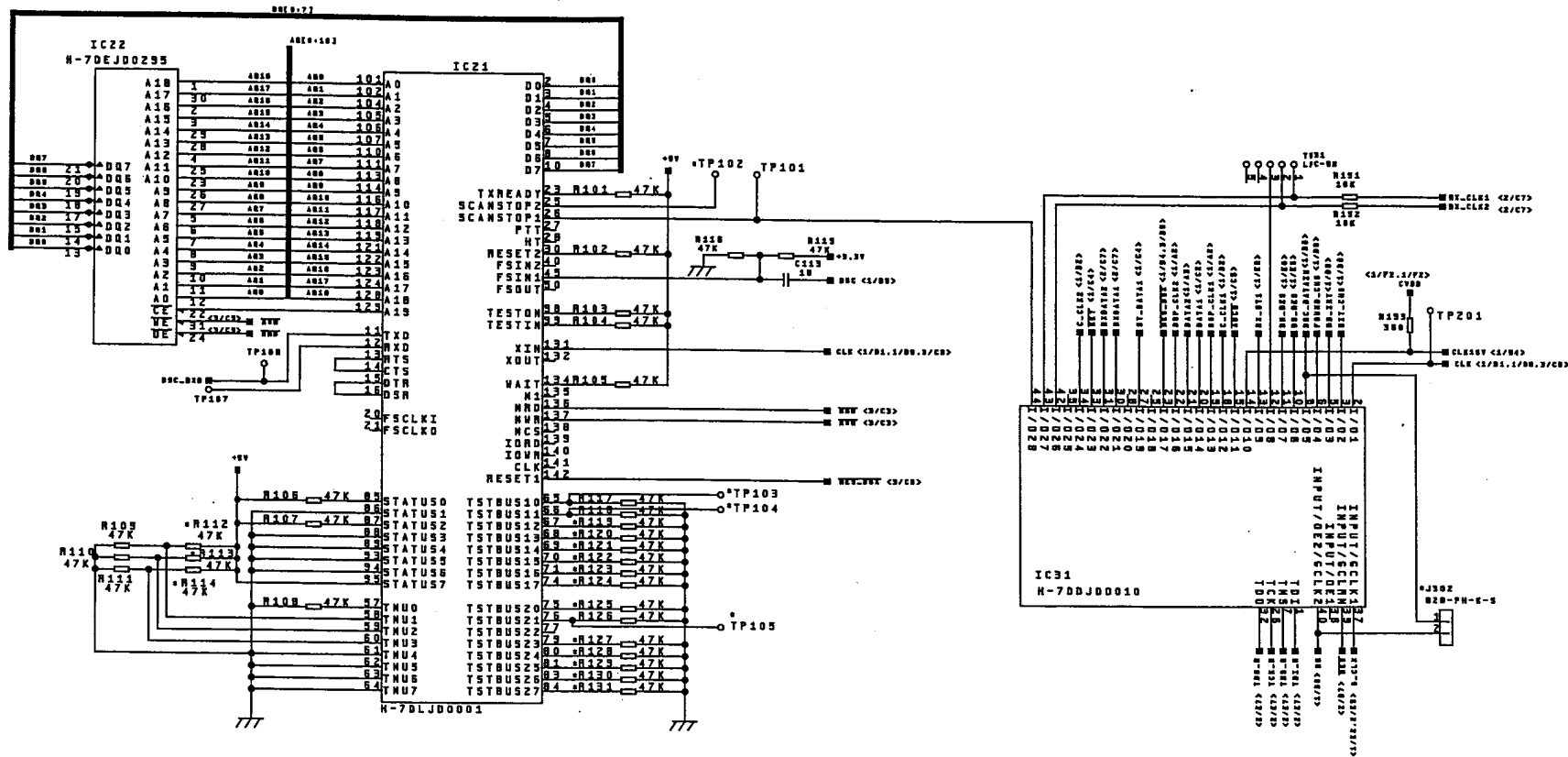


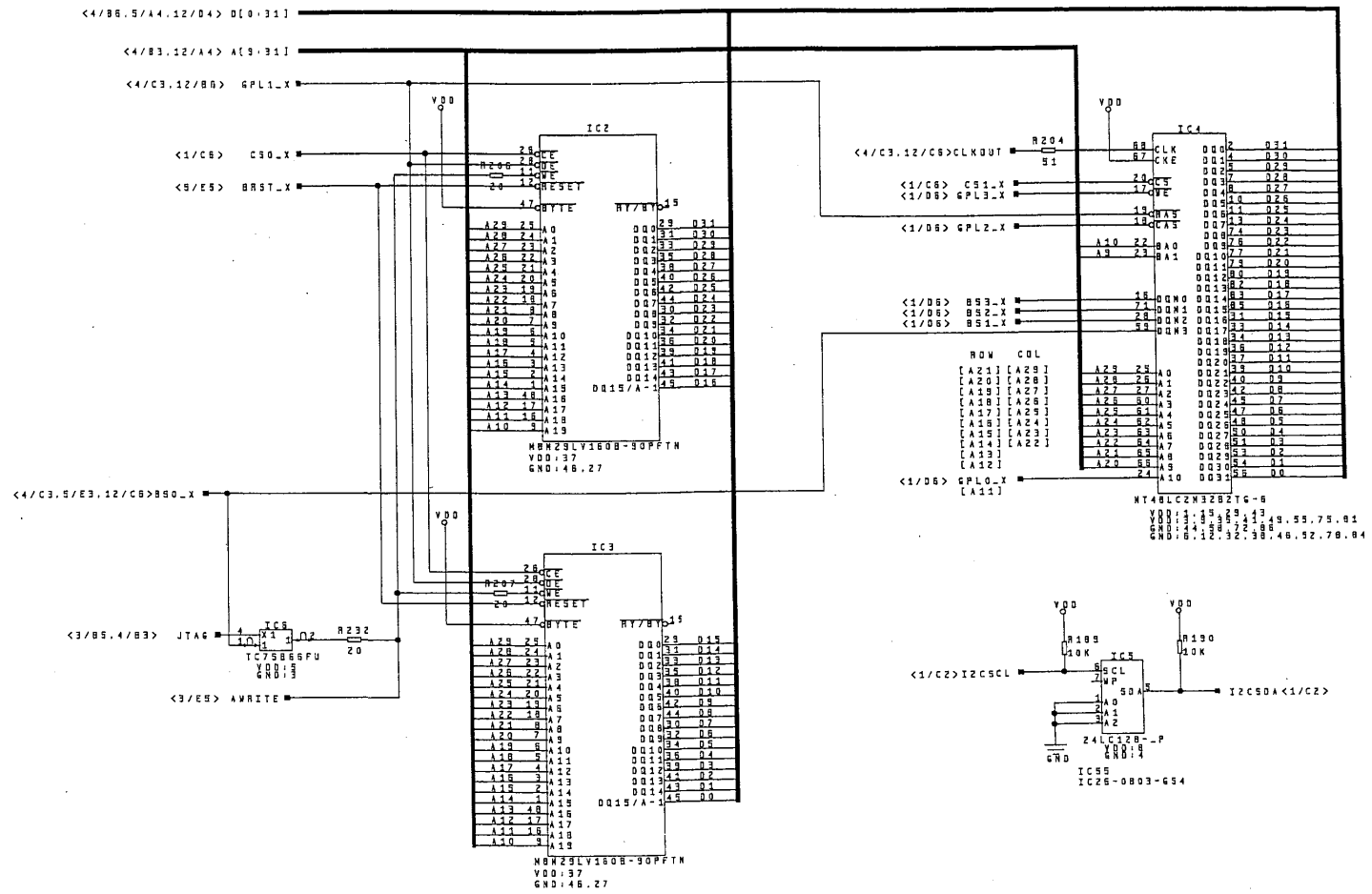
CDJ-2180 CONT UNIT (6/6)



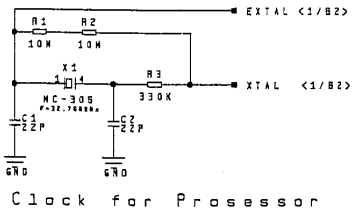
CMJ-2180 MODEM UNIT (1/3)



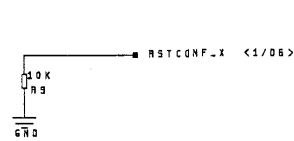




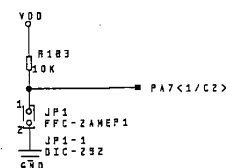
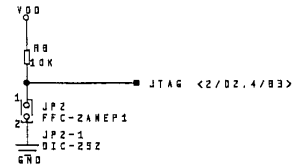
Memories



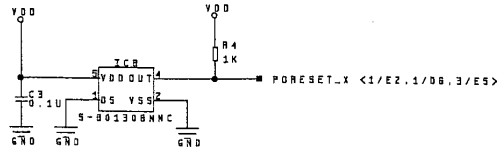
Clock for Processor



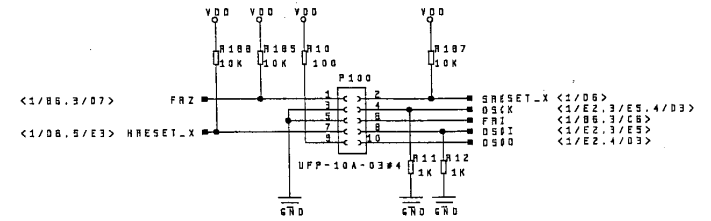
Reset Configuration



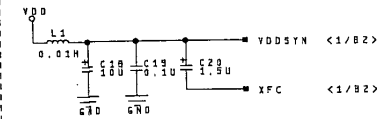
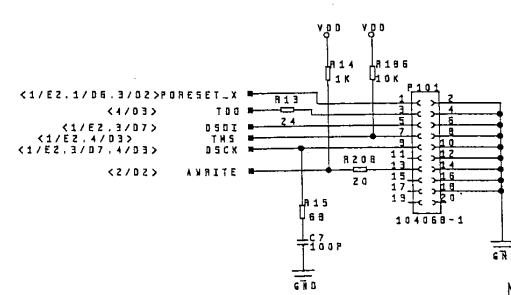
Reset Signals



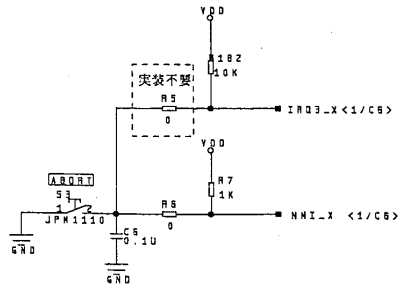
BDM Port

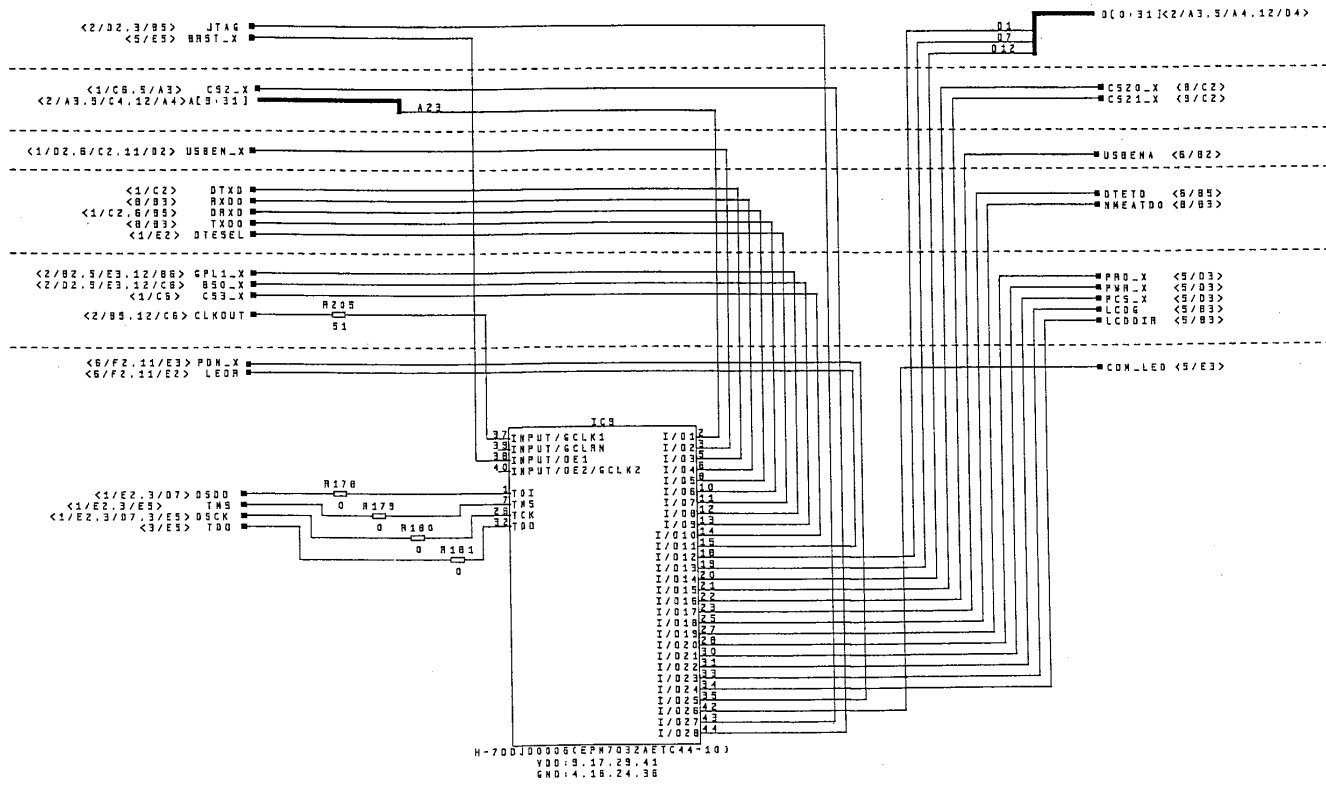


JTAG Port



MPC850 peripheral

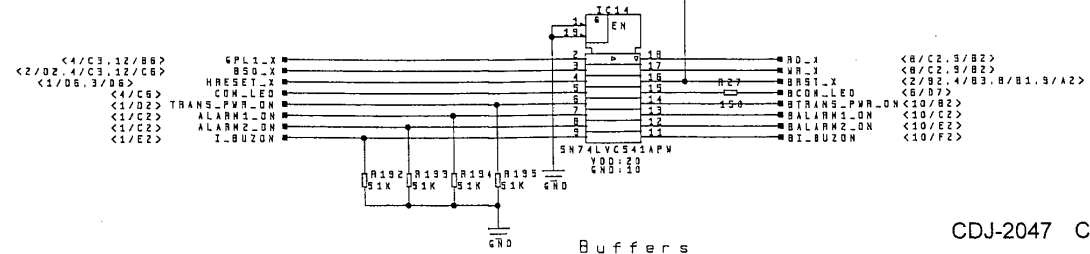
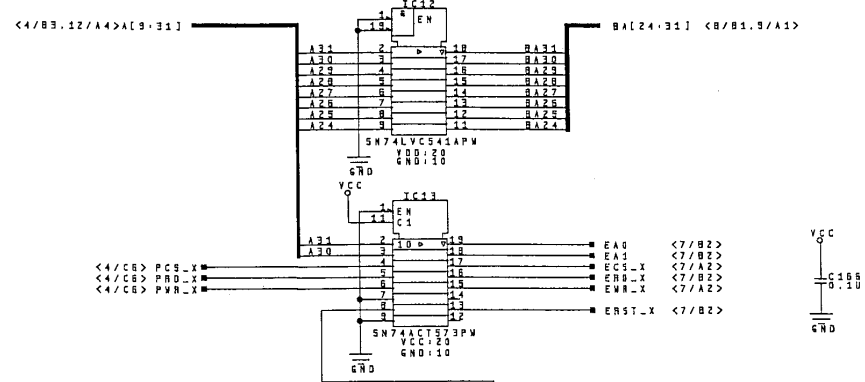
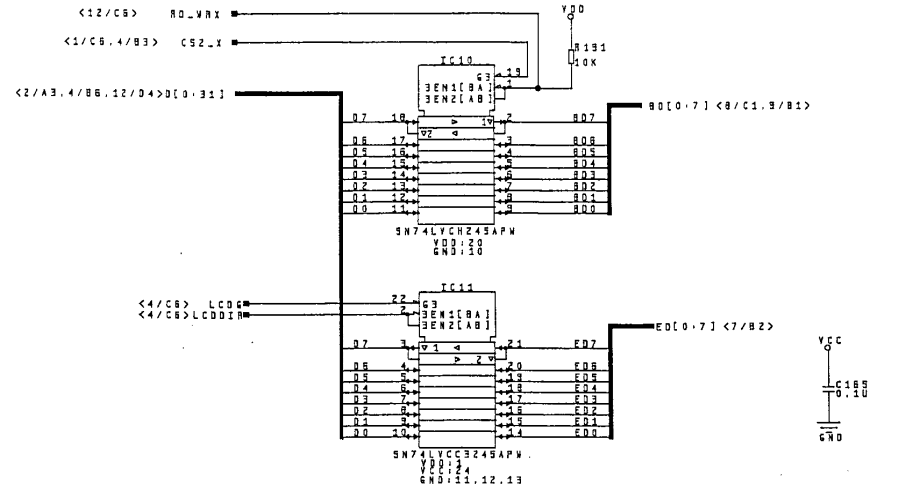




PLD

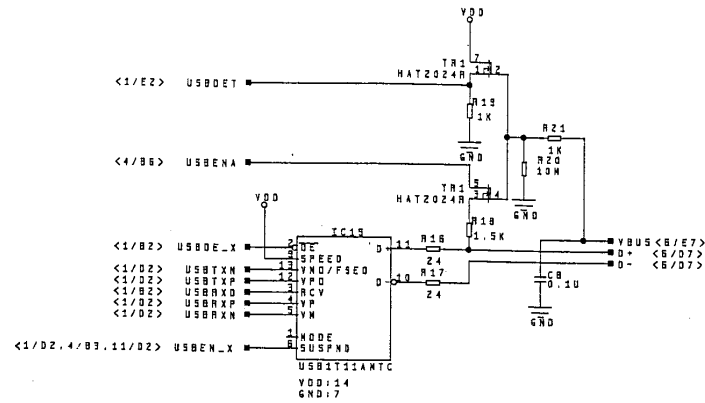
Address Decoder & Control

CDJ-2047 CONTROL UNIT (4/12)

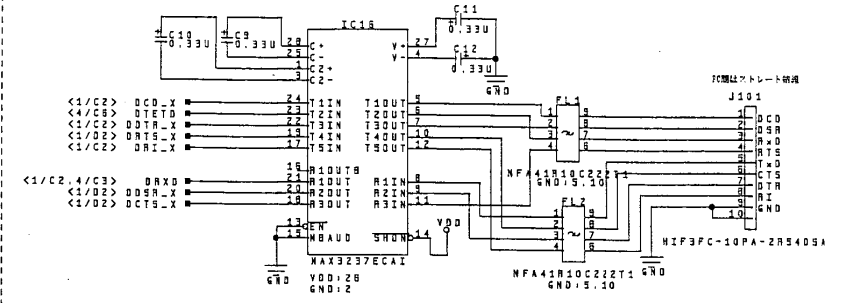


Bus Buffer

CDJ-2047 CONTROL UNIT (5/12)

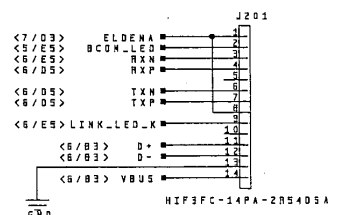
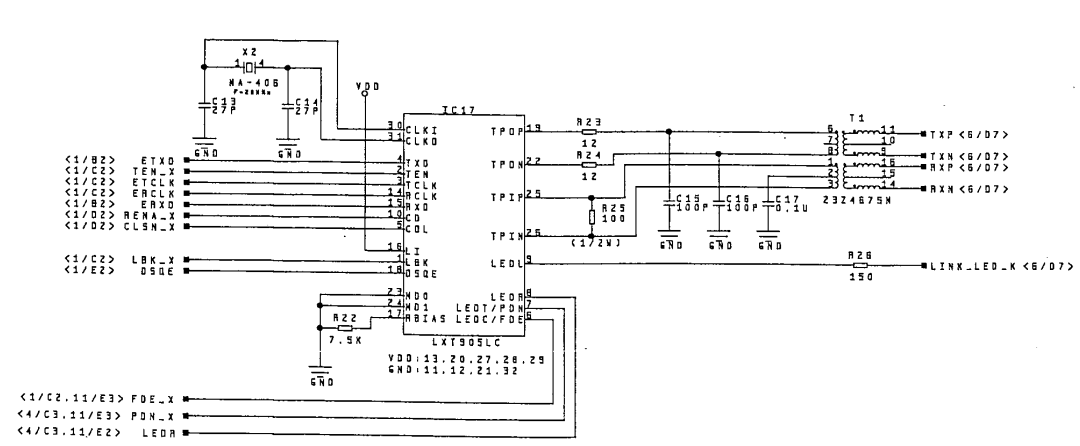


USB Transceiver

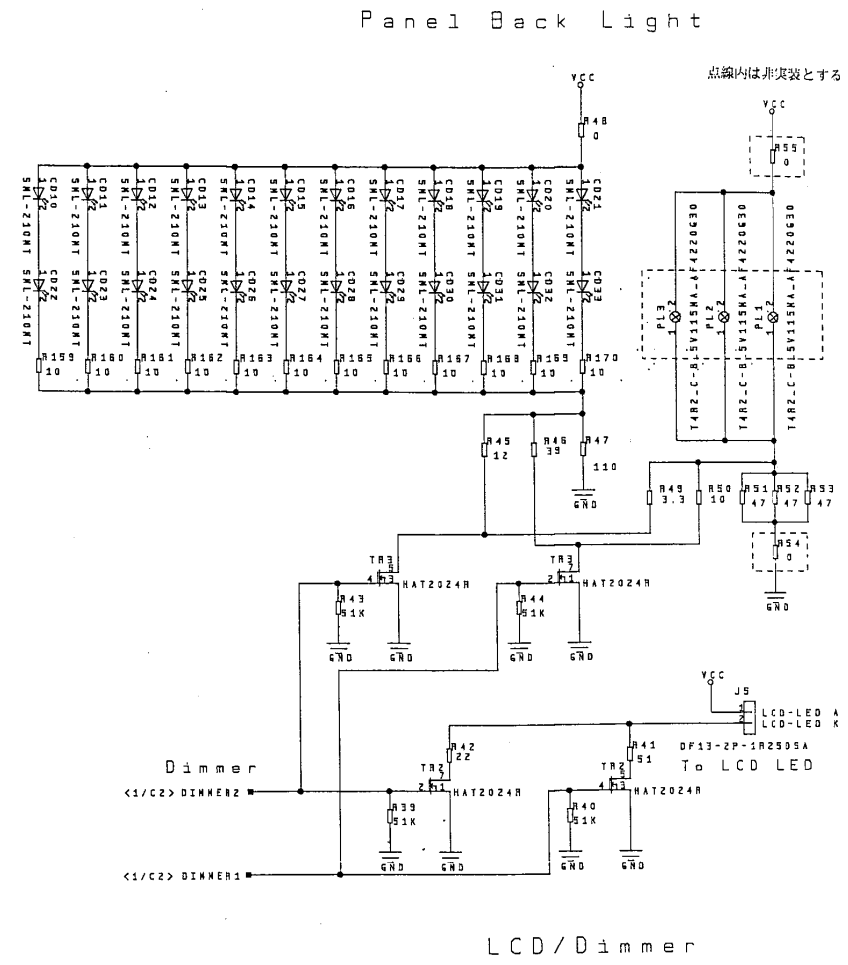
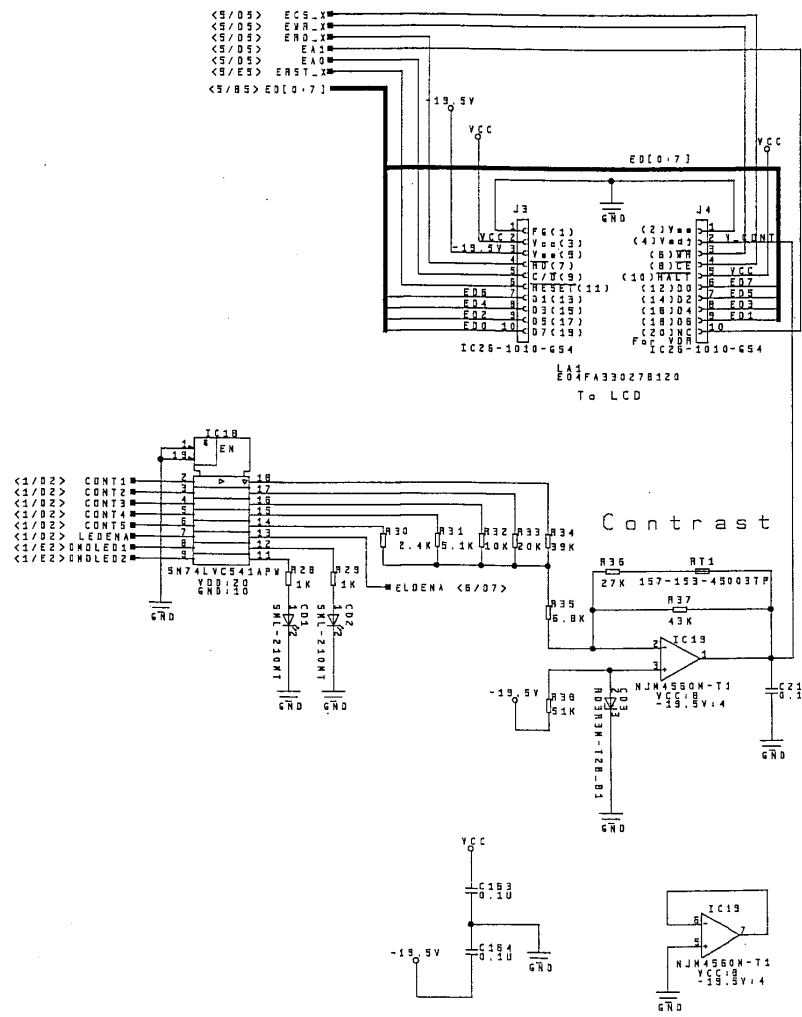


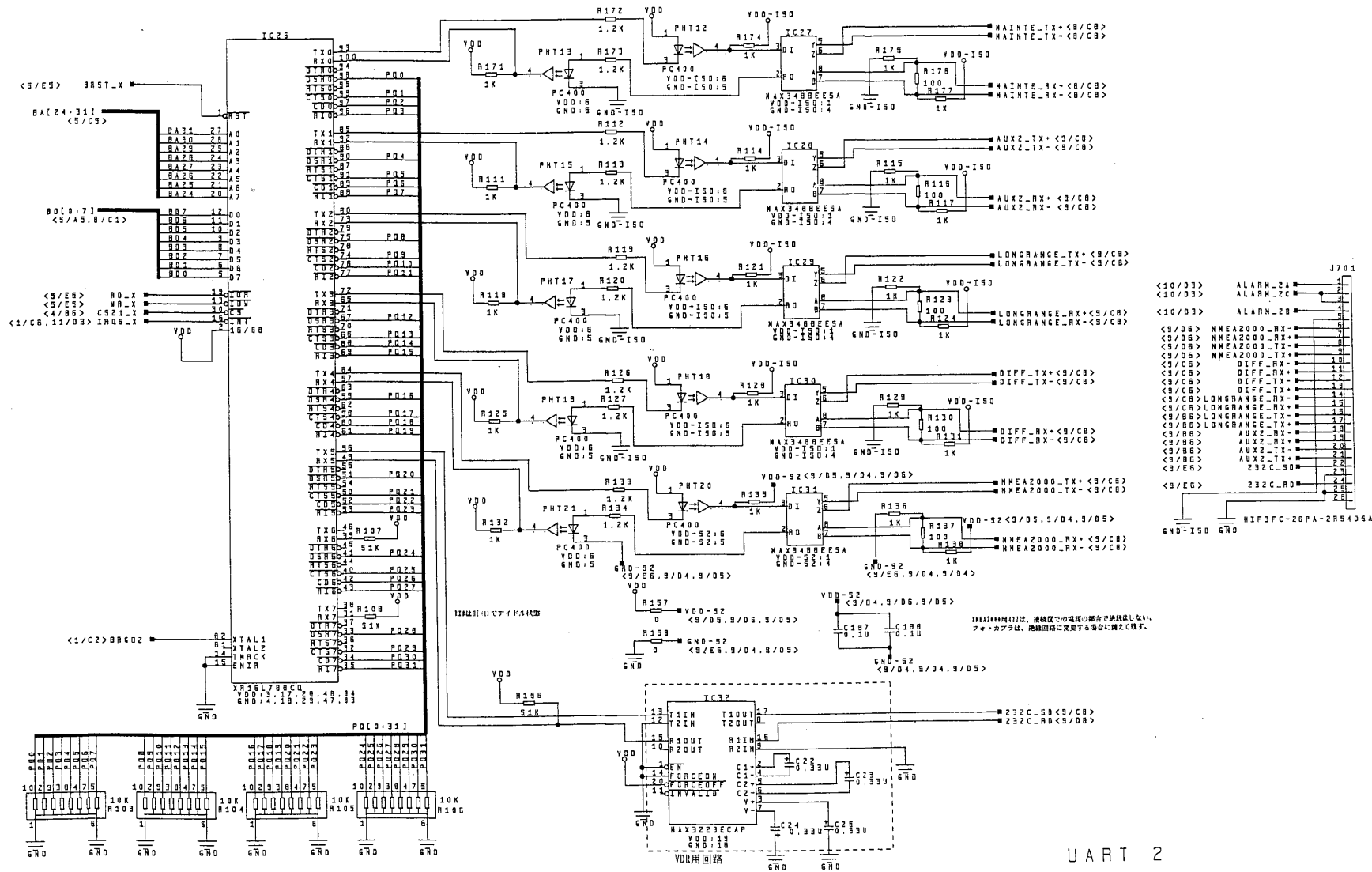
RS-232 Transceiver

Ethernet Transceiver

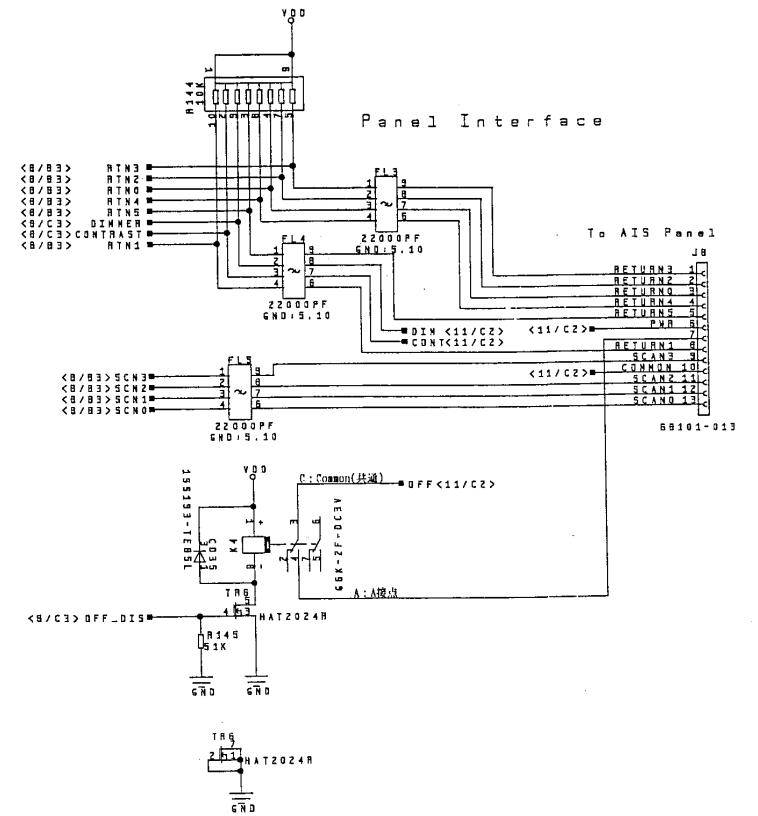
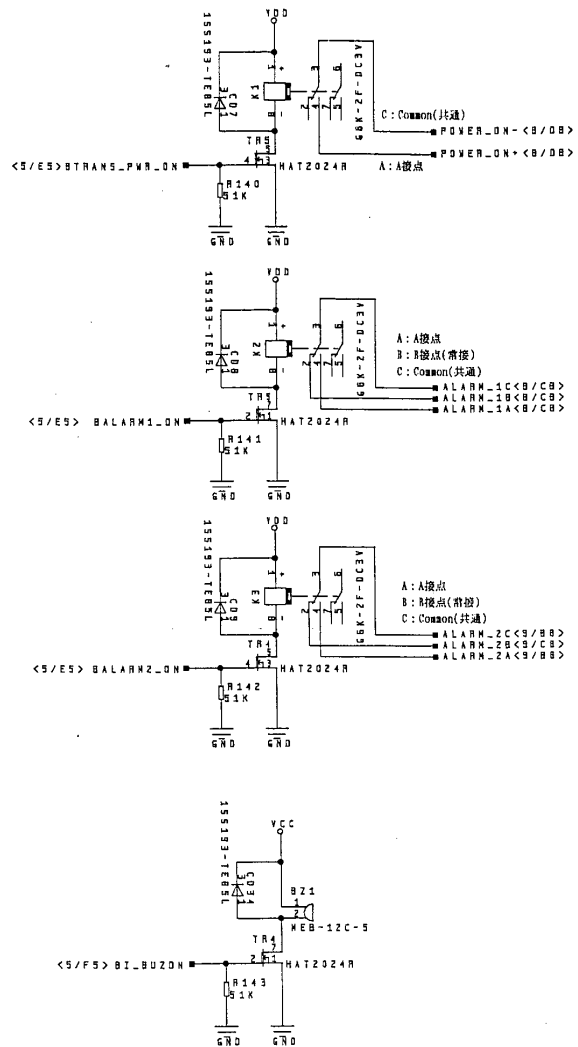


PC Interface



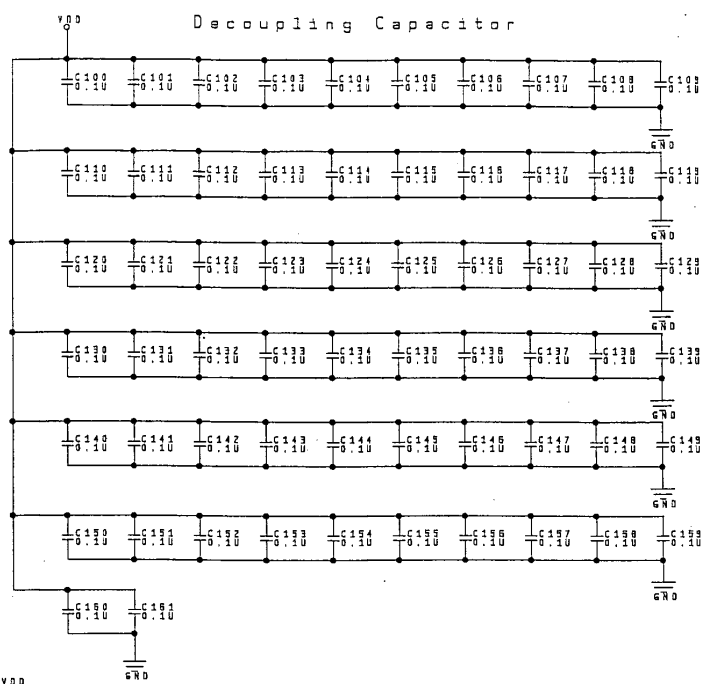
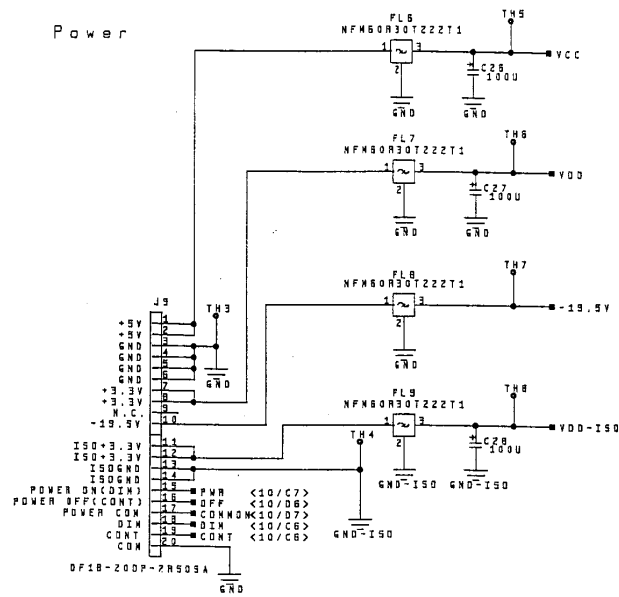


UART 2

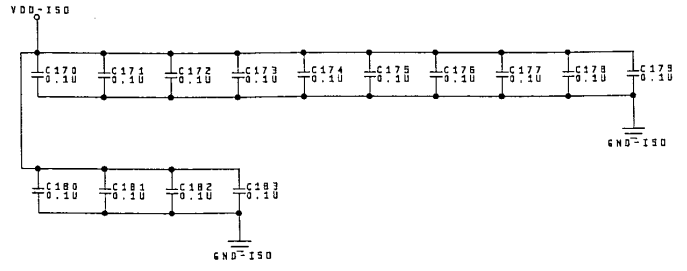
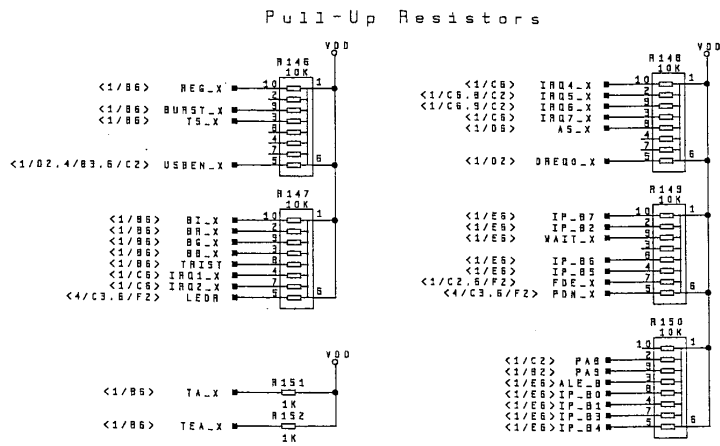


PNL IF/Relay

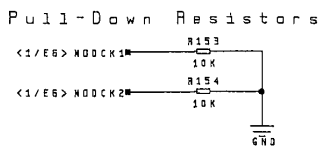
CDJ-2047 CONTROL UNIT (10/12)



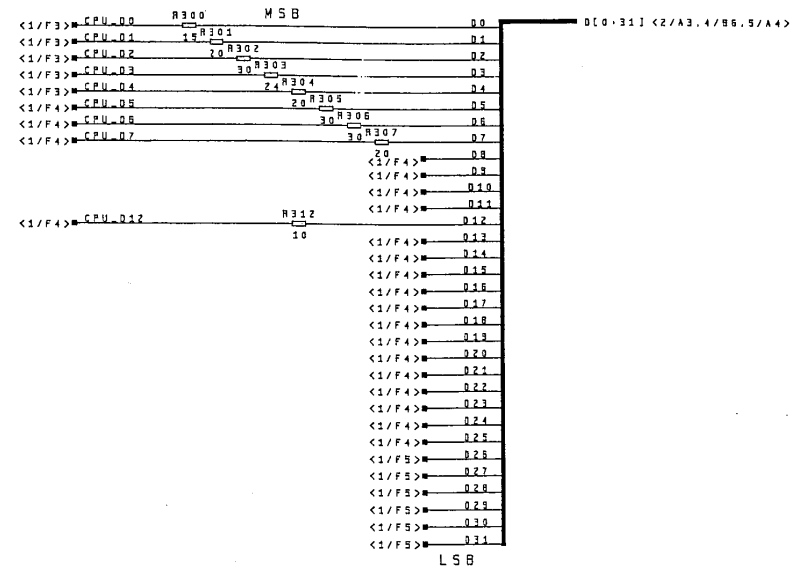
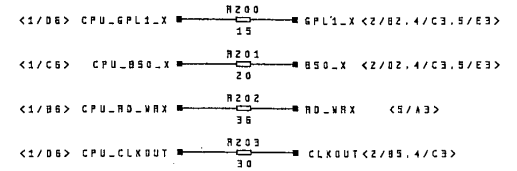
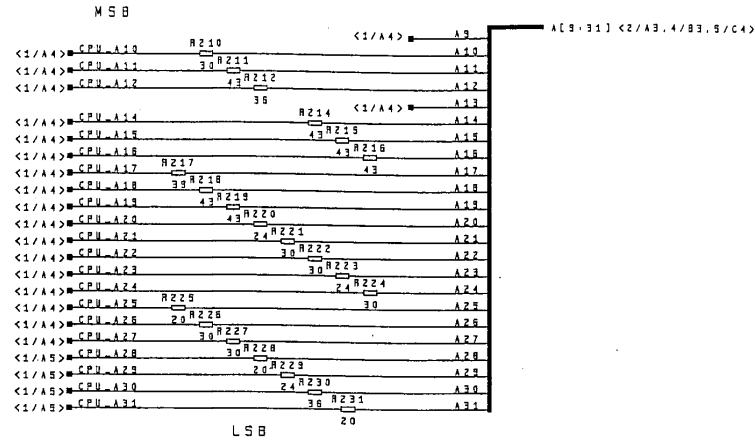
CPU : 10
 FROM : 2 x 2
 SDRAM : 6
 PLD : 4
 UART : 5
 ICのICに各1個
 5/6/10/11/12/14
 15/16/17/18/32
 以下のICに各1個
 2/3/4/5/5/7/9/11
 13/15/17/19/21
 合計 : 62



以下のICに各1個
 22/23/24/25/27
 28/29/50
 以下のICに各1個
 8/10/12/14/16/19
 合計 : 15

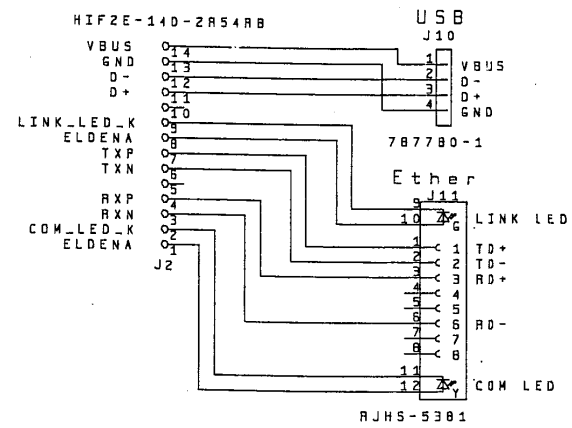


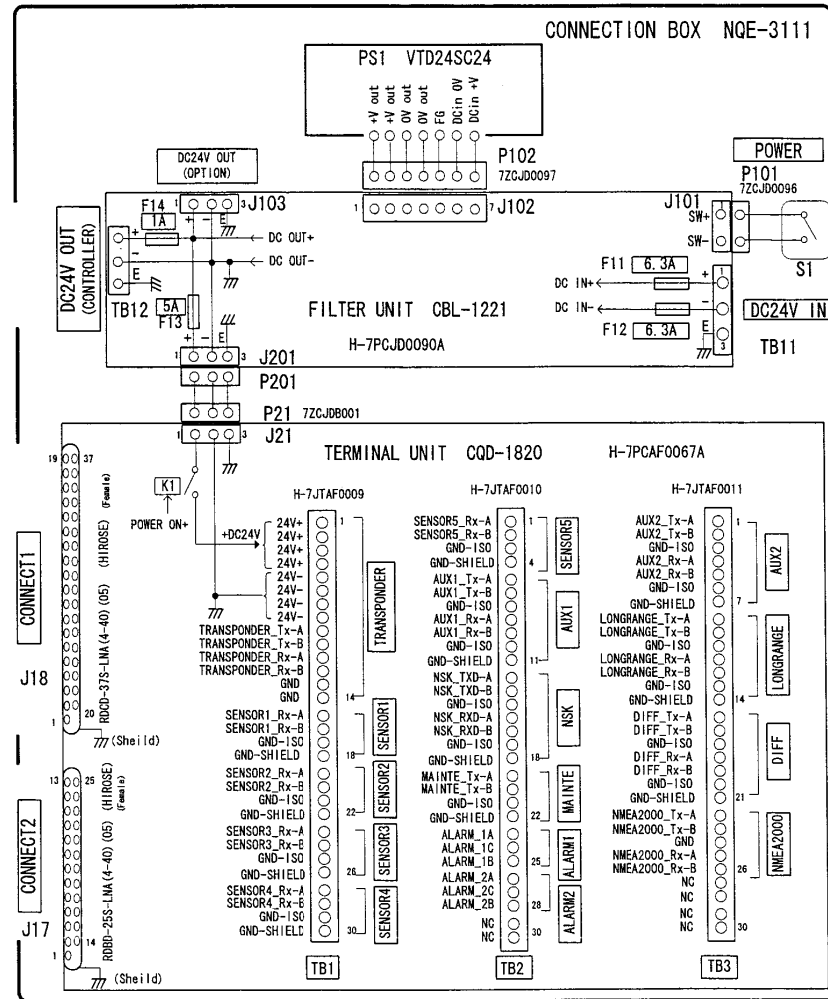
Power / Up-Down Res. / DeCup C



Dumping Register

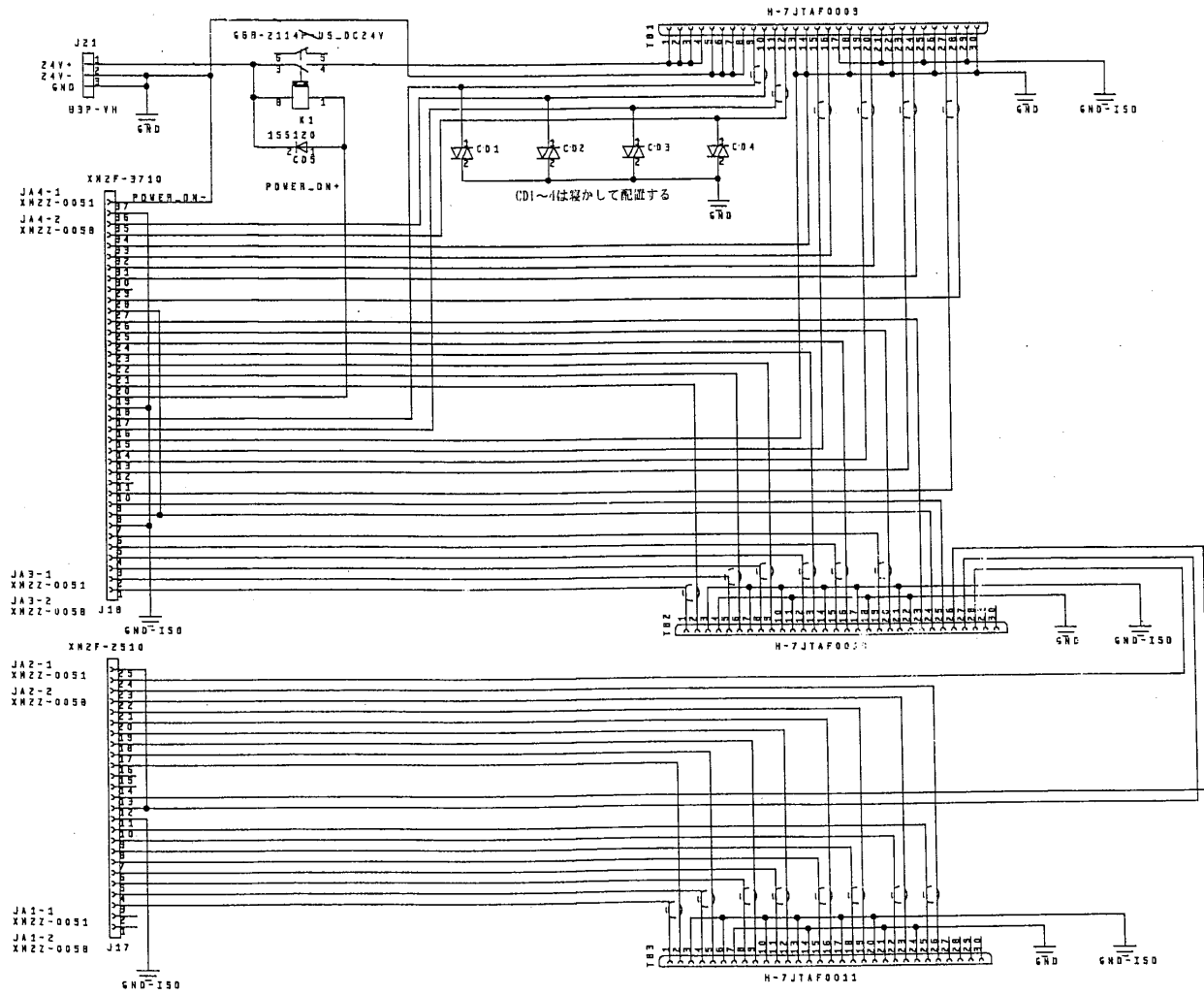
CDJ-2047 CONTROL UNIT (12/12)

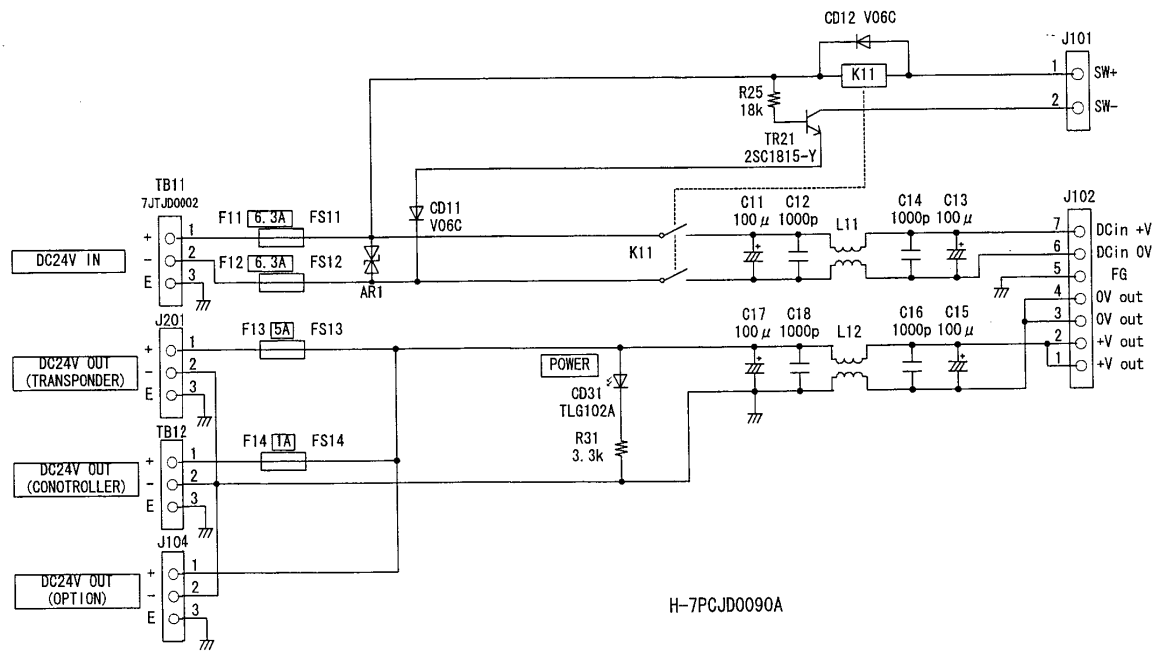




pin	Terminal	pin	NAME	pin	Terminal	pin	NAME	pin	Terminal	pin	NAME
1	J21	K1	K1 24V+	1	J18	20	SENSORS Rx-A	1	J17	37	AUX2 Tx-A
2	J21	K1	24V+	2	J18	20	SENSORS Rx-B	2	J17	18	AUX2 Tx-B
3	J21	K1	24V+	3	J18	20	GND-ISO	3	J17	18	GND-ISO
4	J21	K1	24V+	4	J18	20	GND	4	J17	4	AUX2 Rx-A
5	J21	2	24V+	5	J18	2	AUX1 Tx-A	5	J17	17	AUX2 Rx-B
6	J21	2	24V-	6	J18	21	AUX1 Tx-B	6	J17	17	GND-ISO
7	J21	2	24V-	7	J18	2	24V-	7	J17	5	GND
8	J21	2	24V-	8	J18	3	AUX1 Rx-A	8	J17	5	LONGRANGE Tx-A
9	J18	17	TRANSPONDER Tx-A	9	J18	22	AUX1 Rx-B	9	J17	18	LONGRANGE Tx-B
10	J18	35	TRANSPONDER Tx-B	10	J18	4	GND-ISO	10	J17	18	GND-ISO
11	J18	16	TRANSPONDER Rx-A	11	J18	23	NSK Tx-A	11	J17	8	LONGRANGE Rx-A
12	J18	34	TRANSPONDER Rx-B	12	J18	4	NSK Tx-B	12	J17	19	LONGRANGE Rx-B
13		GND		13	J18	23	NSK Tx-B	13	J17	19	GND-ISO
14		GND		14	J18	23	NSK Tx-B	14	J17	7	DIFF Tx-A
15	J18	14	SENSOR1 Rx-A	15	J18	5	NSK Rx-A	15	J17	7	DIFF Rx-A
16	J18	32	SENSOR1 Rx-B	16	J18	24	NSK Rx-B	16	J17	20	DIFF Tx-B
17		GND-ISO		17		GND-ISO		17	J17	8	DIFF Rx-B
18		GND		18	J18	8	MAINTe Tx-A	18	J17	8	DIFF Rx-A
19	J18	13	SENSOR2 Rx-A	19	J18	25	MAINTe Tx-B	19	J17	21	DIFF Rx-B
20	J18	31	SENSOR2 Rx-B	20	J18	25	MAINTe Tx-B	20	J17	21	GND-ISO
21		GND-ISO		21		GND-ISO		21	J17	9	NMEA2000 Tx-A
22		GND		22		GND		22	J17	22	NMEA2000 Tx-B
23	J18	12	SENSOR3 Rx-A	23	J18	26	ALARM1A	23	J17	23	NMEA2000 Rx-A
24	J18	30	SENSOR3 Rx-B	24	J18	27	ALARM1C	24	J17	23	GND
25		GND-ISO		25	J18	9	ALARM1B	25	J17	10	NMEA2000 Rx-B
26		GND		26	J17	13	ALARM2A	26	J17	23	NMEA2000 Rx-B
27	J18	10	SENSOR4 Rx-A	27	J17	25,12	ALARW2C	27		NC	
28	J18	28	SENSOR4 Rx-B	28	J17	24	ALARW2B	28		NC	
29		GND-ISO		29		NC		29		NC	
30		GND		30		NC		30		NC	

NQE-3111 CONNECTION BOX (1/1)





H-7PCJD0090A