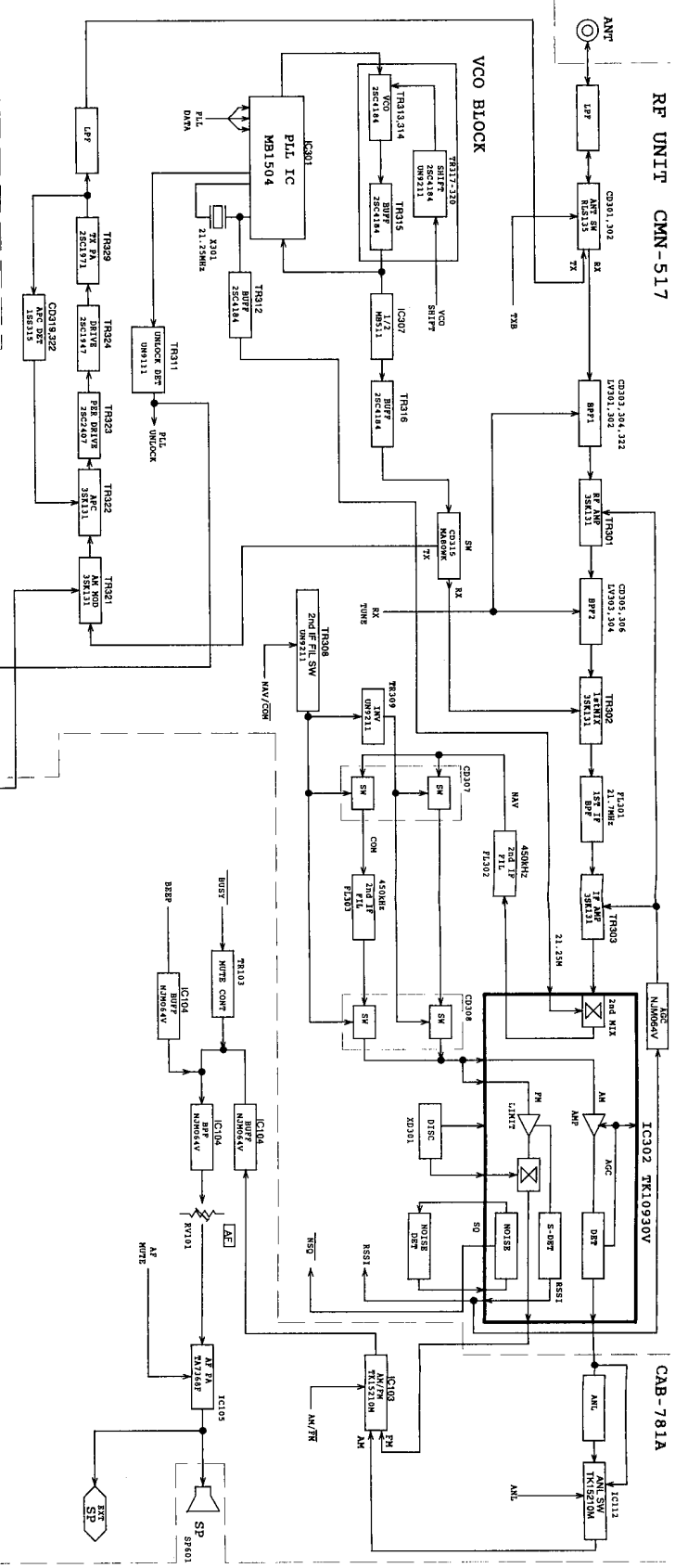
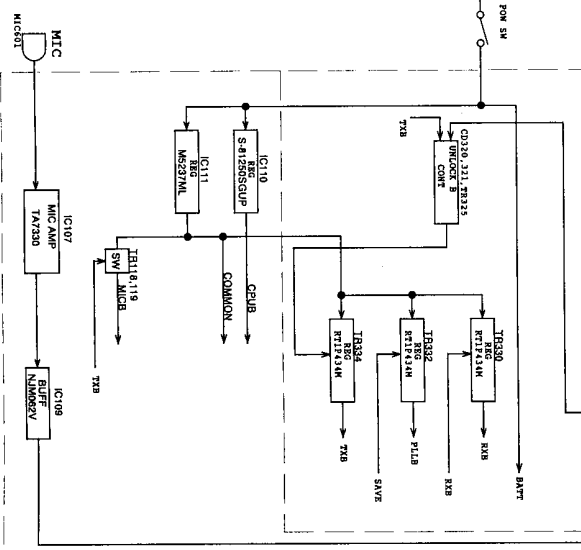


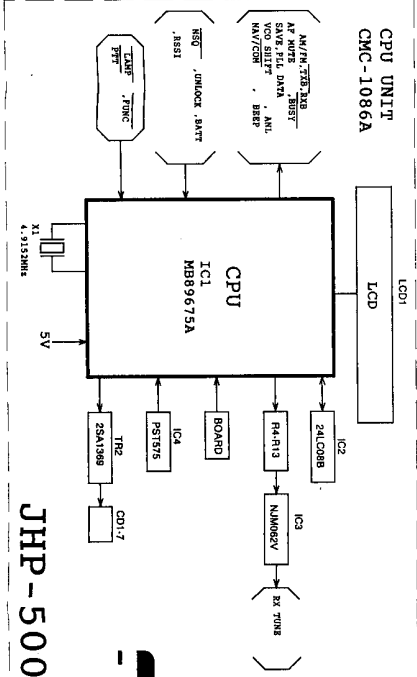
RF UNIT CMN-517



BATT UNIT  
NBB-487



CPU UNIT  
CMC-1086A



JHP-500 BLOCK DIAGRAM

FCC ID: CKEJHP-500  
BLOCK DIAGRAM