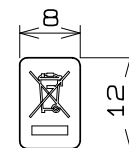
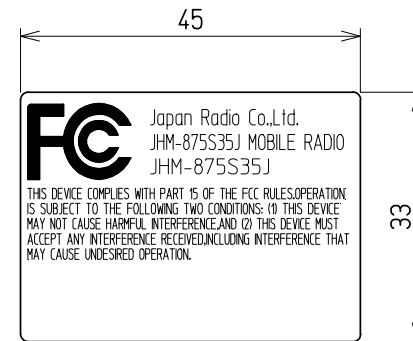
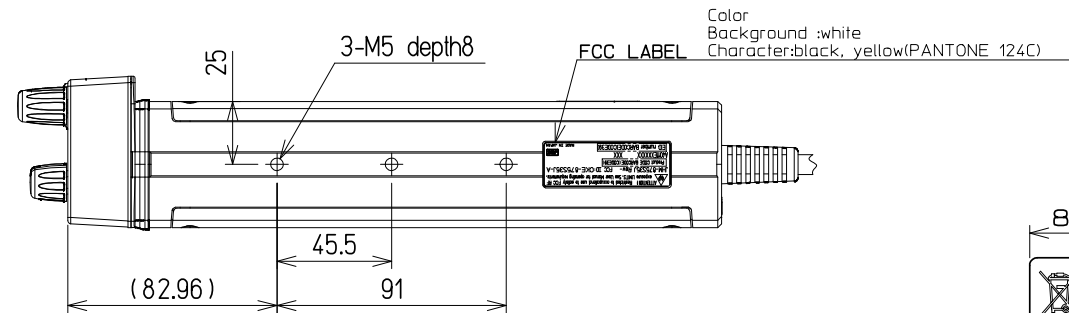
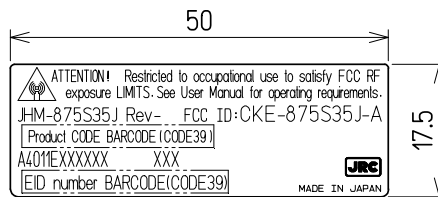
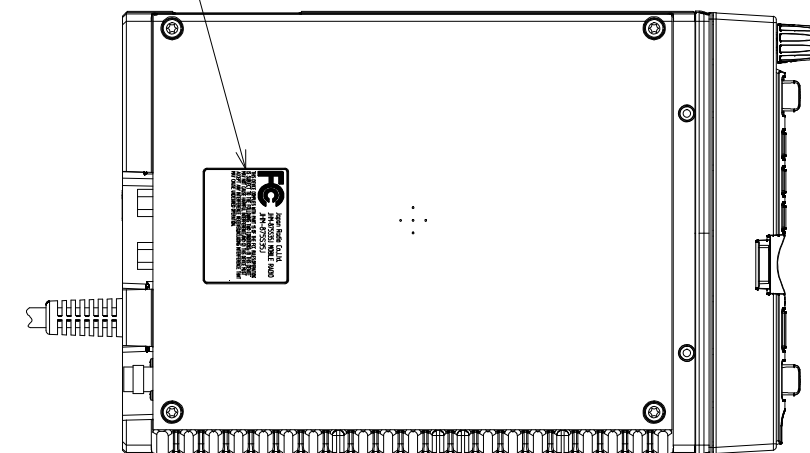
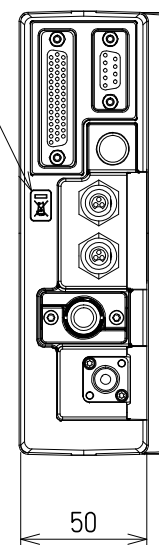
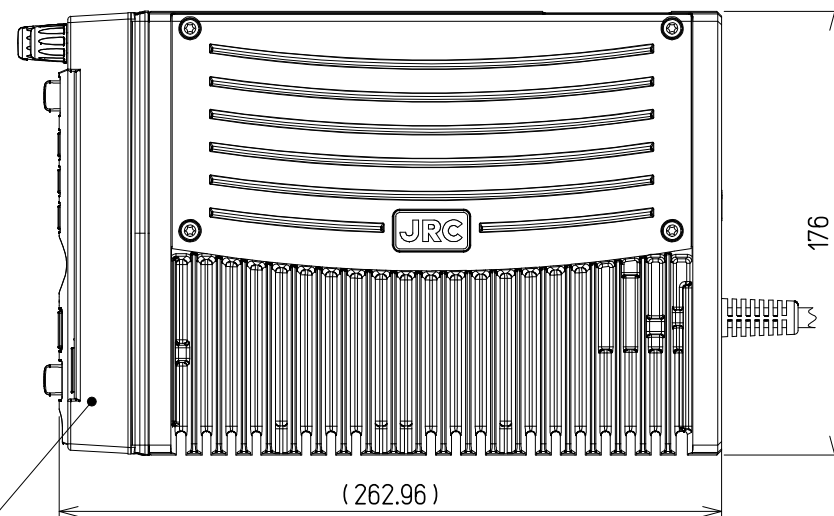
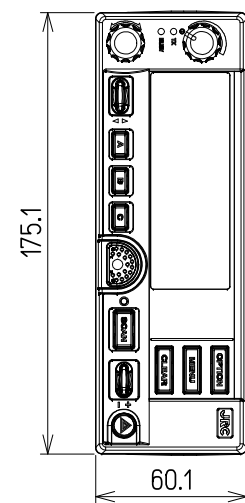


OUTLINE DIMENSIONS		PERMISSIBLE DIMENSIONAL DEVIATIONS
OVER	TO	
0	30	±1
30	120	±1.5
120	400	±2.5
400	1000	±4

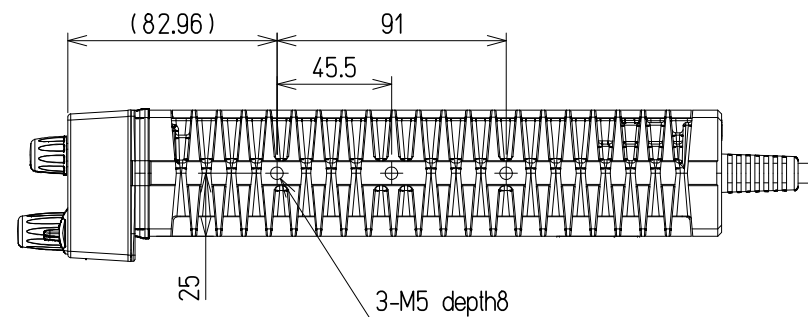


Color Background :Silver Character:black

Color Background :white Character:black



※CONTROL UNIT reference with sheet NO.2/2



APPLY TO THE RoHS INSTRUCTION

CHECKED T.Kura	APPROVED M.Ikeda	DATE 9 JAN '09	Local Type MOBILE RADIO	TITLE	SHEET NO. 1/2
	DESIGNED T.Hirasawa	SCALE 1:3	SoNY Outline Drawing		
A3			DRAWING NO.		
JRC Japan Radio Co., Ltd.			SCJHM5033		