

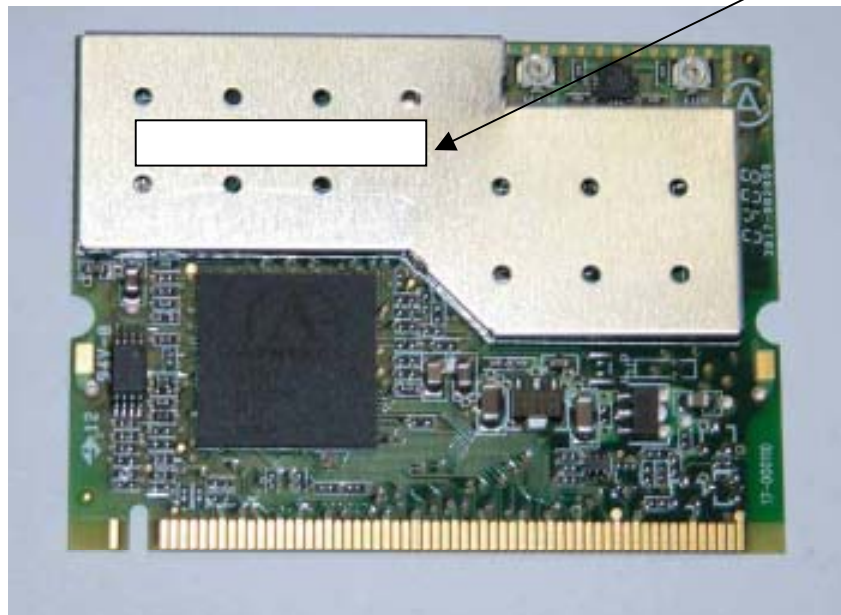
PROPOSED FCC ID LABEL AND LOCATION

**TOSHIBA CORPORATION DIGITAL MEDIA
NETWORK COMPANY**

FCC ID: CJ6UPA3374WL

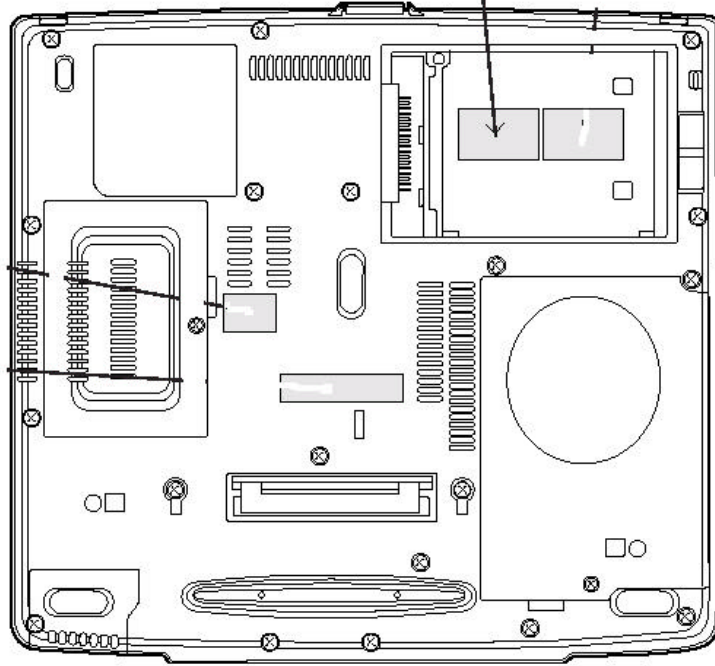
This device complies with Part 15 of the FCC Rules. Operation is subject to the following two conditions: (1) this device may not cause harmful interference, and (2) this device must accept any interference received, including interference that may cause undesired operation.

FCC ID LABEL
LOCATION




Bottom side view

Regulatory Label



Label positions

Regulatory Label of Wireless LAN on bottom of PC

PA3374U-1MPG	Contains radio device AR5BMB-44
Contains FCC ID:GJ6UPA3374WL	2.4DSOF4
Contains IC:248H-DPA3374W	
CE 0336	
WiFi[®]	
CERTIFIED	