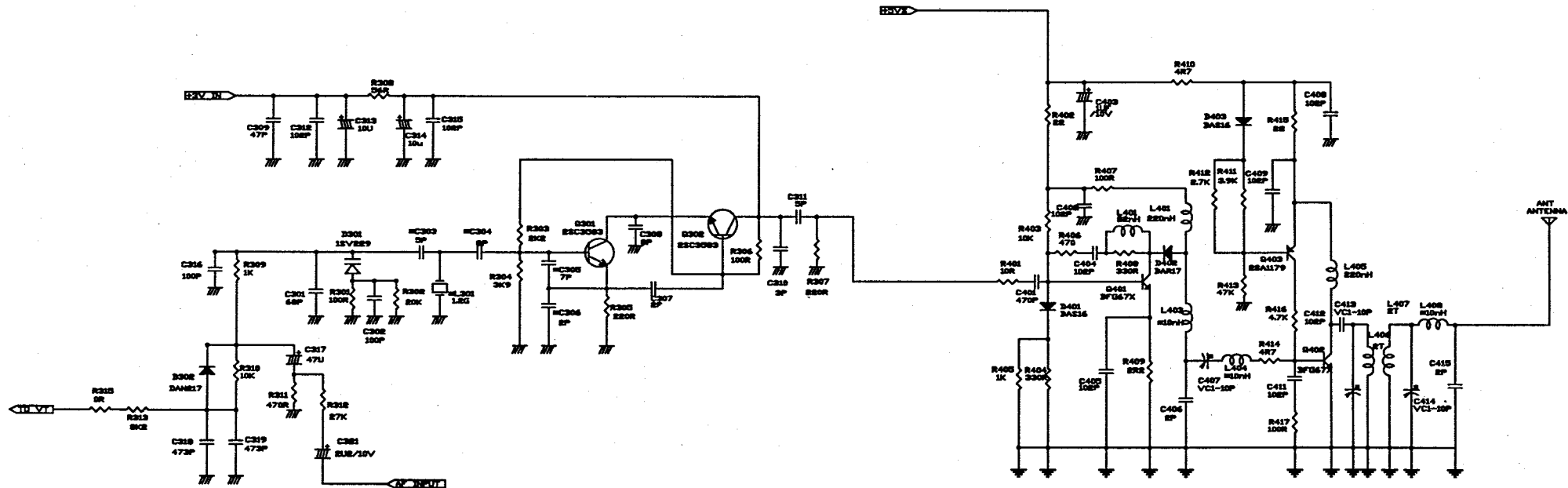
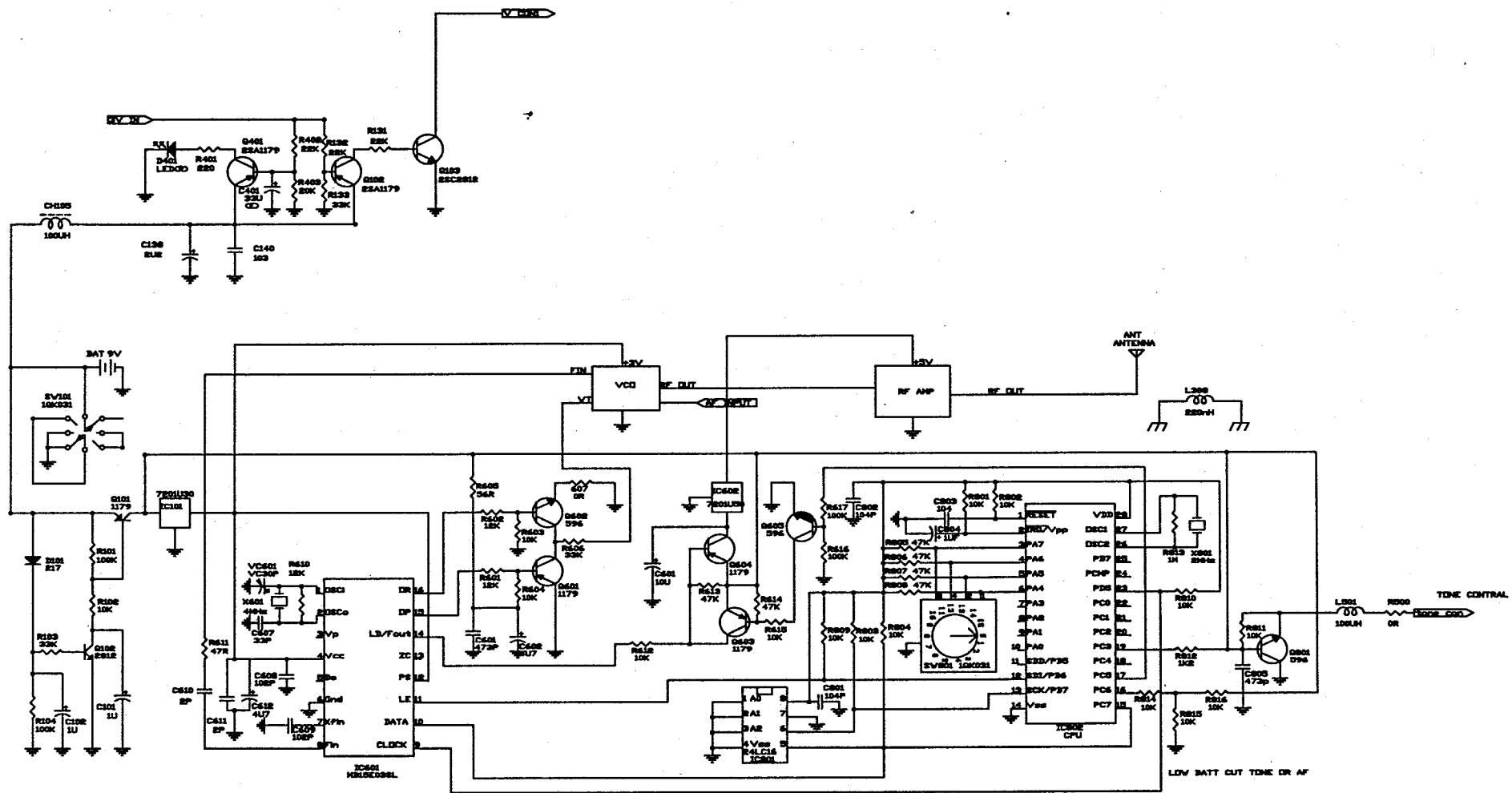


CO., LTD	CHIAYO	DRAWING NO.	SQ916AF	DESCRIPTION	CIRCUIT	MATERIAL	DRAWING	TOLERANCE	BOUNDARY	1-4	4-16	16-63	63-250	250-1000	1000~
MODEL	SQ916-SDX	COMPUTER NO.	SQ1916AF	DATE	07.15.2002	QUANTITY	---		ALLOWANCE	±0.05	±0.07	±0.1	±0.2	±0.3	±0.5
REVISION	A	DRAWN	S.C.TANG	APPROVED	S.C.TANG	WORKS	DRAWING								
						UNIT	mm	SCALE	1:1	CHIAYO ELECTRONICS CO.,LTD.					



CO., LTD	CHIAYO	DRAWING NO.	SQ916RF	DESCRIPTION	RF	MATERIAL	DRAWING	TOLERANCE	BOUNDARY	1-4	4-16	16-63	63-250	250-1000	1000~
MODEL	SQ-916-SDX	COMPUTER NO.	SQ916RF	DATE	07.12.2002	QUANTITY	---		ALLOWANCE	±0.05	±0.07	±0.1	±0.2	±0.3	±0.5
REVISION	A	DRAWN	S.C.TANG	APPROVED	S.C.TANG	WORKS	DRAWING								
						UNIT	mm	SCALE	1:1	CHIAYO ELECTRONICS CO.,LTD.					



CO., LTD	CHIAYO	DRAWING NO.	SQ916-SDX CPU	DESCRIPTION	CIRCUIT	MATERIAL QUANTITY	DRAWING	TOLERANCE	BOUNDARY	1-4	4-16	16-63	63-250	250-1000	1000~
MODEL	SQ916-SDX	COMPUTER NO.	SQ916SRF	DATE	07.01.2002	WORKS	DRAWING		ALLOWANCE	±0.05	±0.07	±0.1	±0.2	±0.3	±0.5
REVERSION	A	DRAWN	S.C.TANG	APPROVED	S.C.TANG	UNIT	mm	SCALE	1:1	CHIAYO ELECTRONICS CO.,LTD.					