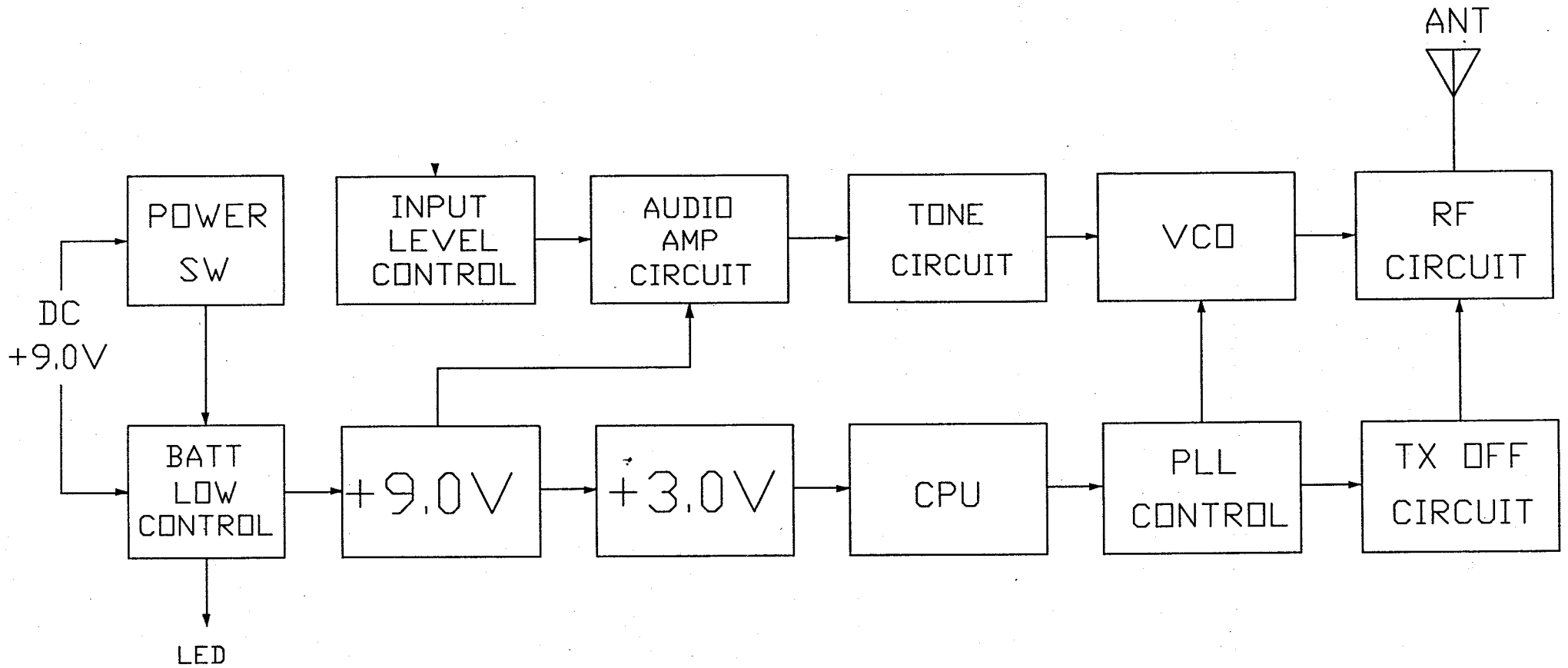


# SQ-916 SDX

# BLOCK DIAGRAM



CO., LTD	CHIAYO	DRAWING NO.		DESCRIPTION	BLOCK DIAGRAM	MATERIAL QUANTITY	DRAWING	TOLERANCE	BOUNDARY	1-4	4-16	16-63	63-250	250-1000	1000~
MODEL	SQ-916 SDX	COMPUTER NO.		DATE	07.01.2002	WORKS	DRAWING		ALLOWANCE	±0.05	±0.07	±0.1	±0.2	±0.3	±0.5
REVISION	A	DRAWN	S.C.TANG	APPROVED	S.C.TANG	UNIT	mm	SCALE	1:1						