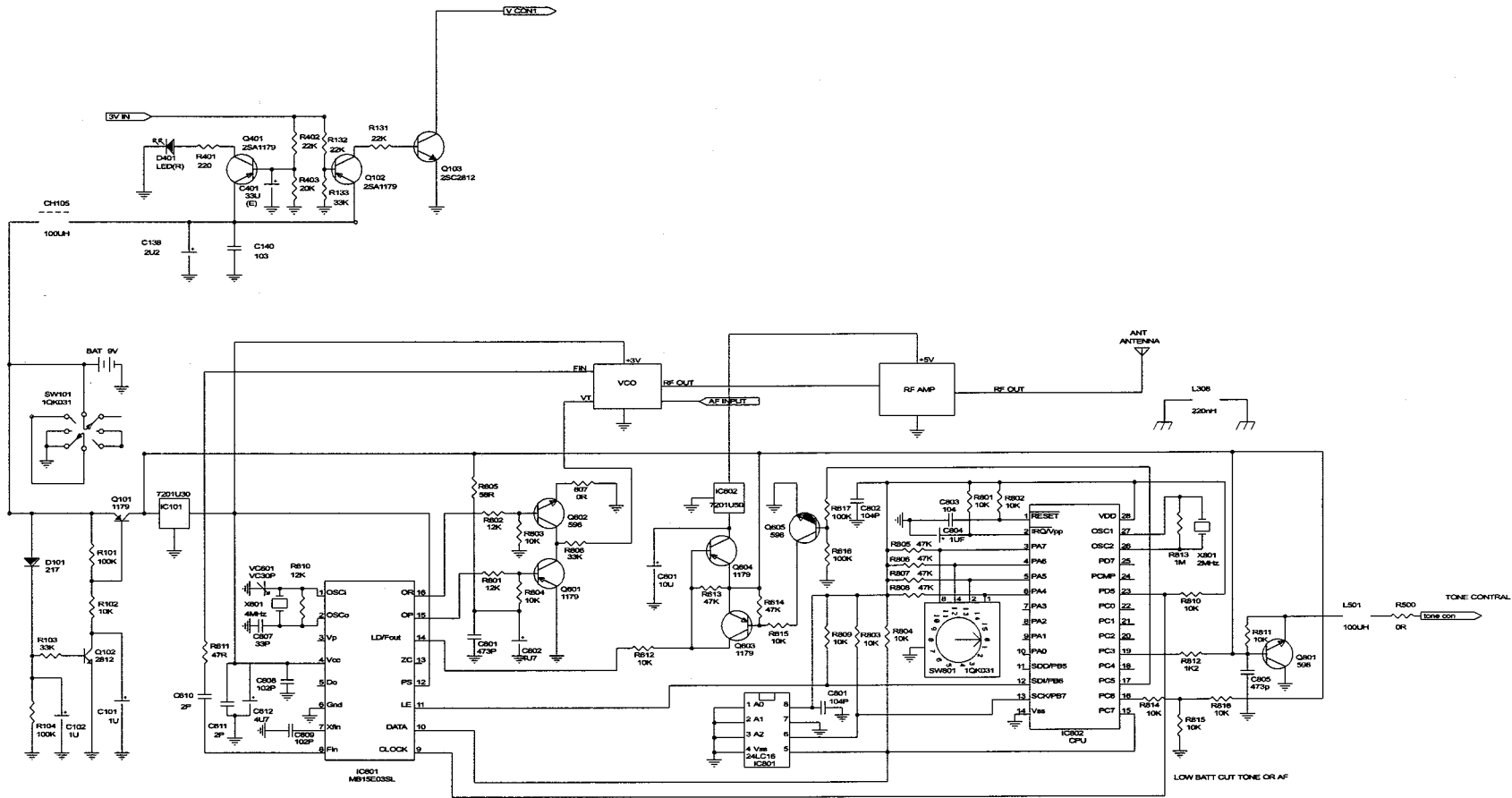
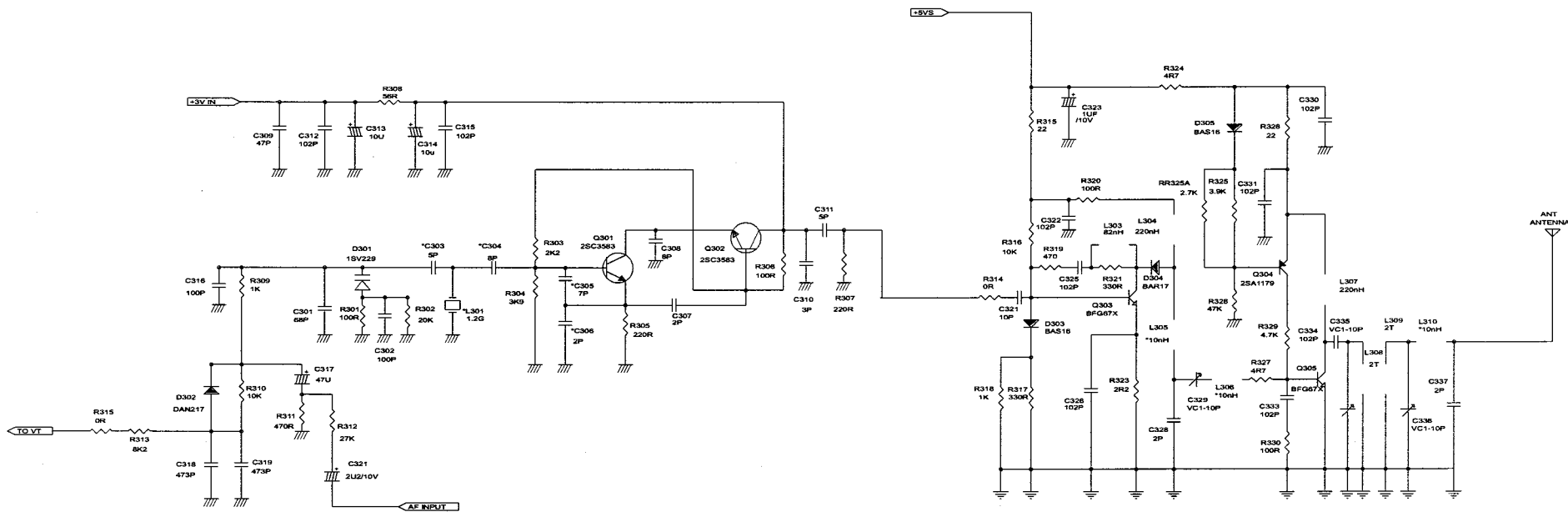


CO.,LTD	CHIAYO	DRAWING NO.		DESCRIPTION	CIRCUIT	MATERIAL	DRAWING	TOLERANCE	BOUNDARY	1-4	4-16	16-63	63-250	250-1000	1000~
MODEL	SM-916	COMPUTER NO.	3PTM76	DATE	07.15.2002	QUANTITY	--		ALLOWANCE	0.05	0.07	0.1	0.2	0.3	0.5
REVERSION	A	DRAWN	S.C.TANG	APPROVED	S.C.TANG	WORKS	1PTM76		UNIT	mm	SCALE				



CO.,LTD	CHIAYO	DRAWING NO.		DESCRIPTION	CIRCUIT	MATERIAL	DRAWING	TOLERANCE	BOUNDARY	1-4	4-16	16-63	63-250	250-1000	1000~
MODEL	SM-916	COMPUTER NO.	3PTM76	DATE	07.01.2002	QUANTITY	--		ALLOWANCE	0.05	0.07	0.1	0.2	0.3	0.5
REVERSION	A	DRAWN	S.C.TANG	APPROVED	S.C.TANG	UNIT	mm	SCALE	CHIAYO ELECTRONICS CO.,LTD.						



CO., LTD	CHIAYO	DRAWING NO.		DESCRIPTION	CIRCUIT	MATERIAL	DRAWING	TOLERANCE	BOUNDARY	1-4	4-16	16-63	63-250	250-1000	1000~
MODEL	SM-916	COMPUTER NO.	3PTM76	DATE	07.02.2002	QUANTITY	--		ALLOWANCE	0.05	0.07	0.1	0.2	0.3	0.5
REVERSION	A	DRAWN	S.C.TANG	APPROVED	S.C.TANG	UNIT	mm	SCALE	CHIAYO ELECTRONICS CO.,LTD.						