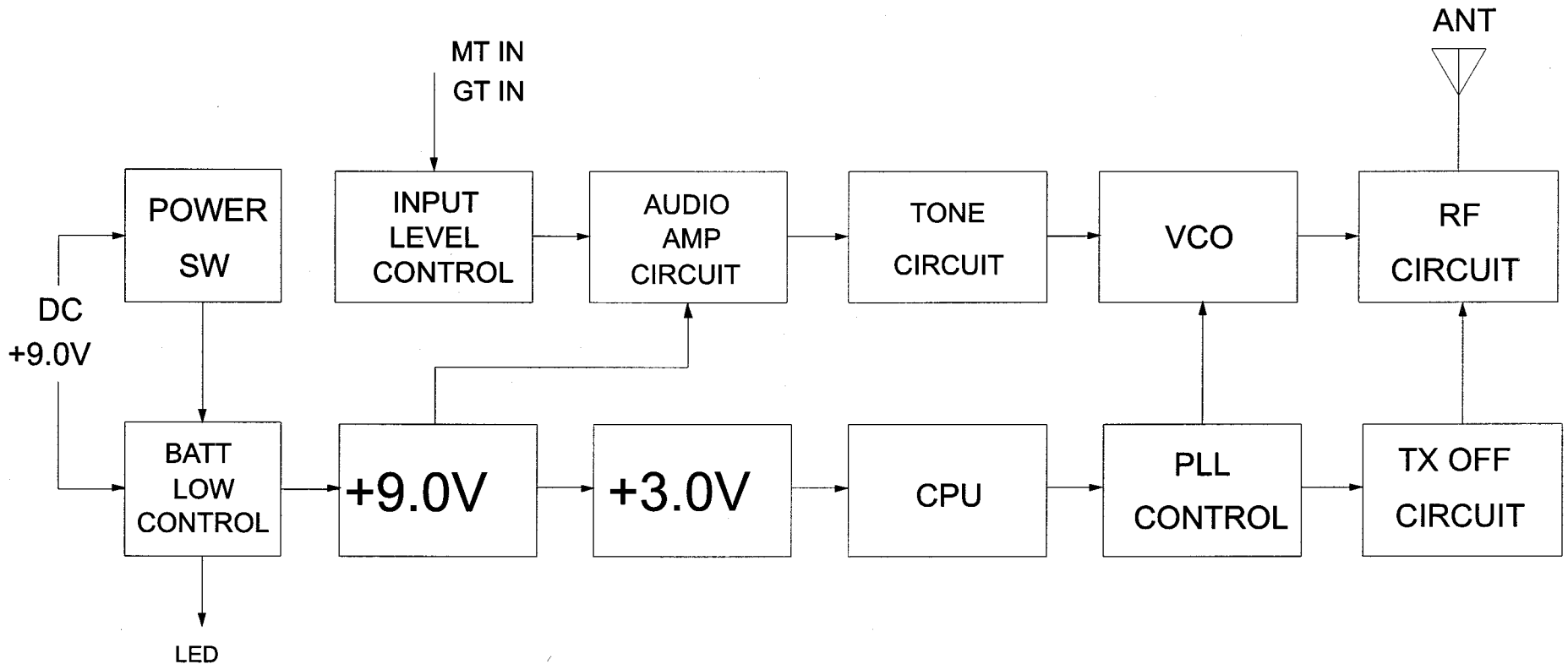


# SM-916

# BLOCK DIAGRAM



CO., LTD	CHIAYO	DRAWING NO.		DESCRIPTION	BLOCK DIAGRAM	MATERIAL	DRAWING	TOLERANCE	BOUNDARY	1-4	4-16	16-63	63-250	250-1000	1000~
MODEL	SM-916	COMPUTER NO.		DATE	07.25.2002	QUANTITY	-		ALLOWANCE	0 .05	0 .07	0 .1	0 .2	0 .3	0 .5
REVERSION	A	DRAWN	S.C.TANG	APPROVED	S.C.TANG	WORKS	DRAWING								
						UNIT	mm	SCALE	CHIAYO ELECTRONICS CO.,LTD.						