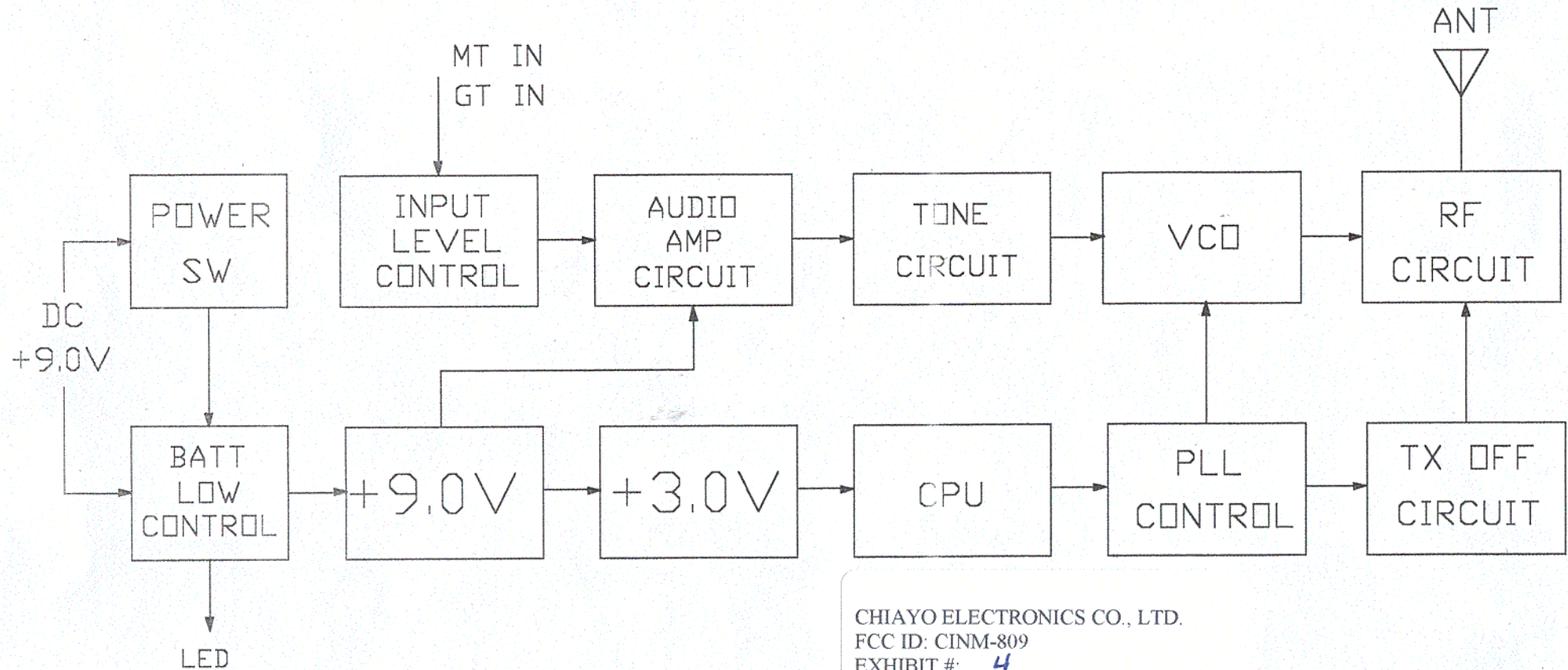


M-809 BLOCK DIAGRAM



CHIAYO ELECTRONICS CO., LTD.
 FCC ID: CINM-809
 EXHIBIT #: 4

CO., LTD	CHIAYO	DRAWING NO.	01400101	DESCRIPTION	BLOCK DIAGRAM	MATERIAL	DRAWING	TOLERANCE	BOUNDARY	1-4	4-16	16-63	63-250	250-1000	1000~
MODEL	M-809	COMPUTER NO.		DATE	12.29.1999	QUANTITY	---		ALLOWANCE	±0.05	±0.07	±0.1	±0.2	±0.3	±0.5
REVISION	A	DRAWN	S.C.TANG	APPROVED	S.C.TANG	WORKS	DRAWING	UNIT	mm	SCALE	1:1	CHIAYO ELECTRONICS CO., LTD.			