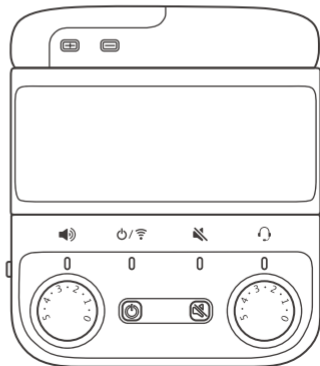


MAIN
SOUND

Instruction Manual

Full Duplex Streaming
Wireless Microphone



IN style

INDEX

Product

Specifications	01
Parts and functions	02
Indicators	03

Recording

Operation	06
Installation	07
Modes	09

Noise reduction

Noise reduction	16
-----------------------	----

Charging

Charging	17
----------------	----

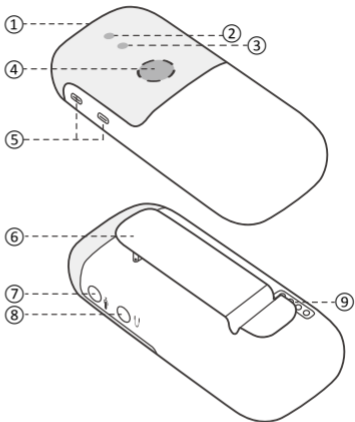
Product**SPECIFICATIONS**

	Receiver	Transmitter	Charger
Dimensions	70 x 34.5 x 26 mm	70 x 30 x 17.5 mm	70 x 66 x 33 mm
Weight	41 g	32 g	69 g
Operation time	10 hours	8 hours	-
Charging time	3 hours	3 hours	2 hours
Max output	1.5 dBV	-22 dBV	-
Features	Noise reduction 0 dB / -3 dB / -6 dB @300 Hz	RF power: 10 mW Built in omni-directional mic	OLED

System

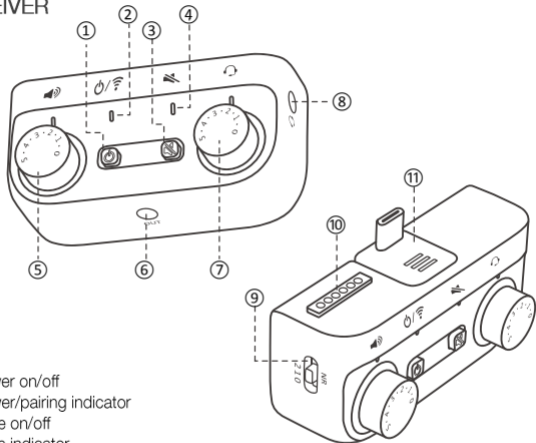
Frequency Range	2.4G ISM band	Frequency Response	50 Hz - 18 KHz
Transmission mode	One way / duplex	Dynamic Range	90 dB(A)
S/N Ratio	80 dBA weighted @ 1 KHz - 30 dBV	Latency	5ms
T.H.D.	< 0.5%	Receiving distance	50 meters (line of sight)

TRANSMITTER



- ① Built in microphone
- ② Signal indicator
- ③ Power indicator
- ④ Power on/off
- ⑤ External earphone volume control
- ⑥ Clip
- ⑦ External microphone jack
- ⑧ Headphone jack
- ⑨ Charging contact

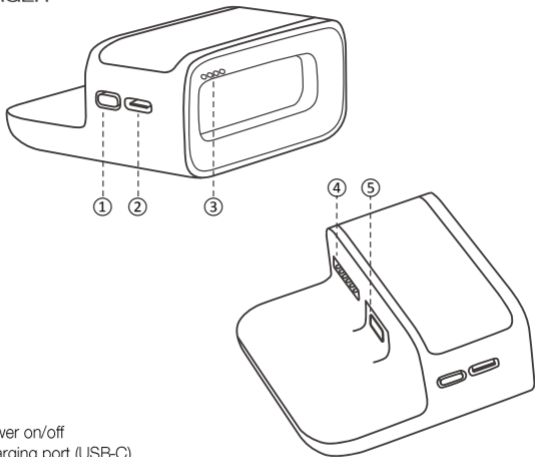
Product
RECEIVER



- ① Power on/off
- ② Power/pairing indicator
- ③ Mute on/off
- ④ Mute indicator
- ⑤ Audio output volume control
- ⑥ Audio output jack
- ⑦ Volume control of earphone with mic
- ⑧ Earphone with mic jack





- ⑨ 3-step noise reduction switch
- ⑩ Charging contact
- ⑪ USB-C adapter

CHARGER



- ① Power on/off
- ② Charging port (USB-C)
- ③ Transmitter charging contact
- ④ Receiver charging contact
- ⑤ Receiver adapter jack

Product
INDICATOR

TRANSMITTER				
Signal	Duplex (transmitting + receiving)	One-way (transmitting)		
	Solid RED	OFF		
Power	Standby	Low Battery	Charging	
	Solid BLUE	Solid RED	Flashing RED	
RECEIVER				
Power / pair	Paired	Not Paired	Low Battery	Charging
	Solid BLUE	Flashing BLUE	Solid RED	Flashing RED
Mute	Muted		Not Muted	
	Flashing GREEN		OFF	

RECORDING INSTRUCTIONS

Please refer to page 7

STEP 1

INSTALL
RECEIVER

Install the receiver on any compatible device:

Phone, Camera, Tablet, Laptop

Please refer to page 9

STEP 2

RECORDING
MODE

Select one of the four output modes based on your needs.

GENERAL, MONITOR, HOST and DIRECTOR modes

Please refer to page 16

STEP 3

NOISE
REDUCTION

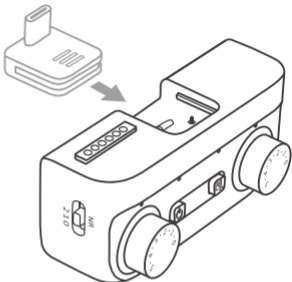
Depending on the recording environment, the receiver has three levels of noise reduction.

No reduction (0)
Mid-level reduction (1)
High-level reduction -(2)

RECEIVER INSTALLATION

STEP 1

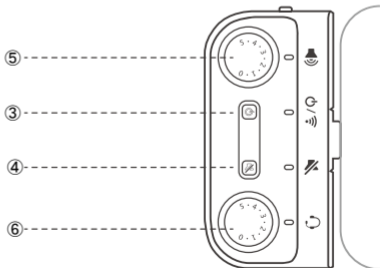
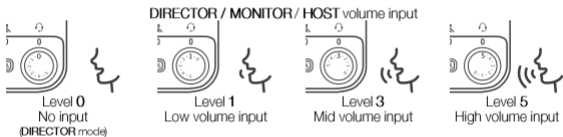
- ① Connect USB-C adapter to the receiver.
- ② Attach the receiver into USB-C port of the phone.



NOTE:

- * Compatibility may differ between Android phones of different brands. When there is no built-in audio recording software or it can not record audio normally, another audio recording software is required to enable the USB-C port of the external microphone.
- * When the phone has inputs of both USB-C and 3.5mm TRRS earphone with mic, and the USB-C does not support normal audio recording, please connect the receiver to the 3.5mm TRRS port with attached audio cable.

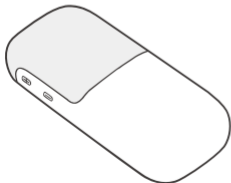
- ③ Press the power button to turn on the receiver.
- ④ Press the mute button to stop recording. Press again to continue.
- ⑤ Set the audio input level in the recording device to control the recorded audio volume. Please be advised that excessive levels may cause feedback noise.
- ⑥ Adjust the microphone level of the director/monitor/host to determine the recorded volume on the receiving end. The higher the number, the higher the volume input being recorded.



Recording MODE

STEP 2

Set up the receiver according to the recording environment. Turn on the transmitter and pair with the receiver and it's ready to start recording.



GENERAL MODE
(One way + single recording)
P12

MONITOR MODE
(One way + single recording)
P13

HOST MODE
(One way + dual recording)
P14

DIRECTOR MODE
(duplex + single recording)
P15

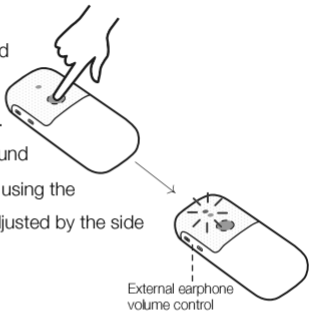
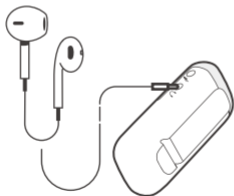
TRANSMITTER INSTALLATION

- ① Press and hold the power button to turn on the transmitter. Hold 3 seconds to turn it off.
- ② A lavalier or headset microphone can be used to replace the built-in microphone if necessary.



Recording

- ③ Hold the power button 1 second until the LED turns RED, the duplex function is then enabled.
- ④ Under the duplex mode, the sound of the receiver can be heard by using the earphone. Its volume can be adjusted by the side buttons + - .

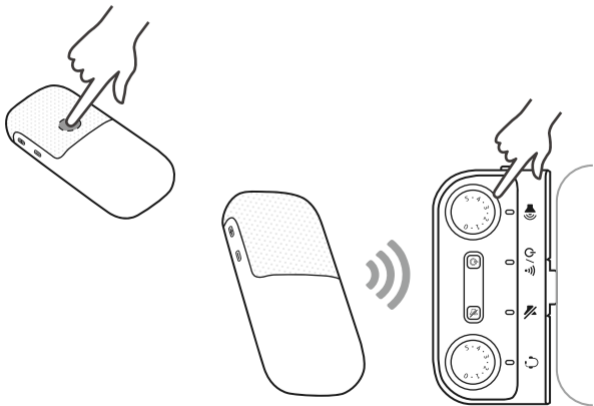


- ⑤ Hold the power button 1 second again until the red LED extinguishes, the duplex mode is then disabled.

GENERAL MODE

One way + single recording

Only the voice of the transmitter will be recorded.

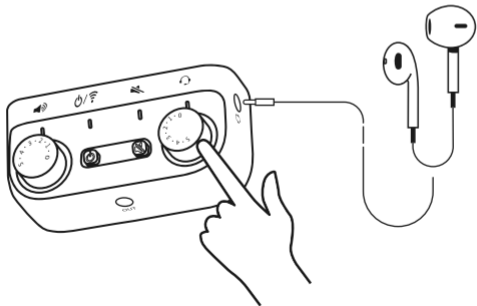


Recording

MONITOR MODE

One way + single recording

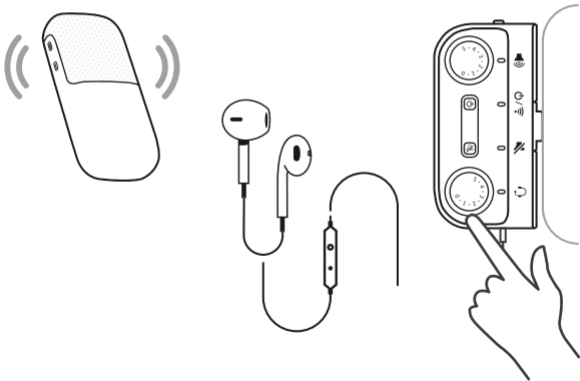
Connect the earphone with mic to the receiver and set the microphone volume (right) to "0", then the recording condition can be monitored.



HOST MODE

One way + dual recording

Connect the earphone with mic to the receiver and adjust the microphone volume (right) to determine the recorded volume on the receiving end.



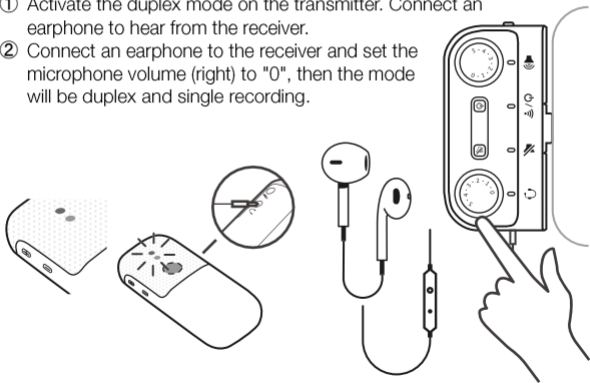
Recording

Director Mode

duplex + single recording

Connect the earphone with mic to the receiver. The voice of the transmitter can be heard and the sound of the microphone can go to the transmitter as well.

- ① Activate the duplex mode on the transmitter. Connect an earphone to hear from the receiver.
- ② Connect an earphone to the receiver and set the microphone volume (right) to "0", then the mode will be duplex and single recording.



NOISE REDUCTION

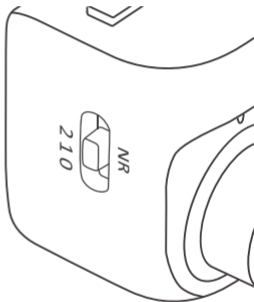
The receiver's 3-step noise reduction can eliminate unwanted wind and/or background noise.

STEP 3

0: No reduction

1: Mid-level reduction

2: High-level reduction



NOISE REDUCTION

0→Noise reduction performed by the transmitter's acoustic fabric.

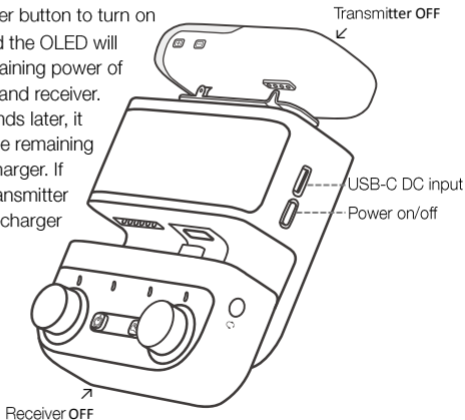
1→Mid-level reduction

2→High-level reduction








CHARGING

- ① Turn OFF both the transmitter and receiver before assembly.
- ② **A: Storage only:** Keep the charger power OFF.
B: Both storage and charging: Turn ON the charger.
- ③ Press the power button to turn on

the charger and the OLED will display the remaining power of the transmitter and receiver. About 30 seconds later, it only displays the remaining power of the charger. If detecting no transmitter or receiver, the charger will shut down automatically.



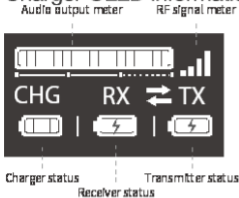
- ④ If the transmitter and/or receiver battery runs low, the charger unit can be used to recharge them one time from the built-in battery when there is no DC power connection available. To fully charge them takes about three hours at which point the charger will shut down.
- ⑤ When the charger is connected via the USB-C input, all 3 items will charge simultaneously. It takes about 5 hours to fully charge, during which the lightning indicator will show in the battery icons. When fully charged the charger will shut down automatically.
- ⑥ Charging time overview

Charging port disconnected			Charging time
Charger	Transmitter	Receiver	3 hours
Full 	Low 	Low 	
Charging port connected			Charging time
Charger	Transmitter	Receiver	5 hours
Low 	Low 	Low 	
Charging port connected			Charging time
Charger	null		2 hours
Low 			

- ⑦ If the charger's battery low icon keeps flashing, please connect it to DC. Otherwise it will automatically shut down to protect its built-in battery.

Charging

Charger OLED information



Charging indicator	Transmission indicator
 Full	 Duplex
 Charging	 One way

Press and hold the power button for 3 seconds to turn off. When assembling with the transmitter / receiver, the transmitter / receiver's RED turns off after one minute. If the transmitter / receiver turns BLUE after shutdown, please restart the charger and turn it off, or turn off the transmitter / receiver.

The transmitter / receiver flashes RED during charging and the LED automatically extinguishes when fully charged.



This equipment has been tested and found to comply with the limits for a Class B digital device, pursuant to Part 15 of the FCC Rules. These limits are designed to provide reasonable protection against harmful interference in a residential installation.

This equipment generates, uses and can radiate radio frequency energy and, if not installed and used in accordance with the instructions, may cause harmful interference to radio communications.

However, there is no guarantee that interference will not occur in a particular installation. If this equipment does cause harmful interference to radio or television reception, which can be determined by turning the equipment off and on, the user is encouraged to try to correct the interference by one of the following measures:

- Reorient or relocate the receiving antenna.
- Increase the separation between the equipment and receiver.
- Connect the equipment into an outlet on a circuit different from that to which the receiver is connected.
- Consult the dealer or an experienced radio/TV technician for help.

FCC Caution: To assure continued compliance, any changes or modifications not expressly approved by the party responsible for compliance could void the user's authority to operate this equipment.

(Example - use only shielded interface cables when connecting to computer or peripheral devices).

FCC Radiation Exposure Statement

This equipment complies with FCC RF radiation exposure limits set forth for an uncontrolled environment. This equipment should be installed and operated with a minimum distance of 0.5 centimeters between the radiator and your body.

This transmitter must not be co-located or operating in conjunction with any other antenna or transmitter.

The antennas used for this transmitter must be installed to provide a separation distance of at least 0.5 cm from all persons and must not be co-located or operating in conjunction with any other antenna or transmitter.

This device complies with Part 15 of the FCC Rules. Operation is subject to the following two conditions:

- (1). This device may not cause harmful interference, and
- (2). This device must accept any interference received, including interference that may cause undesired operation

CE Frequency: 2402~2480MHz , Maximal power: 10 Mw

MAIIN
SOUND

No. 30, Lane 27, Section 4, Jen-Ai Road, Taipei 10685, Taiwan
TEL: 886-2-2741-5741

© 2022 MAIIN SOUND All rights reserved.

<http://www.maiinsound.com>

1211516