

Turning Mechanism

- 8 Two versions of turning mechanism are used:
- (1) Low Speed (CAE-A30-6), which employs a 24V DC motor and rotates the antenna at 24 rpm. The Transceiver Power Supply switch SW2 is set to ON to provide a +26V output to the motor.
 - (2) High Speed (CAE-A30-5), which employs a 36V brushless DC motor, and rotates the antenna at 40 rpm. The Transceiver Power Supply SW2 is set to OFF to provide a +36V output to the motor.

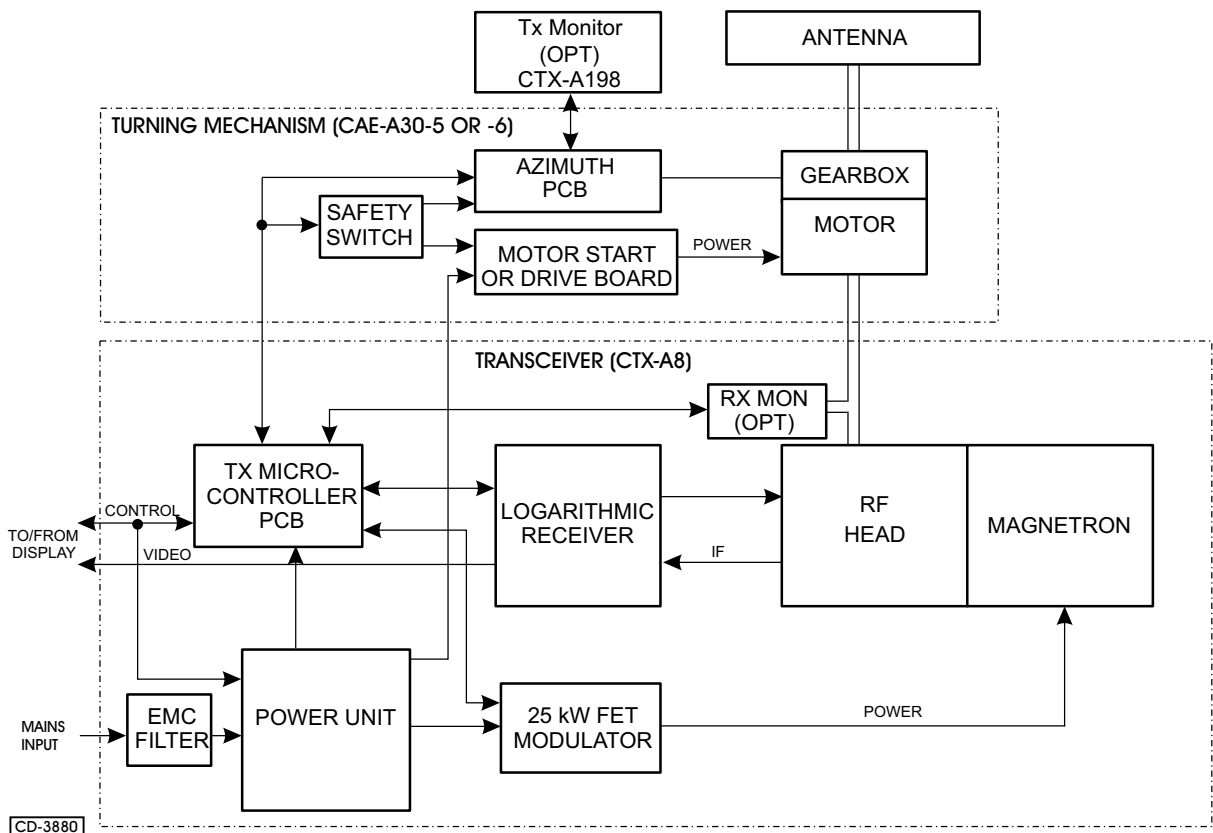


Figure 1 - System Block Diagram