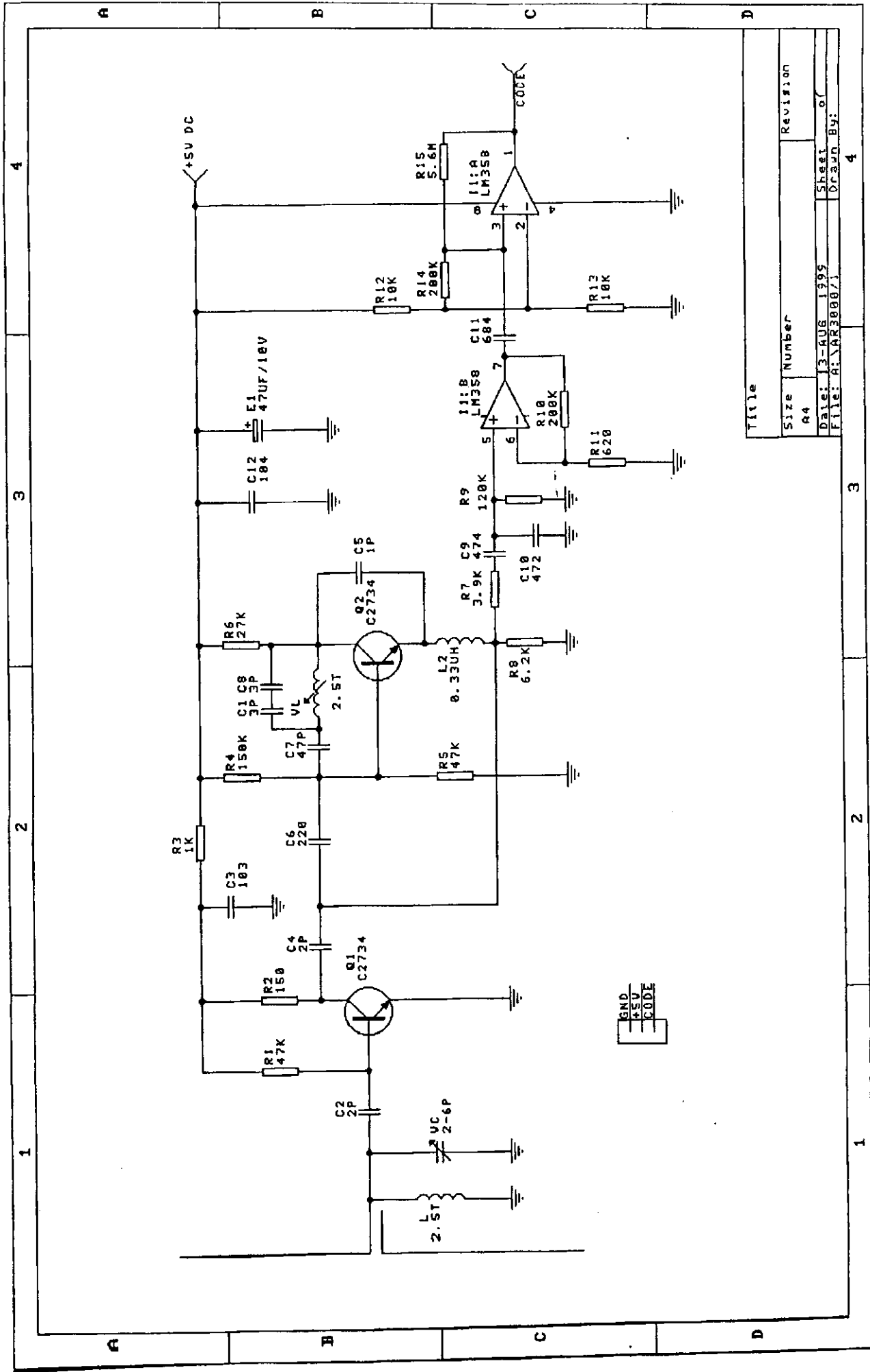


Circuit Diagram



GND
 +5V
 CODE

Title	
Size	Revision
A4	
Date: 13-AUG-1995	Sheet 0
File: A:\AR3000/1	Dr:SD By:

4

3

2

1

A

B

C

D

A

B

C

D

3

2

1

4

