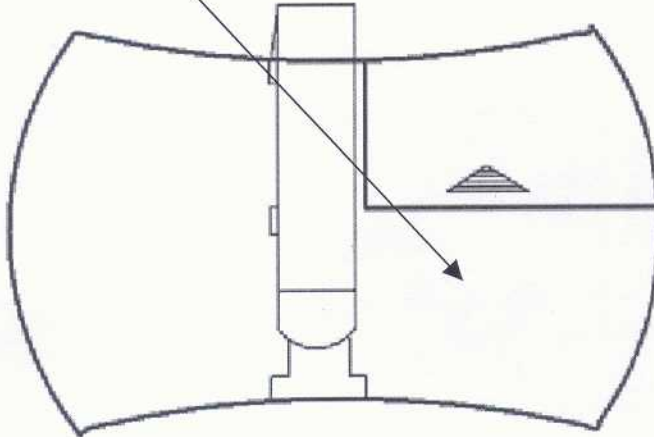


*Model:GTXE
FCC ID:CHQGTXE
Frequency:390MHz
IC:XXXXXX-GTXE
Complies with
Canada RSS210
RHINE ELECTRONIC*



The following statement will be shown on user manual:

THIS DEVICE COMPLIES WITH PART 15 OF THE FCC RULES.

OPERATIONS IS SUBJECT TO THE FOLLOWING TWO CONDITIONS: (1)

THIS DEVICE MAY NOT CAUSE HARMFUL INTERFERENCE AND (2)

**THIS DEVICE MUST ACCEPT ANY INTERFERENCE RECEIVED,
INCLUDING INTERFERENCE THAT MAY CAUSE UNDESRIED
OPERATION.**