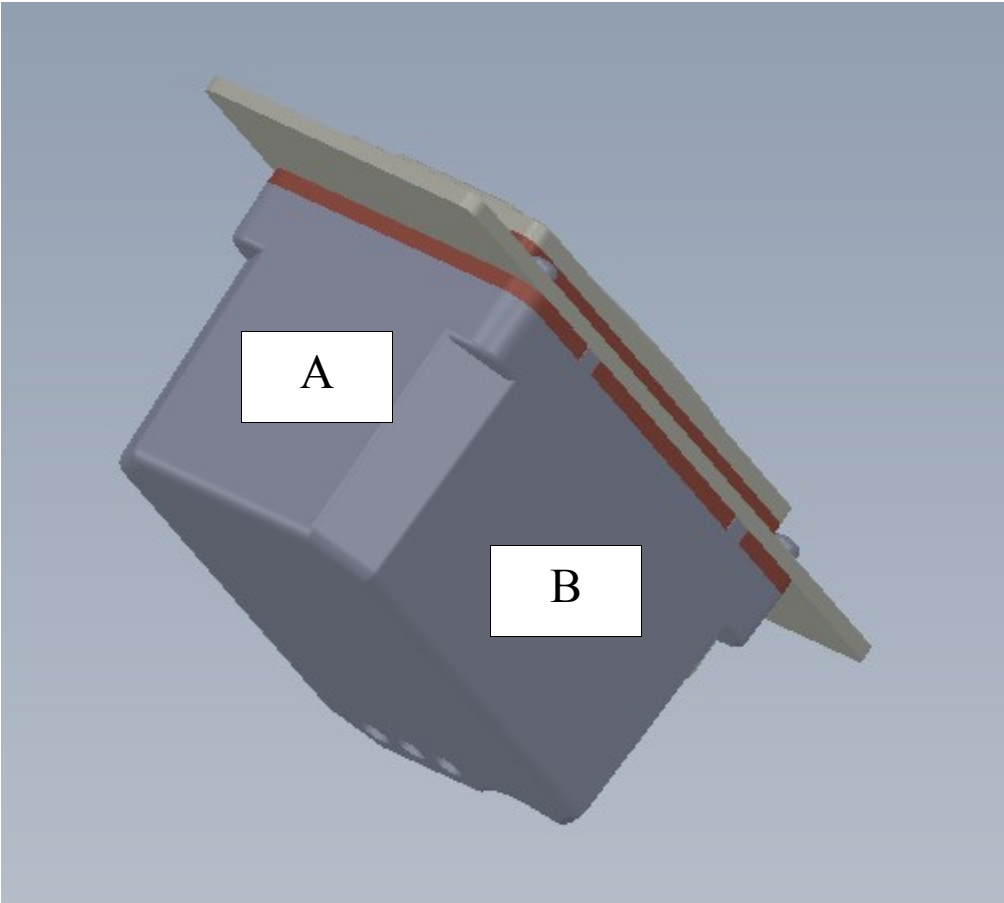

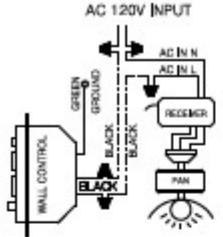


# UC9058T 貼紙位置



|  |  |   |
|--|--|---|
| A  | 88mm X 25mm  | B   |
| <p style="margin: 0;">28mm      10mm      50mm</p> <p>FCC ID : CHQ9058T<br/>IC : 2968A-9058T<br/>Complies with Canada RSS210</p> <p>This device complies with part 15 of the FCC rules. Operation is subject to the following two conditions:<br/>(1) This device may not cause harmful interference and<br/>(2) This device must accept any interference received, including interference that may cause undesired operation.</p> | <p>MODEL : UC9058T</p> <p>This control to be used only with a fan speed control.</p> <p>AC 120V/60Hz<br/>MOTOR :<br/>MAX. 1A<br/>LIGHT :<br/>MAX. 300W OR 300VA</p> <p style="text-align: center;">  </p> <p>RHINE ELECTRONIC CO., LTD.<br/>Made in China</p> | <p style="text-align: center;">AC 120V INPUT</p>  <p style="text-align: center;">C</p> |
| <p>MMYY</p>  |  |   |