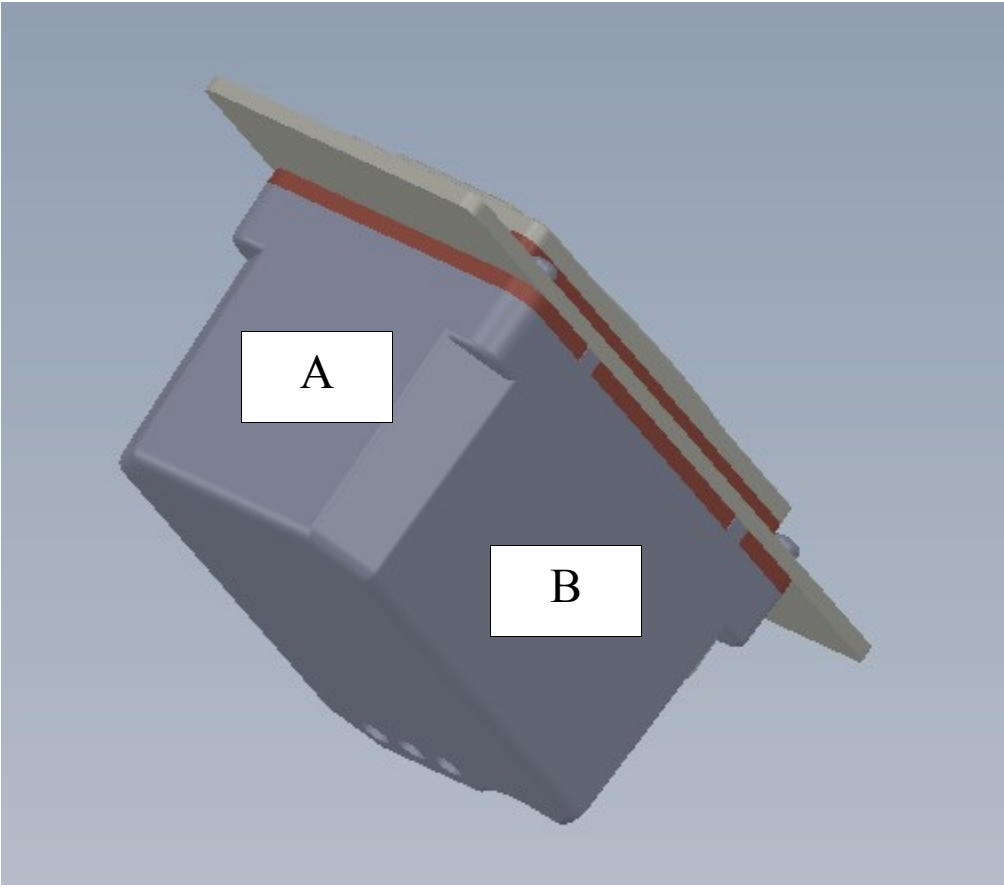



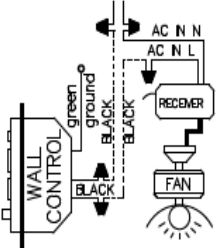
UC9057T 貼紙位置



A

B

88mm X 25mm

<p>FCC ID : CHQ9057T</p> <p>This device complies with part 15 of the FCC rules. Operation is subject to the following two conditions: (1) This device may not cause harmful interference and (2) This device must accept any interference received, including interference that may cause undesired operation.</p>		<p>MODEL : UC9057T</p> <p>This control is to be used only with a fan speed control.</p> <p>AC 120V/60Hz MOTOR : MAX. 1 A LIGHT : MAX. 300 W OR 300 VA</p> <p>  LISTED FAN SPEED CONTROL E181552 8F38 </p> <p>Made in China</p>	<p>AC 120V INPUT</p>  <p>0413 C</p>
--	--	--	--