

## CONSTRUCTED PHOTOS of EUT

### 1. Internal View of EUT

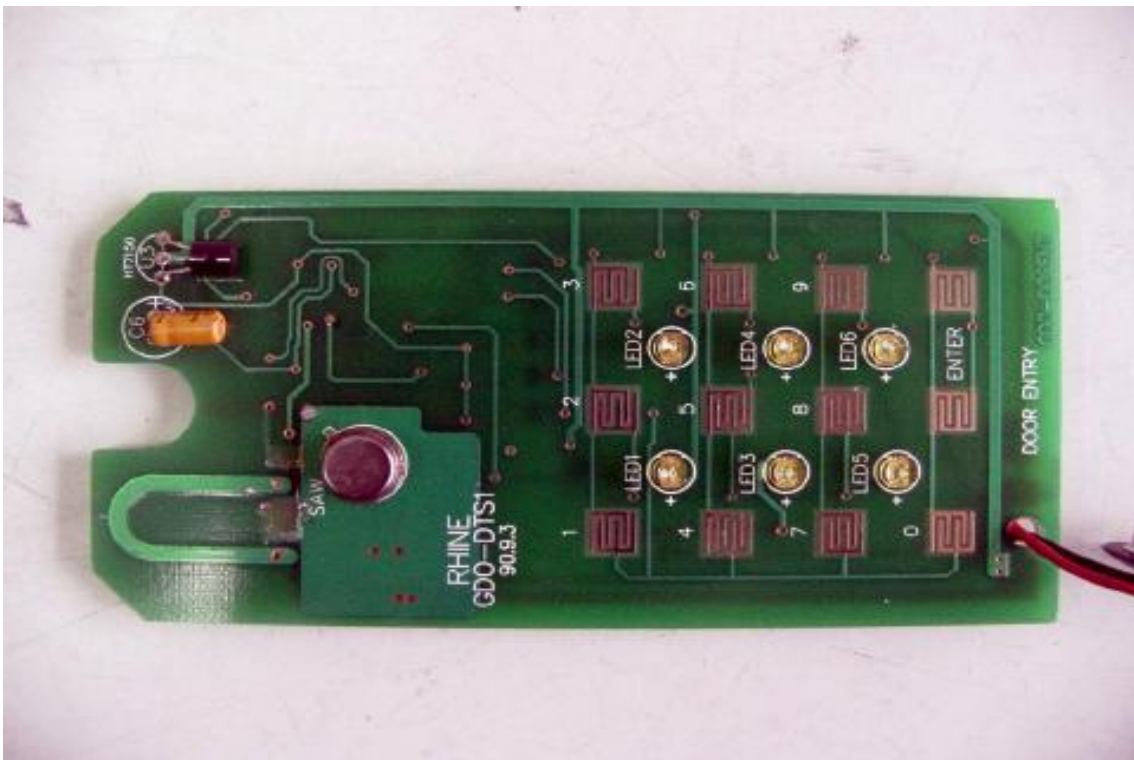


### 2. Internal View of EUT



## CONSTRUCTED PHOTOS of EUT

### 3. Component View of Main PCB



### 4. Solder View of Main PCB

