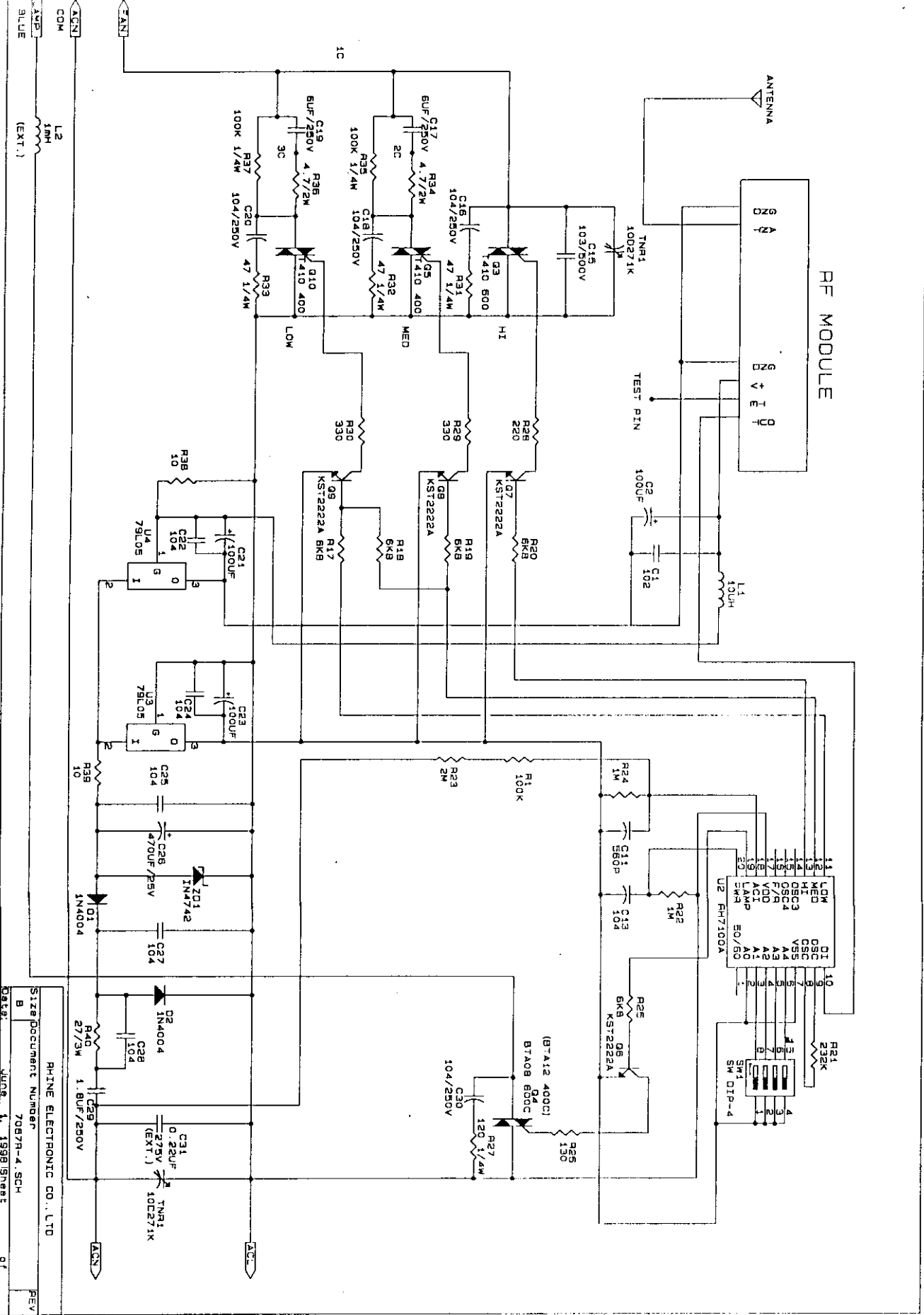
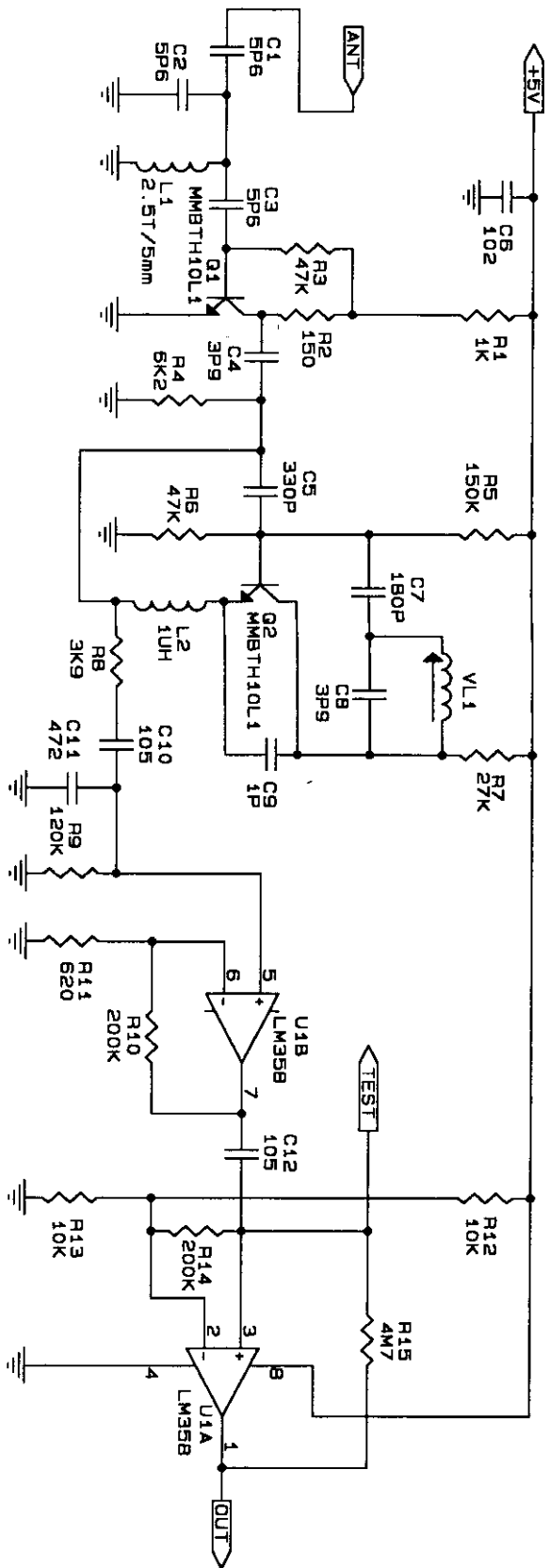


CIRCUIT DIAGRAM

FCC ID. No.: CHQ8BT7067R



RHEIN ELECTRONIC CO., LTD  
 Size Document Number 7087R-4.SCH  
 JUN 1 1998 15:01:58:1  
 REV



Title  
 RHINE ELECTRONIC CO., LTD.

Size Document Number  
 A RFMODULE SCH

Date: May 29, 1998 Sheet of

REV