

# BLOCK DIAGRAM & CIRCUIT DIAGRAM

**RHINE ELECTRONIC CO., LTD.**

FCC ID. No.: CHQ8BT7067R

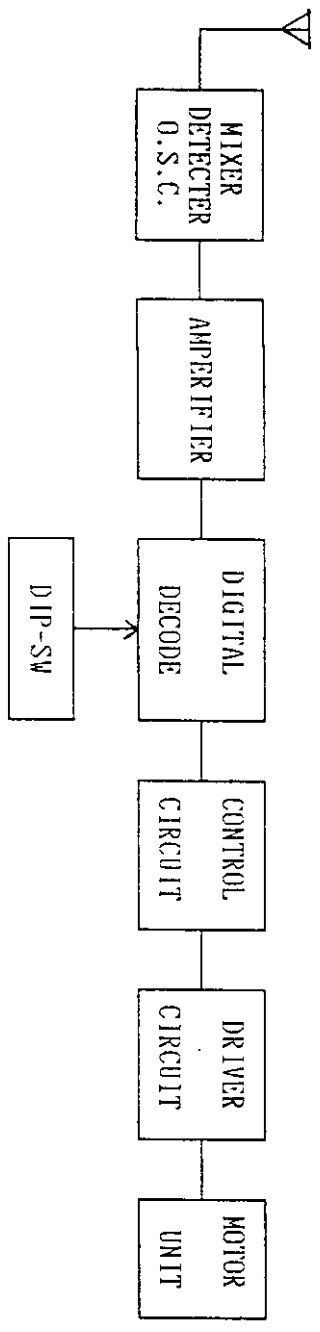
Receiver of Remote Control

BLOCK DIAGRAM

FCC ID. No.: CHQ8BT7067R

RF BLOCK & CONTROL BLOCK DIAGRAM

RECEIVER



TRANSMITTER

