

A

B

C

D

1

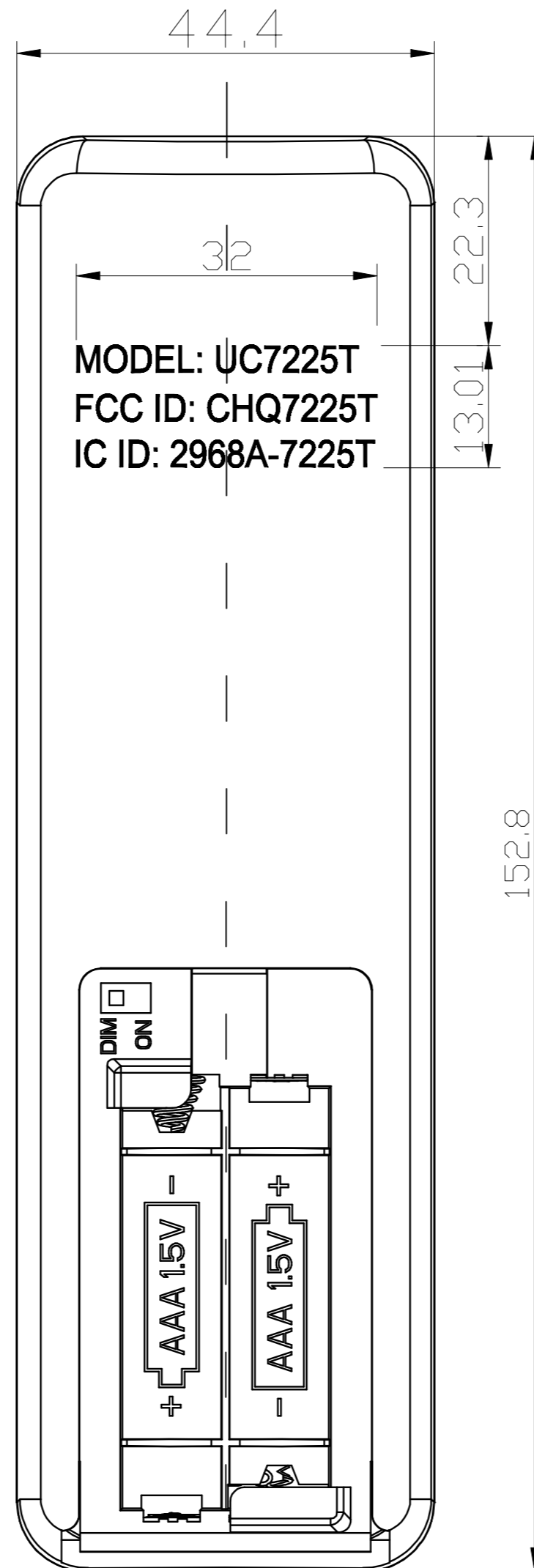
2

3


1

2

3



注释：
1. 印刷颜色：白色

				TOL. U. O. S		 瑞格/锦诚	NAME	DATE	DRAWING TITLE :	
				0.5~6 ——— ±0.1 6~30 ——— ±0.2 30~120 ——— ±0.3 120~315 ——— ±0.5 315~1000 ——— ±0.8			DRAWN BY : CONNOR	2014.07.21	7225后壳印刷 图面	
							CHKD BY :			DRAWING NUMBER:
Number of Modification	Modification Description			Editor	Date	THIRD ANGLE PROJECTION	APPD BY :			UNIT: mm SHEET 1 OF 1