

GENERAL INFORMATION

Model : 7073

This remote control is designed to separately control your light brightness.

The button will control the light ON/OFF

The red indicator on the transmitter will light when the button is pressed

INSTALLATION AND OPERATING INSTRUCTIONS

1. SETTING THE CODE

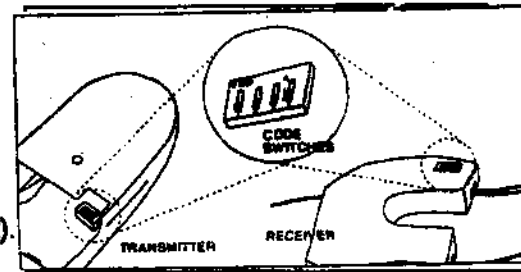
This unit has 16 different code combinations. To set the code, perform these steps:

A. Setting the code on the transmitter:

- Remove battery cover. Press firmly below arrow and slide battery cover off.
- Slide code switches to your choice of up or down position. (Factory setting is all up). Do not use this position. Use a small screwdriver or ball point pen to slide firmly up or down (Figure 1).

B Setting the code on the receiver:

- Slide code switches to the same positions as set on your transmitter (Figure 2).
- Replace battery cover on transmitter.



2. INSTALLING RECEIVER IN LIGHT KIT

A. Safety precautions:

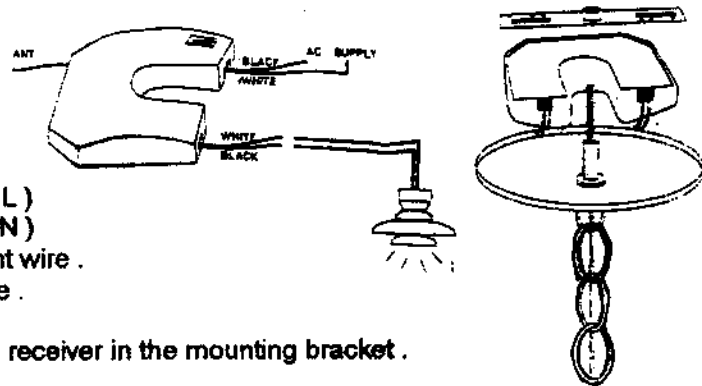
WARNING: HIGH VOLTAGE! Disconnect source of electrical power by removing fuse or switching off circuit breaker.

Electrical wiring must meet all local and National Electrical Code requirements.

Electrical source and must be 115/120 volts, 60 Hz Maximum light watts: 300 incandescent and Halogen Lamp only.

B. Installing receiver in light kit :

- Remove electrical power from the circuit.
- Remove light kit canopy from the mounting bracket.
- Disconnection existing wiring between light kit and supply at Electrical junction box .
- Make connections as follows , using the wire nuts supplied:
Connect BLACK Control Unit wire to BLACK supply wire (AC L)
Connect WHITE Control Unit wire WHITE wire of supply (AC N)
Connect WHITE Control Unit wire (FOR LIGHT) to white light wire .
Connect BLUE Control Unit wire (FOR LIGHT) to light kit wire .
- Push all connected wires up into junction box.
- Lay the black antenna wire on top of the receiver , and put the receiver in the mounting bracket .
- Reinstall the canopy on the mounting bracket .
- Restore electrical power.



3. OPERATING TRANSMITTER:

- Install 9 volt battery (not included). To prevent damage to transmitter, remove the battery if not use for long periods.
- Store the transmitter away from excess heat or humidity.
- This remote control unit is equipped with 16 code combinations .To prevent possible interference from or to other remote units such as garage door openers, car alarm or security system. If you find that your light kit go on and off without using your remote control, simply change the combination code in your transmitter and receiver.
- Operation buttons on the panel of the transmitter.
The light function is controlled by pressing the key.

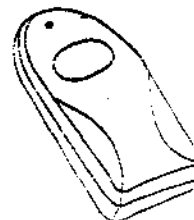
Setting your light kit switch at on position.

YOUR REMOTE NOW HAS FULL CONTROL OF THE LIGHT.

4. TROUBLE SHOOTING GUIDE

- Fails to operate:
 - Power to the receiver?
 - Receiver wired correctly?
 - Light kit switch turned on?
 - Good battery in the transmitter ?
 - Code set at exact same position in both transmitter and receiver?
- Won't operate at distance:

If transmitter operate light kit when up close, but not at 40 feet away, try
Placing the black antenna wire higher , up through ceiling/outside the junction box.



NOTICE!

Your light kit assembly must meet the following requirements.
Electrical rating: 120V / 60 Hz,
MAX , light watts:300-(incandescent and Halogen lamp only).

Litex Industries, Inc.
2002 Ave. R
Grand Prairie, TX. 75050
CUSTOMER SERVICE: 1-800-527-1292

Notice: The changes or modifications not expressly approved by the party responsible for compliance could void the user's authority to operate the equipment.