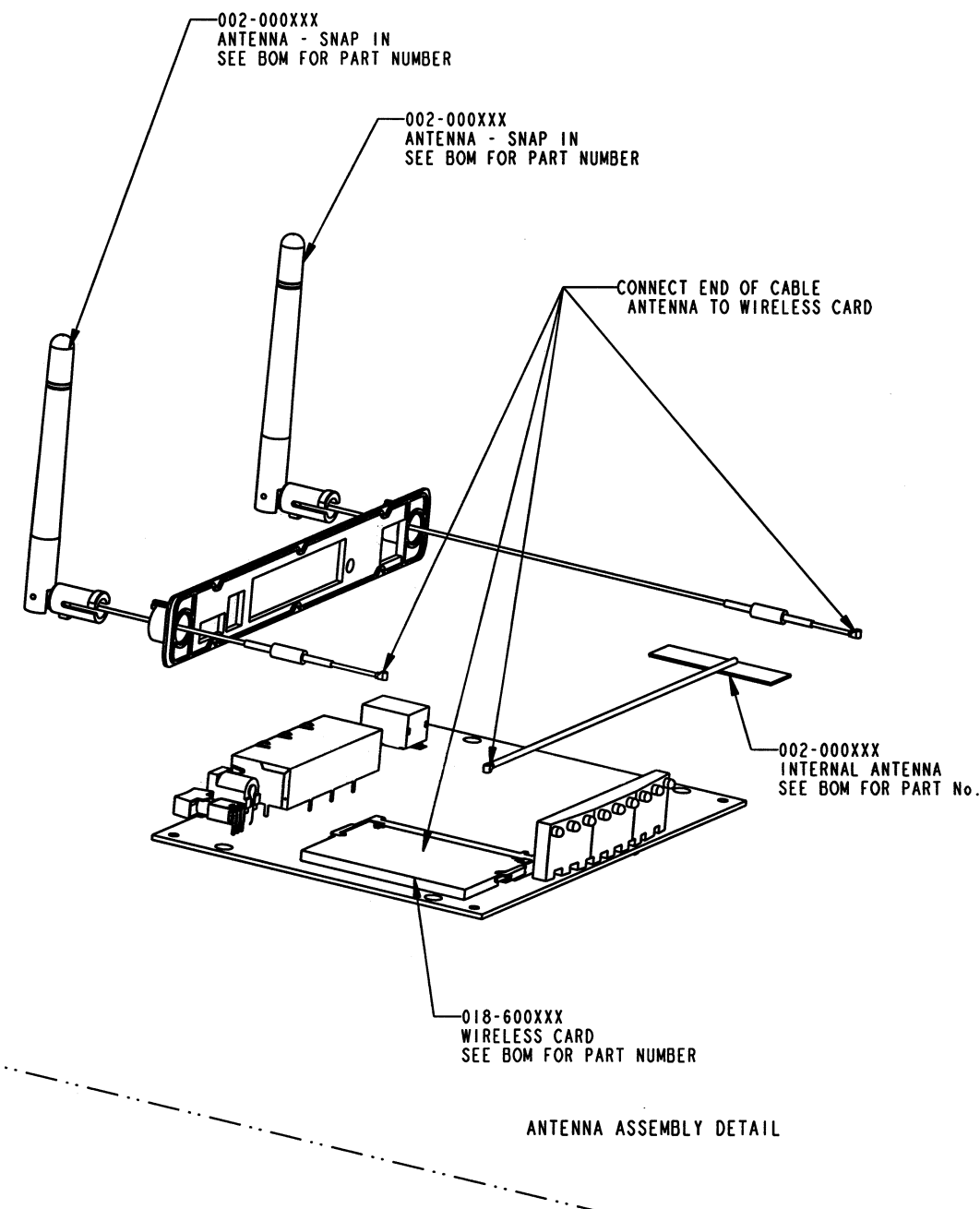
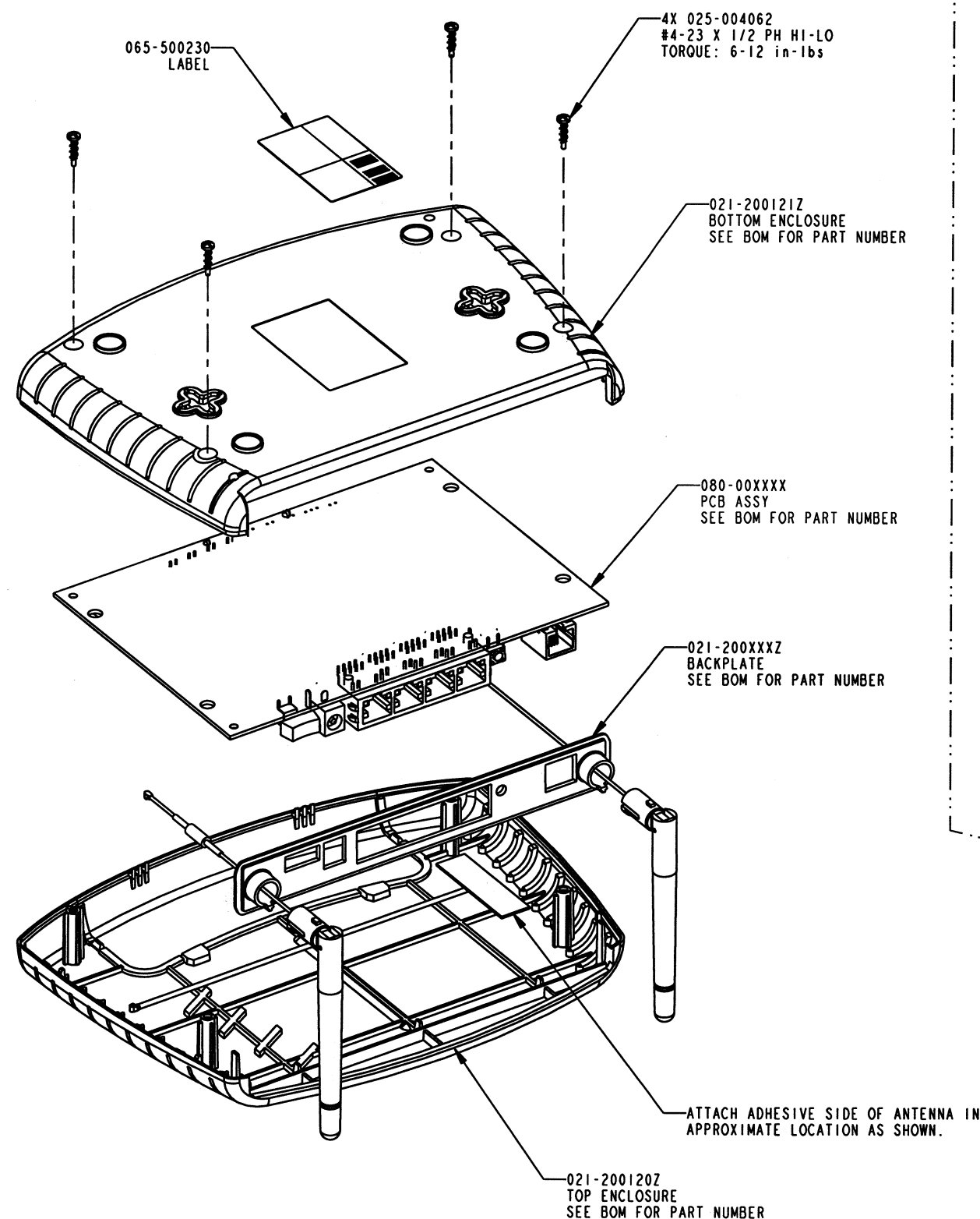


CHANGE NO.	REV	DESCRIPTION	APPD	DATE
ER #3209	A	RELEASE		

A
B
C
D



<small>UNLESS OTHERWISE SPECIFIED DIMENSIONS ARE IN INCHES. TOLERANCES ON 2 PLACE DECIMAL ±.01 3 PLACE DECIMAL ±.005</small>	<small>TITLE</small> FINAL ASSEMBLY REF DWG - VERSALINK SNAP ANTENNAS				
	<small>SCALE</small> 0.750	<small>DRAWING SIZE</small> C	<small>SHT 1 OF 1</small>		
	<small>DRAWN</small> JD	<small>DATE</small> 1-16-06	<small>094-100784</small>		
	<small>CHK'D</small>	<small>DATE</small>	<small>REV</small> A		
<small>APP'D</small>	<small>DATE</small>				

A
B
C
D