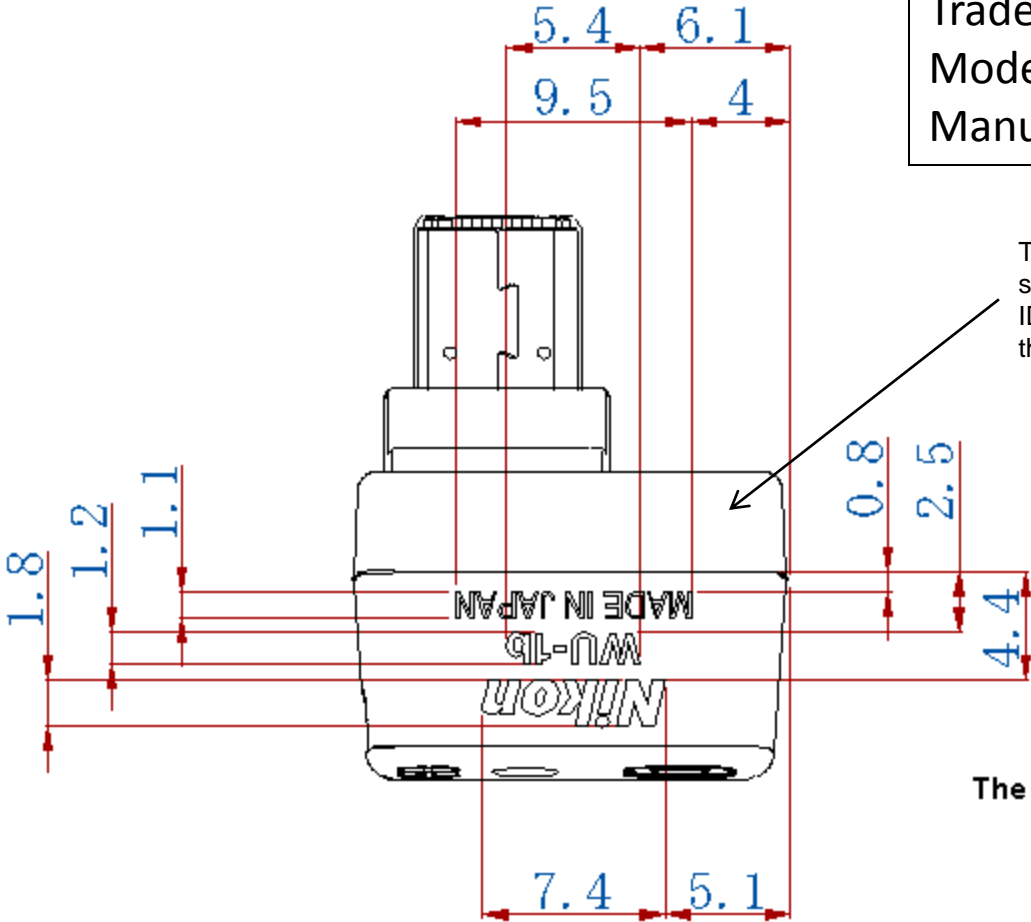
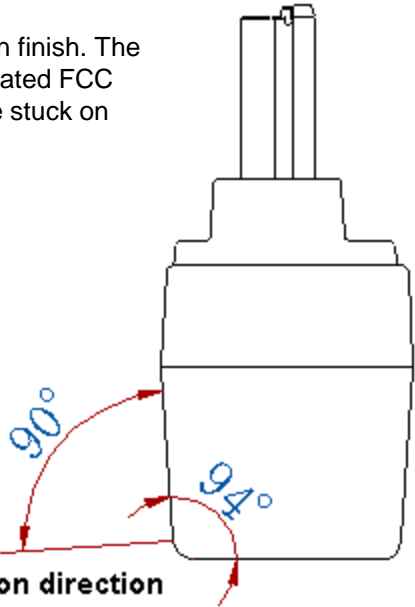


WU-1b Label Design

Trade name: Nikon
Model name: WU-1b
Manufacture country: MADE IN JAPAN



This surface is a grain finish. The seal label which indicated FCC ID Number cannot be stuck on this surface.



The printing projection direction

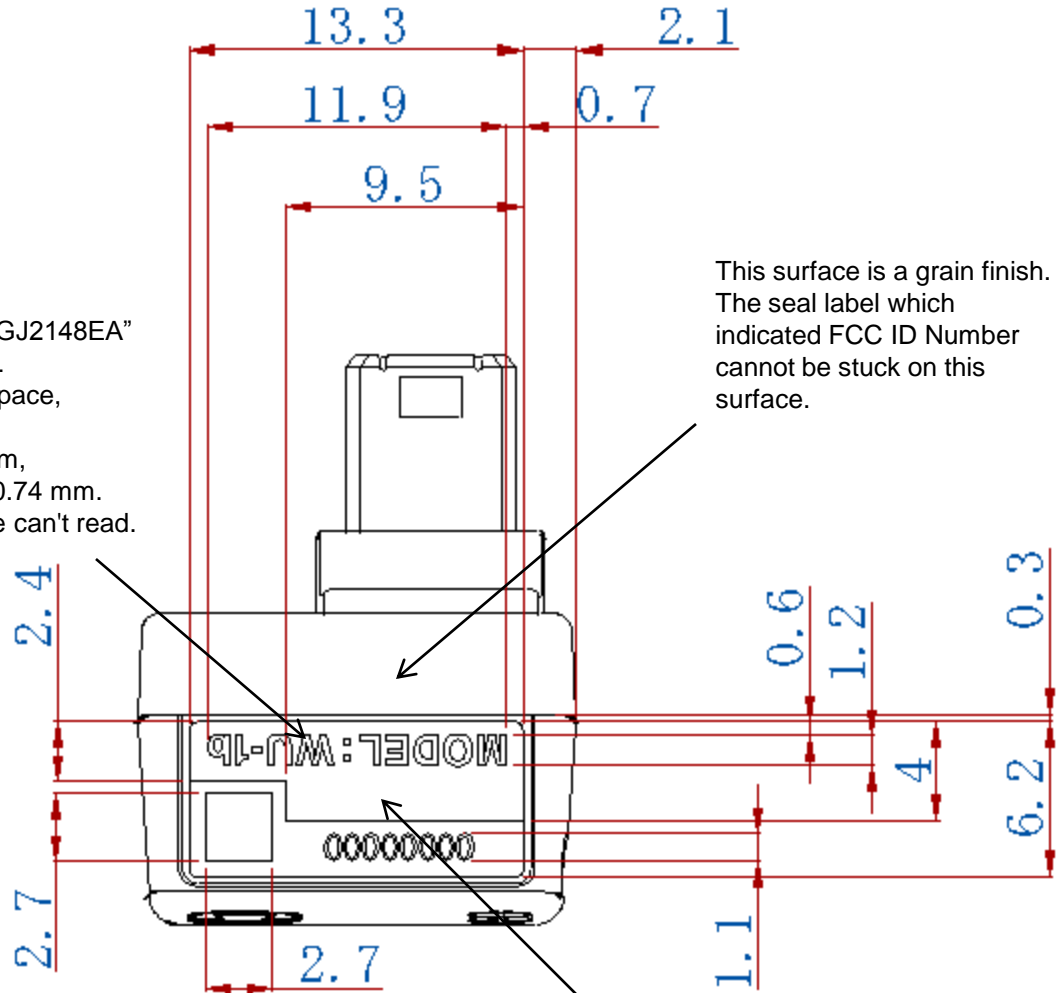
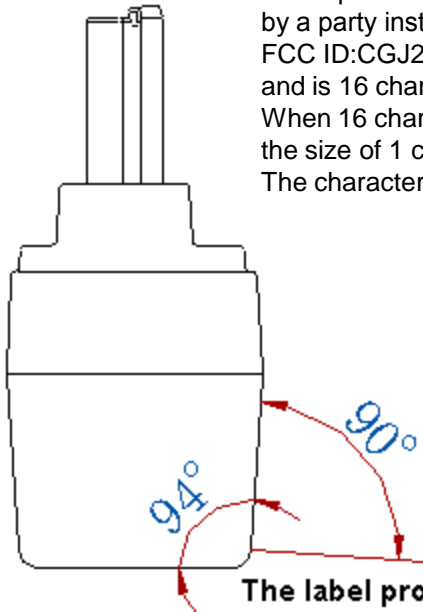
WU-1b Label Design

To FCC

S/N:00000000(example)
Model name:WU-1b

Since product size is small,
FCC ID is posted to a manual.

It isn't possible to mention "FCC ID:CGJ2148EA" by a party instead of "MODEL:WU-1b".
FCC ID:CGJ2148EA will leave white space, and is 16 character.
When 16 character is put in the 11.9mm, the size of 1 character will be at most 0.74 mm.
The character size is too small, and we can't read.

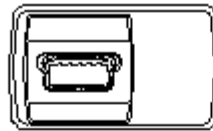


This surface is a grain finish.
The seal label which indicated FCC ID Number cannot be stuck on this surface.

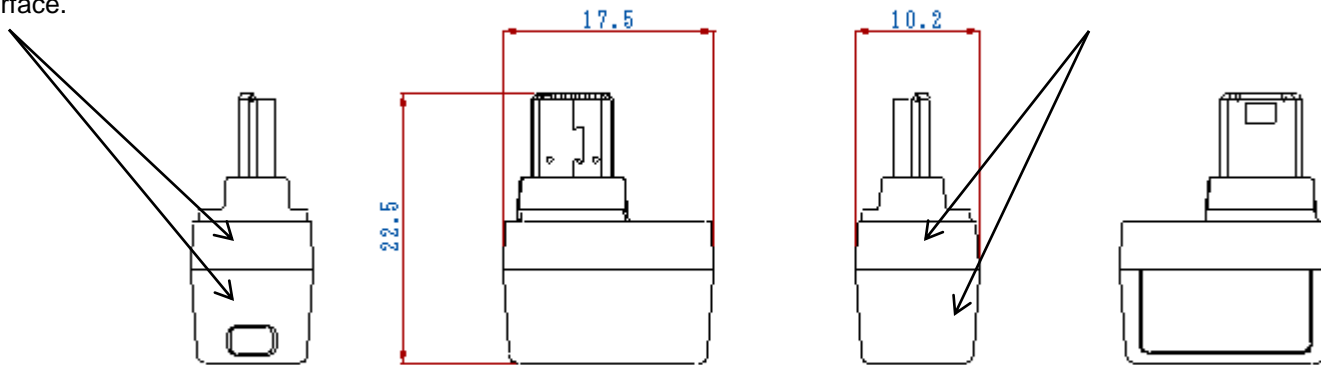
There is no space which indicates FCC ID:CGJ2148EA.

WU-1b Outlook

This surface is a grain finish. The seal label which indicated FCC ID Number cannot be stuck on this surface.



This surface is a grain finish. The seal label which indicated FCC ID Number cannot be stuck on this surface.



This field has the lens for LED, the WPS button, and a hole for straps. There is no space which indicates FCC ID:CGJ2148EA.